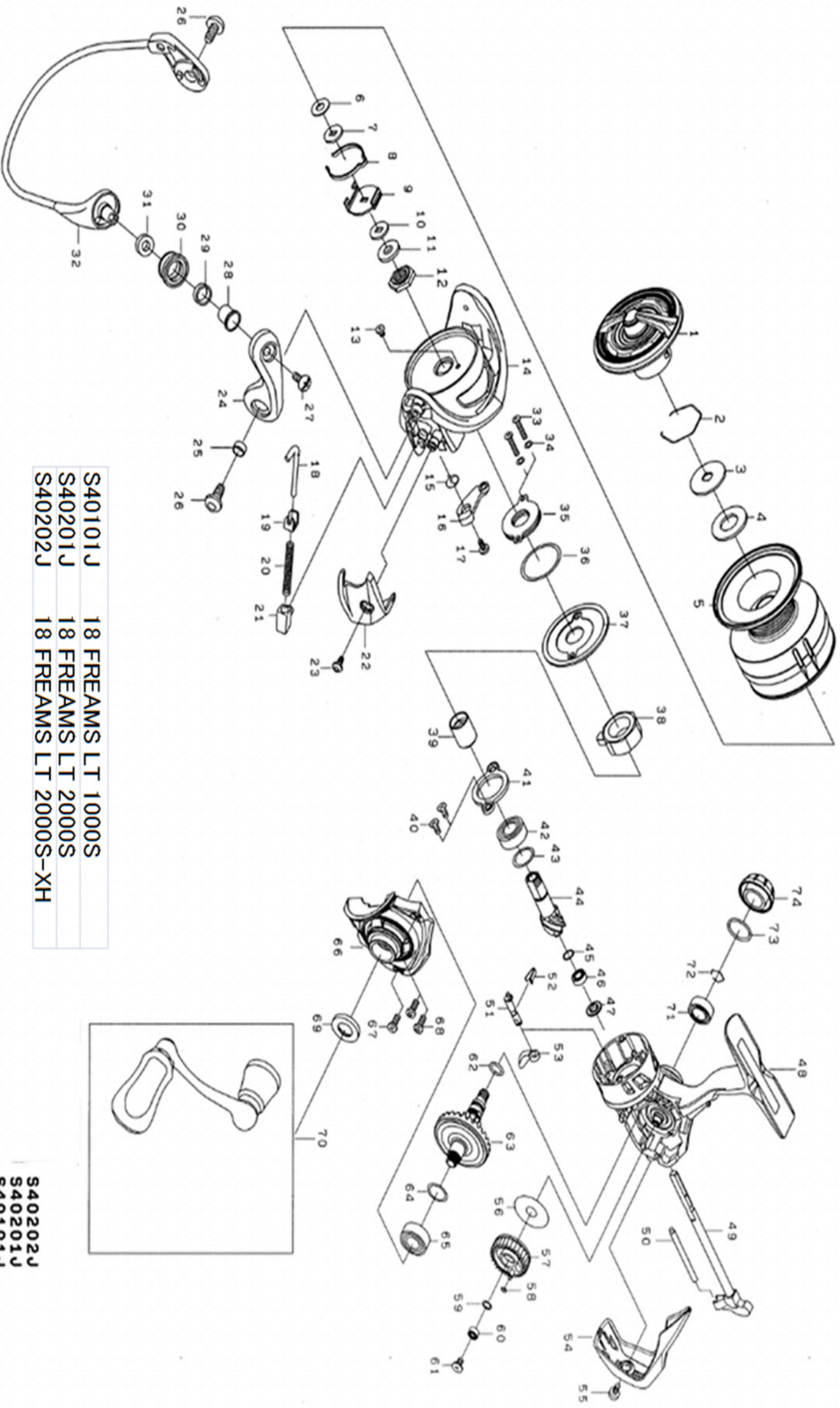




18 FREAMS LT 2000S

Feel Alive.

Please quote by part number, not key number when ordering.
spares@daiwaaustralia.com.au PH: (02) 8644 8644



S40101J	18 FREAMS LT 1000S
S40201J	18 FREAMS LT 2000S
S40202J	18 FREAMS LT 2000S-XH

S40202J
S40201J
S40101J

REEL NAME	MGFT CODE	KEY NO	PARTS CODE	DESCRIPTION
18 FREAMS LT 2000S	S40201J	1	6Q376801	DRAG KNOB
18 FREAMS LT 2000S	S40201J	2	6Q346101	DRAG RING
18 FREAMS LT 2000S	S40201J	3	6J547001	DRAG DISK WASHER
18 FREAMS LT 2000S	S40201J	4	6J546801	ATD WASHER ASSY (1pack-1 pcs)
18 FREAMS LT 2000S	S40201J	5	6Q406301	SPOOL ASSY (2-5)
18 FREAMS LT 2000S	S40201J	6	6E398000	SPOOL WASHER (A)
18 FREAMS LT 2000S	S40201J	7	6Q348502	SPOOL WASHER (B)
18 FREAMS LT 2000S	S40201J	8	6J525101	CLICK LEAF SPRING
18 FREAMS LT 2000S	S40201J	9	6J546201	CLICK HOLDER
18 FREAMS LT 2000S	S40201J	10	6Q344001	CLICK HOLDER WASHER
18 FREAMS LT 2000S	S40201J	11	6H986901	ROTOR NUT PACKING
18 FREAMS LT 2000S	S40201J	12	6Q177001	ROTOR NUT
18 FREAMS LT 2000S	S40201J	13	6H022701	ROTOR NUT SCREW
18 FREAMS LT 2000S	S40201J	14	6Q139513	ROTOR
18 FREAMS LT 2000S	S40201J	15	6H443301	KICK LEVER SPRING
18 FREAMS LT 2000S	S40201J	16	6Q139601	KICK LEVER ASSY
18 FREAMS LT 2000S	S40201J	17	6H417701	KICK LEVER SCREW
18 FREAMS LT 2000S	S40201J	18	6Q139801	ARM LEVER SHAFT
18 FREAMS LT 2000S	S40201J	19	6H576101	ARM LEVER SHAFT PLATE
18 FREAMS LT 2000S	S40201J	20	6J642801	ARM LEVER SPRING
18 FREAMS LT 2000S	S40201J	21	6Q121501	ARM LEVER SPRING HOLDER
18 FREAMS LT 2000S	S40201J	22	6Q146501	ARM LEVER SPRING COVER
18 FREAMS LT 2000S	S40201J	23	6Q342901	ARM LEVER SPRING COVER SCREW
18 FREAMS LT 2000S	S40201J	24	6Q121611	ARM LEVER
18 FREAMS LT 2000S	S40201J	25	6Q121701	ARM LEVER SCREW COLLAR
18 FREAMS LT 2000S	S40201J	26	6Q343401	ARM LEVER SCREW
18 FREAMS LT 2000S	S40201J	27	6G195602	ROLLER SCREW
18 FREAMS LT 2000S	S40201J	28	6G195501	ROLLER COLLAR (A)
18 FREAMS LT 2000S	S40201J	29	6G220701	ROLLER COLLAR (B)
18 FREAMS LT 2000S	S40201J	30	6J089901	LINE ROLLER
18 FREAMS LT 2000S	S40201J	31	6Q203401	ROLLER COLLAR (C)
18 FREAMS LT 2000S	S40201J	32	6Q139901	BAIL ASSY
18 FREAMS LT 2000S	S40201J	33	6G837101	MAGSEALED PLATE SCREW
18 FREAMS LT 2000S	S40201J	34	63754102	MAGSEALED PLATE SCREW WASHER
18 FREAMS LT 2000S	S40201J	35	6J354401	MAGSEALED PLATE
18 FREAMS LT 2000S	S40201J	36	6J354801	MAGSEALED PLATE O-RING
18 FREAMS LT 2000S	S40201J	37	6Q266601	MAGSEALED CAP
18 FREAMS LT 2000S	S40201J	38	6J388401	ONEWAY CLUTCH
18 FREAMS LT 2000S	S40201J	39	6J001402	CLUTCH RING
18 FREAMS LT 2000S	S40201J	40	6Q126201	PINION BEARING PLATE SCREW
18 FREAMS LT 2000S	S40201J	41	6Q195601	PINION BEARING PLATE
18 FREAMS LT 2000S	S40201J	42	6G467302	PINION BALL BEARING (A)
18 FREAMS LT 2000S	S40201J	43	63758500	PINION BEARING WASHER (A)
18 FREAMS LT 2000S	S40201J	44	6Q375701	PINION GEAR
18 FREAMS LT 2000S	S40201J	45	6H931701	PINION BEARING SPRING WASHER (B)
18 FREAMS LT 2000S	S40201J	46	6H959601	PINION BALL BEARING (B)
18 FREAMS LT 2000S	S40201J	47	6J387701	PINION BEARING (B) COLLAR
18 FREAMS LT 2000S	S40201J	48	6Q374601	BODY ASSY
18 FREAMS LT 2000S	S40201J	49	6Q375301	MAIN SHAFT
18 FREAMS LT 2000S	S40201J	50	6Q119104	OSCILLATING POST (A)
18 FREAMS LT 2000S	S40201J	51	6Q118101	STOPPER CAM
18 FREAMS LT 2000S	S40201J	52	6H697801	STOPPER CAM SPRING
18 FREAMS LT 2000S	S40201J	53	6Q118001	STOPPER LEVER
18 FREAMS LT 2000S	S40201J	54	6Q376201	REAR CAP
18 FREAMS LT 2000S	S40201J	55	6Q342901	REAR CAP SCREW
18 FREAMS LT 2000S	S40201J	56	6H607902	OSCILLATING GEAR WASHER
18 FREAMS LT 2000S	S40201J	57	6Q375201	OSCILLATING GEAR
18 FREAMS LT 2000S	S40201J	58	6H770601	OSCILLATING GEAR O-RING
18 FREAMS LT 2000S	S40201J	59	6H129200	OSCILLATING GEAR BALL BEARING WASHER
18 FREAMS LT 2000S	S40201J	60	6G469005	OSCILLATING GEAR BALL BEARING
18 FREAMS LT 2000S	S40201J	61	6Q126101	OSCILLATING GEAR SCREW
18 FREAMS LT 2000S	S40201J	62	6G670501	DRIVE GEAR O-RING
18 FREAMS LT 2000S	S40201J	63	6Q375801	DRIVE GEAR
18 FREAMS LT 2000S	S40201J	64	63758500	DRIVE GEAR BALL BEARING WASHER
18 FREAMS LT 2000S	S40201J	65	6G467302	DRIVE GEAR BALL BEARING (A)
18 FREAMS LT 2000S	S40201J	66	6Q376001	BODY COVER
18 FREAMS LT 2000S	S40201J	67	6Q342701	BODY COVER SCREW(A)
18 FREAMS LT 2000S	S40201J	68	6Q342601	BODY COVER SCREW(B)
18 FREAMS LT 2000S	S40201J	69	6J100201	HANDLE PACKING
18 FREAMS LT 2000S	S40201J	70	6Q406601	HANDLE ASSY
18 FREAMS LT 2000S	S40201J	71	6G522706	DRIVE GEAR BALL BEARING (B)
18 FREAMS LT 2000S	S40201J	72	6G472401	DRIVE GEAR BALL BEARING (B) RING
18 FREAMS LT 2000S	S40201J	73	6G162401	HANDLE CAP O-RING
18 FREAMS LT 2000S	S40201J	74	6Q345101	HANDLE CAP
18 FREAMS LT 2000S	S40201J	200	6Q344801	HANDLE KNOB
18 FREAMS LT 2000S	S40201J	201	6G720001	HANDLE KNOB BEARING
18 FREAMS LT 2000S	S40201J	202	6B679308	HANDLE KNOB SCREW
18 FREAMS LT 2000S	S40201J	203	6Q345001	HANDLE KNOB CAP