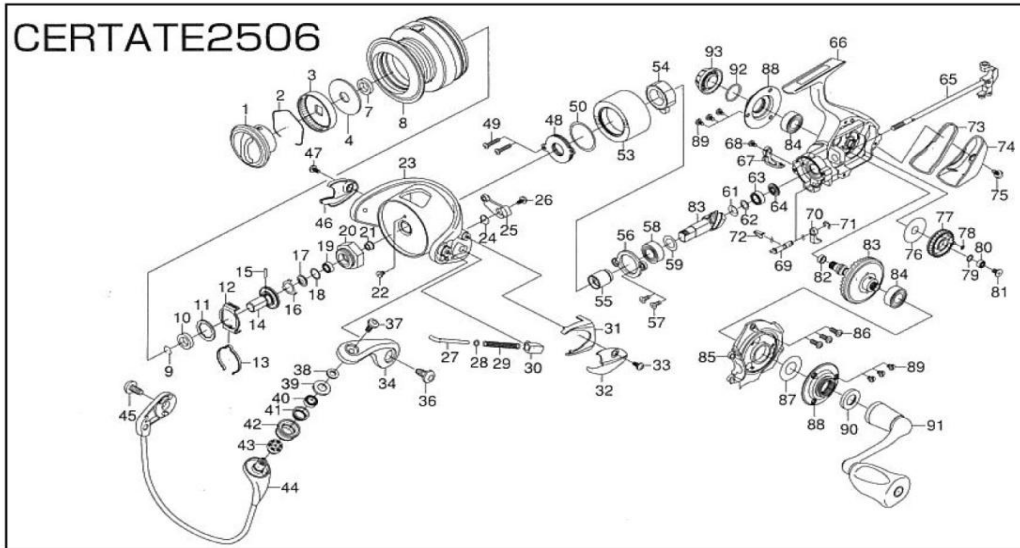


10 CERTATE 2506



KEY NO.	PART NO.	PART DESCRIPTION	KEY NO.	PART NO.	PART DESCRIPTION
1	6H418201	DRAG KNOB	48	6H532601	MAGNET ASSEMBLY
2	6F710001	DRAG RETAINER	49	6H413201	SCREW
3	6F895301	CLICK PLATE	50	6H413001	O RING
4	6F732001	DRAG WASHER	53	6H519301	CAP
7	6H416301	COLLAR	54	6H412601	ROLLER CLUTCH
8	6H418901	SPOOL ASSEMBLY	55	6H412501	SPACING SLEEVE
9	6G472401	RETAINER	56	6H411501	BEARING PLATE
10	6H416301	SPOOL METAL COLLAR	57	6E134501	SCREW
11	6H416201	SPOOL WASHER	58	6G535101	BEARING
12	6H416001	CLICK HOLDER	59	6H411401	BEARING WASHER
13	6H416101	CLICK LEAF SPRING	61	6H411301	SPRING WASHER
14	6H415901	SPOOL METAL	62	6E096501	WASHER
15	6G375001	PIN	63	6G538001	BEARING
16	6H415801	NUT PLATE	64	6H411201	PINION COLLAR
17	6H415701	PACKING	65	6H410601	MAIN SHAFT
18	6G466103	WASHER	66	6H409801	BODY
19	6G466201	BEARING	67	6H412201	BAIL KICK COLLAR
20	6H415601	ROTOR NUT	68	6H455401	SCREW
21	6H415501	COLLAR	69	6H410001	STOPPER CAM
22	6H022701	SCREW	70	6H410101	STOPPER LEVER
23	6H413501	ROTOR	71	6B339801	RETAINER
24	6H413601	KICK LEVER SPRING	72	6H410201	CAM LEAF SPRING
25	6H413701	KICK LEVER	73	6H413301	REAR CAP PACKING
26	6H417701	SCREW	74	6H413401	REAR COVER
27	6H414101	SHAFT	75	6H512401	SCREW
28	6H576101	PLATE	76	6H410301	WASHER
29	6H545701	SPRING	77	6H410401	OSC. GEAR
30	6H414301	HOLDER	78	6G683301	O RING
31	6H414001	COVER (A)	79	6H129200	WASHER
32	6H414601	COVER (B)	80	6G469002	BEARING
33	6H431301	SCREW	81	6G940402	SCREW
34	6H414401	BAIL ARM	82	6H455601	DRIVE GEAR RING
36	6H431201	SCREW	83	6Z019519	GEAR SET
37	6H431401	ROLLER SCREW	84	6G467302	BEARING
38	6H415401	COLLAR (A)	85	6H412301	BODY COVER
39	6H038301	PACKING	86	6H431001	SCREW
40	6G686902	LINE ROLLER BEARING	87	6H412401	WASHER
41	6H415301	COLLAR (B)	88	6H412102	COVER
42	6G686701	LINE ROLLER	89	6F623305	SCREW
43	6H415201	COLLAR (A)	90	6H417101	HANDLE PACKING
44	6H414701	BAIL WIRE	91	6H416901	HANDLE ASSEMBLY
45	6H431201	SCREW	92	6G806001	O RING
46	6H415101	COVER	93	6H417201	HANDLE SCREW CAP
47	6H431301	SCREW			