

# BULOVA COMPUTRON



## FEATURES

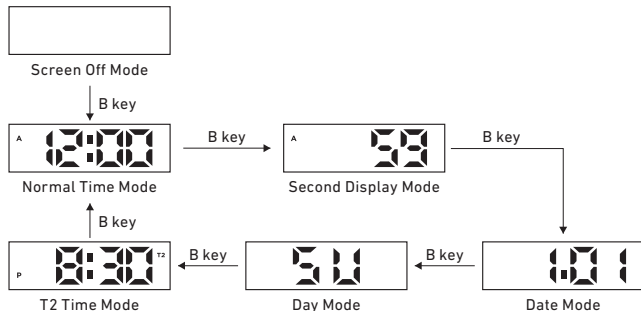
- » Four digits LED display: hour, minute, second, month, date, day.
- » 12/24 hour format.
- » 81 years fully automatic calendar (from 2019 to 2099).
- » Dual time.



Model: 96C139, 97C110, 98C135

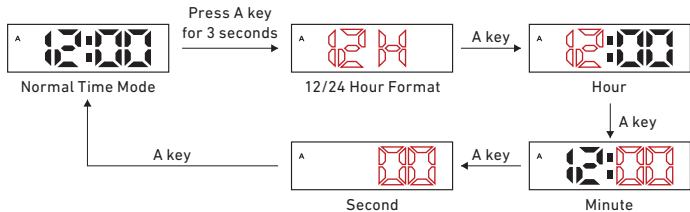
## OPERATION

- » In the Screen Off Mode, press B key to display the normal time first.
- » In Normal Time Mode, press B to shift the display mode: hour, minute, second, date, day and T2 (dual zone) time.
- » If there is no key operation for 5 seconds, it will enter into the Screen Off Mode automatically.



## TIME SETTING

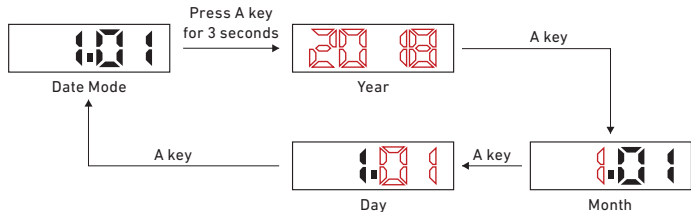
» In the Normal Time Mode, press (using the tip of a pen or other sharp object) and hold A key for 3 seconds to enter the Setting Mode, and then press the A key to move the flashing item as follows:



- » When 12 or 24 flashes, press B key to select 12 or 24 hour format.
- » Press B key to increase value, press and hold B key to increase the value quickly.
- » When setting seconds, press B key to reset the seconds to "00".
- » In setting mode, if there is no key operation for 10 seconds, it will return to the Normal Time Mode.

## DATE SETTING

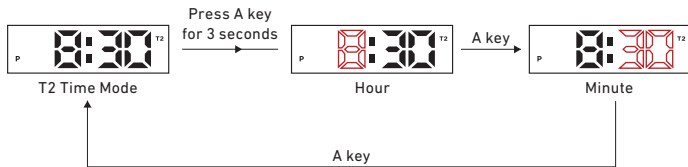
» In the date mode, press and hold the A key for 3 seconds to enter the setting mode, and then press A key to move flashing item as follows:



- » Press B key to increase the value, press and hold B key to increase the value quickly.
- » In the setting mode, if there is no key operation for 10 seconds, it will return to Date Mode.

## T2 TIME SETTING

- » In the T2 Time Mode, press and hold the A key for 3 seconds to enter the setting, and then press the A key to move the flashing item as follows:



- » Press B key to increase the value, press and hold B key to increase the value quickly.
- » In the setting mode, if there is no key operation for 10 seconds, it will return to T2 Time Mode.

## NOTES

- » Pressing A key and B key at the same time can display all the LEDs. If keys are not pressed, the display will return to the original mode.
  - » Normal time default: AM12:00 00
  - » Date default: January 1st, 2019
  - » T2 time default: AM6:00 00

- » The day is shown as follows:



- » In 12 Hour Format AM/PM time is distinguished by A and P as follows:



BULOVA