



Outdoor Cabinetry
Semi-Custom

11 Colors - 4 Door Styles



Ships in 7-10 Days
Factory Built to Order

SPECIFICATION GUIDE

TABLE OF CONTENTS

The WeatherStrong Difference.....	2-3
Door Styles	4-5
Finishes & Features	6
Construction Options	7
Cabinet Dimensions	8
Wall Cabinets	
Open Back Wall Cabinets.....	9-13
Full Back Wall Cabinets	14-18
Base Cabinets	
Open Back Cabinets	19-27
Island Back Base Cabinets.....	28-36
Island Back Side Burner Cabinets	37
Island Back Grill Cabinets.....	38-39
Open Back Utility Cabinets	40-41
Matching End Panels and Replacement Grill Drawer Fronts.....	42
Accessories.....	43-44
Ensembles	45-48
Decorative Hardware.....	49
Warranty	50

Factory Built: Weatherstrong outdoor cabinets are built to order and arrive ready to be installed. The cabinet boxes are constructed from a waterproof ¾" All-Weatherboard® composite material, using precision dowels and a solvent-free adhesive that provides excellent bond strength.

Limitations: All Designer Solid and Designer Woodgrain finishes are recommended for indoor wet or dry areas such as laundry rooms and garages or for any outdoor space where surface temperatures do not exceed 220° F.

Salt Water Environments: Oceanfront environments with salt air and sea spray will require regular maintenance and cleaning to prevent rust from forming on the handles, hinges and drawer runners. Clean stainless steel surfaces several times a month to keep the chemical reaction from the salt from gaining a foothold on the hardware. With regular cleaning, your cabinets will look like new for many years. To achieve maximum corrosion and stain resistance, the surface of the stainless steel must be kept clean.

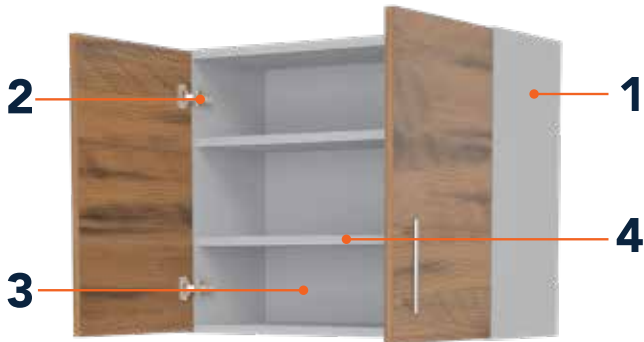
Installation to Exterior Walls: WeatherStrong can be installed indoors or out. To fasten cabinets to stucco, brick, or concrete block walls, stainless steel Tapcon® fasteners are recommended (3/16" x 2¾"), sold separately. For base cabinets two fasteners are recommended, and four are recommended for wall cabinet installations.

Countertops: Granite and other natural stone materials are ideal with WeatherStrong Cabinets. Be sure to consult the supplier's recommended maintenance practices to keep your countertop looking its best.

THE WEATHERSTRONG DIFFERENCE

Weatherstrong Outdoor Cabinetry boxes are manufactured in the U.S.A. using a waterproof ¾" thick All-Weatherboard® composite material. Cabinet doors and drawer fronts are made from High Density Polyethylene (HDPE) in a selection

of styles and finishes. Cabinets are factory built to order in a wide variety of sizes and configurations, making Weatherstrong cabinets ideal for outdoor kitchens, wet rooms and garage applications.



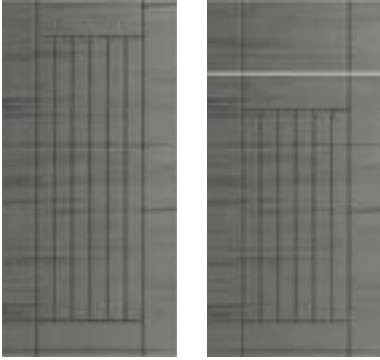
1	Cabinets	Cabinet boxes are constructed from ¾" thick All-Weatherboard® composite material. Exposed sides and island backs require matching cover panels.
2	Hinges	Soft close 6-way adjustable stainless steel hinges
3	Back Panels	Wall cabinets are available with an Open Back, or a ¾" thick Full Height Back
4	Adjustable Shelves	¾" thick All-Weatherboard® composite material. Full depth adjustable shelves in Wall & Base cabinets
5	Back Panels	Base cabinets are available with an Open Back, or a ¾" thick Full/Island Back
6	Drawer Glides	Soft close, side mounted, ball bearing stainless steel drawer runners
7	Adjustable Legs	Base cabinets are shipped fully assembled, ready to be installed on 'Sure Level' adjustable polymer legs (included). Each leg rated for 330lb static load. Snap on matching toe kick is optional for on-site modification and installation. Decorative stainless steel legs also available as an accessory.
8	Drawer Box	¾" thick All-Weatherboard® composite material construction: four sides and bottom panel. 6" high top drawer front with 3" high drawer box. 11-¾" high Deep Drawer front with 7" high drawer box.

What is All-Weatherboard® composite material? All-Weatherboard® composite material is a strong moisture, rot and termite resistant composite material, designed for outdoor applications. Phenolic resins, zinc borate and wax are combined with wood fibers in a patented manufacturing process. The surface of All-Weatherboard® composite material is finished with a durable decorative laminate and all exposed cabinet edges are sealed with a waterproof PVC edging.

Exposed Sides & Backs: Cabinet sides and backs that will be exposed to direct sunlight and other weather elements MUST be covered by a matching end panel in coordinating High Density Polyethylene (HDPE). Failure to install these protective panels will void the cabinet warranty.

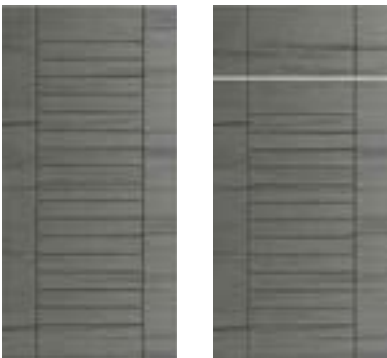
Clean Up: Wash WeatherStrong with water and a soft cloth or sponge. A mild dishwashing liquid can be used if needed. A soft bristle brush may be used if needed.

DOOR STYLES



DAYTONA

- 5/8" thick flat panel door with a with an extended stile cottage-inspired routed center panel design in a durable & color through High Density Polyethylene finish
- Fully concealed stainless steel hinges
- Side mounted, ball bearing stainless steel drawer runners
- Decorative hardware sold separately
- Lifetime Limited Warranty

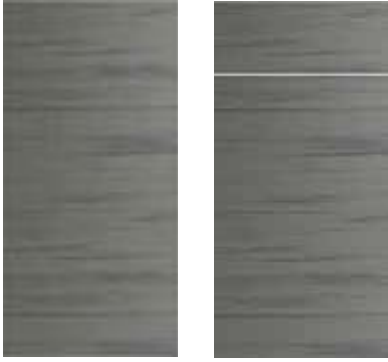


TAMPA

- 5/8" thick flat panel door with a with an extended stile louver-inspired routed center panel design in a durable & color through High Density Polyethylene finish
- Fully concealed stainless steel hinges
- Side mounted, ball bearing stainless steel drawer runners
- Decorative hardware sold separately
- Lifetime Limited Warranty

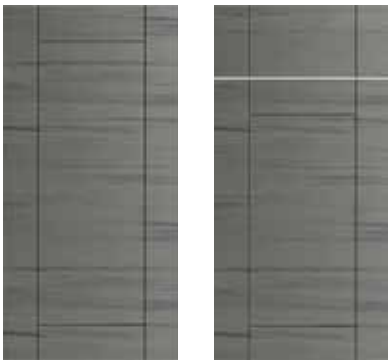


DOOR STYLES



MIAMI

- Designer Solid and Designer Woodgrain finishes have a 5/8" thick flat panel door in a durable & color through High Density Polyethylene finish
- Fully concealed stainless steel hinges
- Side mounted, ball bearing stainless steel drawer runners
- Decorative hardware sold separately
- Lifetime Limited Warranty



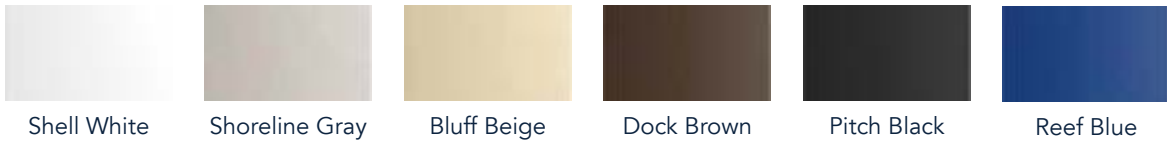
SANIBEL

- 5/8" thick flat panel door with a with an extended stile shaker-inspired routed center panel design in a durable & color through High Density Polyethylene finish
- Fully concealed stainless steel hinges
- Side mounted, ball bearing stainless steel drawer runners
- Decorative hardware sold separately
- Lifetime Limited Warranty

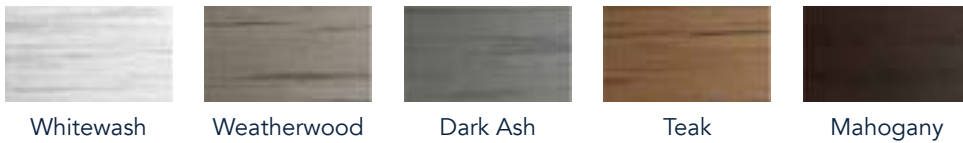


FINISHES & HARDWARE

DESIGNER SOLID DOOR FINISHES - Lifetime Limited Warranty



DESIGNER WOODGRAIN DOOR FINISHES - Lifetime Limited Warranty



All Designer Solid and Designer Woodgrain finishes are recommended for indoor wet or dry areas such as laundry rooms and garages or for any outdoor space where surface temperatures do not exceed 220° F.

CABINET BOXES AND DOOR FINISHES

All styles and finishes feature a gray All-Weatherboard® composite material cabinet box. Matching End Panels and Island Panels MUST be applied to any cabinet sides and backs that will be exposed to the elements and these will match the door finish.



Whitewash Cabinet
Gray All-Weatherboard®
composite material
Cabinet Box



Teak Cabinet
Gray All-Weatherboard®
composite material
Cabinet Box



Mahogany Cabinet
Gray All-Weatherboard®
composite material
Cabinet Box



Matching End Panels
See pg 42 for available panels

HARDWARE



Soft Close, 6-way
adjustable Stainless
Steel Hinges



Soft Close, Side Mount
Ball Bearing Stainless
Steel Runners



Sure Level Adjustable
Polymer Legs

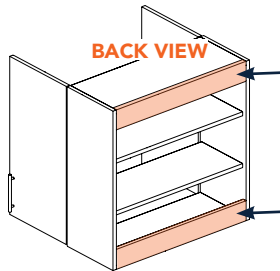


Optional Stainless Steel
Adjustable Legs

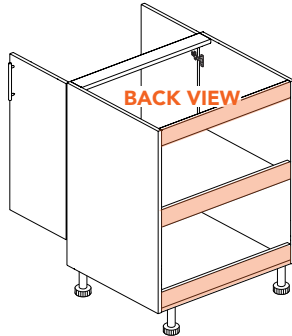
CONSTRUCTION OPTIONS

OPEN BACK CABINETS

WALL CABINETS



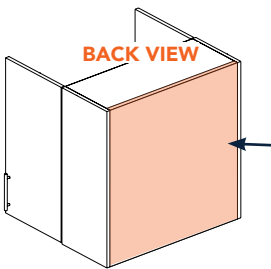
BASE CABINETS



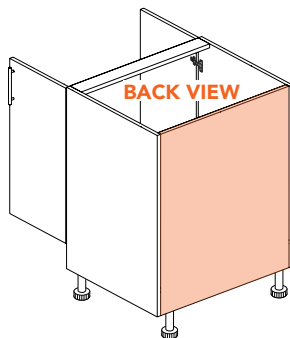
Open Back Wall Cabinets feature an open back design with two $\frac{3}{4}$ " thick and 3" high All-Weatherboard® composite material installation rails (top and bottom) for secure wall mounting. Open Back Base Cabinets feature an open back design with three $\frac{3}{4}$ " thick and 3" high All-Weatherboard® composite material installation rails (top, middle and bottom) for secure wall mounting. Open Back cabinets are more affordable and must be used in conjunction with Bar Riser Kits to create freestanding raised bar counters.

FULL BACK / ISLAND BACK

WALL CABINETS



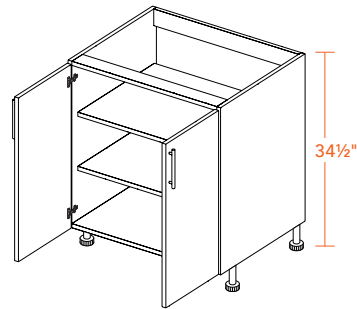
BASE CABINETS



Full Back wall cabinets and Island Back base cabinets feature a full-height $\frac{3}{4}$ " thick enclosed All-Weatherboard® composite material back panel. Island Back base cabinets can be installed as a freestanding island, or as a peninsula extending from a wall.

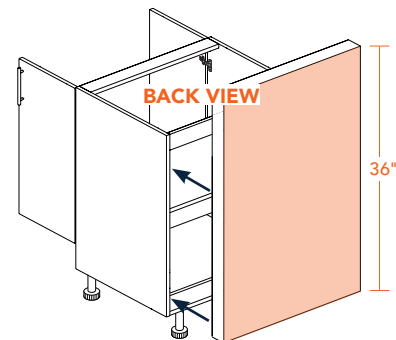
PLEASE NOTE: Freestanding Islands and peninsulas must be secured to the floor

BASE CABINETS



Base cabinet construction features a 30" high cabinet box which must be mounted on-site on $4\frac{1}{2}$ " high 'Sure Level' adjustable polymer legs. Legs are adjustable from 4" to $5\frac{1}{2}$ " high. Optional stainless steel adjustable legs are available as an accessory. Optional snap on matching toe kick panels are available 6" high x 96" long, for site modification and installation.

BAR RISER KIT



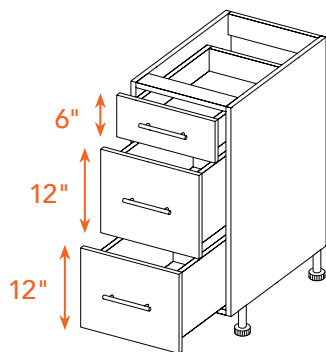
Bar Risers are 4" deep by 36" high and are available in 3" width increments from 12" to 48". When securely attached to the back of a $34\frac{1}{2}$ " high Open Back base cabinet, the top of the riser will be approximately $40\frac{1}{2}$ " from the floor. These field installed kits feature a full-height $\frac{3}{4}$ " thick enclosed All-Weatherboard® composite material back panel and can only be paired with the open back base cabinets. These kits will turn almost any base cabinet into a two-level bar.

PLEASE NOTE: Exposed cabinet sides and backs MUST be covered by a matching end/island panel

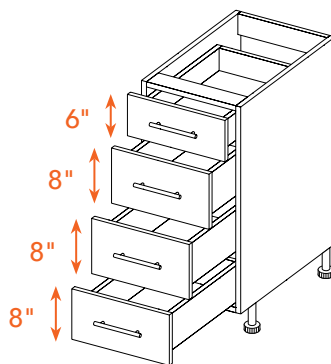
DRAWER FRONT & DRAWER BOX DIMENSIONS

BASE CABINETS WITH DRAWERS			
Cabinet Code	Shallow Drawer 6" High Fronts	Medium Drawer 8" High Fronts	Deep Drawer 12" High Fronts
B3D	1	0	2
B4D	1	3	0
B	1	0	0

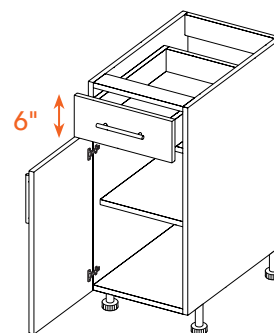
B3D 3-Drawer Base



B4D 4-Drawer Base



B Base Door & Drawer



DRAWER BOX INTERIOR DIMENSIONS

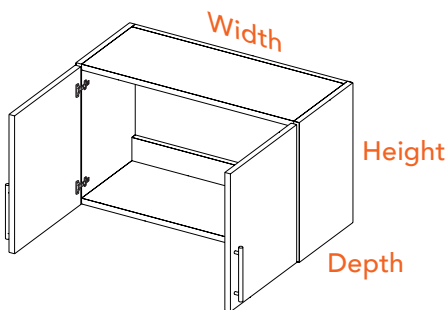
Cabinet (Open Back & Island Back)	Shallow Drawer			Medium Drawer			Deep Drawer		
	Height	Depth	Width	Height	Depth	Width	Height	Depth	Width
B12, B12-1T, B12-2T, B1227, B1227-1T, B1227-2T, B3D12, B3D1227, B4D12, B4D1227	3-3/4"	20-1/4"	8"	5-1/4"	20-1/4"	8"	7-1/4"	20-1/4"	8"
B15, B15-1T, B15-2T, B1527, B1527-1T, B1527-2T, B3D15, B3D1527, B4D15, B4D1527	3-3/4"	20-1/4"	11"	5-1/4"	20-1/4"	11"	7-1/4"	20-1/4"	11"
B18, B18-1T, B18-2T, B1827, B1827-1T, B1827-2T, B3D18, B3D1827, B4D18, B4D1827	3-3/4"	20-1/4"	14"	5-1/4"	20-1/4"	14"	7-1/4"	20-1/4"	14"
B21, B21-1T, B21-2T, B2127, B2127-1T, B2127-2T, B3D21, B3D2127, B4D21, B4D2127	3-3/4"	20-1/4"	17"	5-1/4"	20-1/4"	17"	7-1/4"	20-1/4"	17"
B24, B24-1T, B24-2T, B2427, B2427-1T, B2427-2T, B3D24, B3D2427, B4D24, B4D2427	3-3/4"	20-1/4"	20"	5-1/4"	20-1/4"	20"	7-1/4"	20-1/4"	20"
B27, B27-1T, B27-2T, B2727, B2727-1T, B2727-2T, B3D27, B3D2727, B4D27, B4D2727	3-3/4"	20-1/4"	23"	5-1/4"	20-1/4"	23"	7-1/4"	20-1/4"	23"
B30, B30-1T, B30-2T, B3027, B3027-1T, B3027-2T, B3D30, B3D3027, B4D30, B4D3027	3-3/4"	20-1/4"	26"	5-1/4"	20-1/4"	26"	7-1/4"	20-1/4"	26"
B33, B33-1T, B33-2T, B3327, B3327-1T, B3327-2T, B3D33, B3D3327, B4D33, B4D3327	3-3/4"	20-1/4"	29"	5-1/4"	20-1/4"	29"	7-1/4"	20-1/4"	29"
B36, B36-1T, B36-2T, B3627, B3627-1T, B3627-2T, B3D36, B3D3627, B4D36, B4D3627	3-3/4"	20-1/4"	30"	5-1/4"	20-1/4"	30"	7-1/4"	20-1/4"	30"

OPEN BACK WALL CABINETS

Open Back Wall Cabinet Coding				
W 30 09 15 OB				
W	30	09	15	OB
Cabinet Code	Width	Depth	Height	Open Back

Double Door Bridge

- 3/4" All-Weatherboard® composite material cabinet construction
- No interior shelves included
- No back panel, two 3" high mounting rails
- Available in all door styles and finishes
- Stainless steel handles sold separately



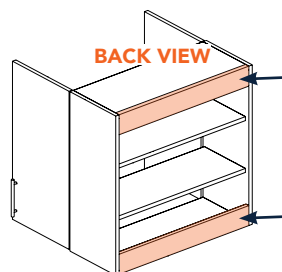
	Item Number	Width	Depth	Height	Back
15" High	W300915OB	30	9	15	Open
	W3015OB	30	12	15	Open
	W301515OB	30	15	15	Open
	W330915OB	33	9	15	Open
	W3315OB	33	12	15	Open
	W331515OB	33	15	15	Open
	W360915OB	36	9	15	Open
	W3615OB	36	12	15	Open
	W361515OB	36	15	15	Open

18" High	W300918OB	30	9	18	Open
	W3018OB	30	12	18	Open
	W301518OB	30	15	18	Open
	W330918OB	33	9	18	Open
	W3318OB	33	12	18	Open
	W331518OB	33	15	18	Open
	W360918OB	36	9	18	Open
	W3618OB	36	12	18	Open
	W361518OB	36	15	18	Open

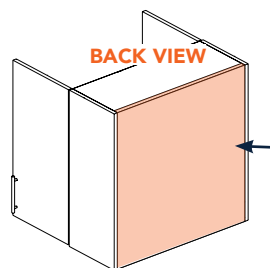
24" High	W300924OB	30	9	24	Open
	W3024OB	30	12	24	Open
	W301524OB	30	15	24	Open
	W330924OB	33	9	24	Open
	W3324OB	33	12	24	Open
	W331524OB	33	15	24	Open
	W360924OB	36	9	24	Open
	W3624OB	36	12	24	Open
	W361524OB	36	15	24	Open

Design Tip: Open Back Wall cabinets are the most cost effective option. If you want a completely seamless and clean inside, the full back option is recommended.

Open Back Wall Cabinets



Full Back Wall Cabinets

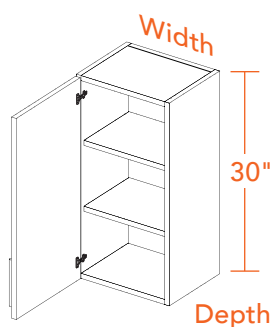


OPEN BACK WALL CABINETS

30" High Single Door

SPECIFY RIGHT or LEFT HINGED

- 2 full depth adjustable shelves
- 3/4" All-Weatherboard® composite material cabinet construction
- No back panel, two 3" high mounting rails
- Available in all door styles and finishes
- Stainless steel handles sold separately

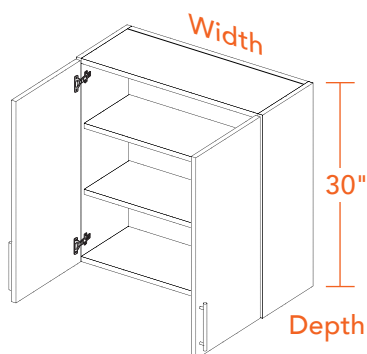


30" High

Item Number	Width	Depth	Height	Back
W120930LOB	12	9	30	Open
W120930ROB	12	9	30	Open
W1230LOB	12	12	30	Open
W1230ROB	12	12	30	Open
W121530LOB	12	15	30	Open
W121530ROB	12	15	30	Open
W150930LOB	15	9	30	Open
W150930ROB	15	9	30	Open
W1530LOB	15	12	30	Open
W1530ROB	15	12	30	Open
W151530LOB	15	15	30	Open
W151530ROB	15	15	30	Open
W180930LOB	18	9	30	Open
W180930ROB	18	9	30	Open
W1830LOB	18	12	30	Open
W1830ROB	18	12	30	Open
W181530LOB	18	15	30	Open
W181530ROB	18	15	30	Open
W210930LOB	21	9	30	Open
W210930ROB	21	9	30	Open
W2130LOB	21	12	30	Open
W2130ROB	21	12	30	Open
W211530LOB	21	15	30	Open
W211530ROB	21	15	30	Open

30" High Double Door

- 2 full depth adjustable shelves
- 3/4" All-Weatherboard® composite material cabinet construction
- No back panel, two 3" high mounting rails
- Available in all door styles and finishes
- Stainless steel handles sold separately



30" High

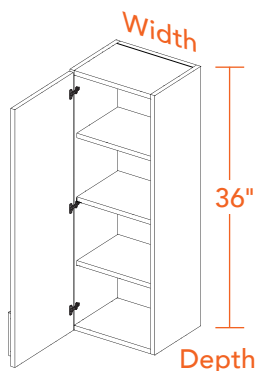
Item Number	Width	Depth	Height	Back
W240930OB	24	9	30	Open
W2430OB	24	12	30	Open
W241530OB	24	15	30	Open
W270930OB	27	9	30	Open
W2730OB	27	12	30	Open
W271530OB	27	15	30	Open
W300930OB	30	9	30	Open
W3030OB	30	12	30	Open
W301530OB	30	15	30	Open
W330930OB	33	9	30	Open
W3330OB	33	12	30	Open
W331530OB	33	15	30	Open
W360930OB	36	9	30	Open
W3630OB	36	12	30	Open
W361530OB	36	15	30	Open

OPEN BACK WALL CABINETS

36" High Single Door

SPECIFY RIGHT or LEFT HINGED

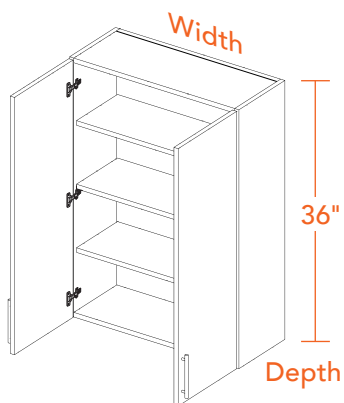
- 3 full depth adjustable shelves
- 3/4" All-Weatherboard® composite material cabinet construction
- No back panel, two 3" high mounting rails
- Available in all door styles and finishes
- Stainless steel handles sold separately



Item Number	Width	Depth	Height	Back
W120936LOB	12	9	36	Open
W120936ROB	12	9	36	Open
W1236LOB	12	12	36	Open
W1236ROB	12	12	36	Open
W121536LOB	12	15	36	Open
W121536ROB	12	15	36	Open
W150936LOB	15	9	36	Open
W150936ROB	15	9	36	Open
W1536LOB	15	12	36	Open
W1536ROB	15	12	36	Open
W151536LOB	15	15	36	Open
W151536ROB	15	15	36	Open
W180936LOB	18	9	36	Open
W180936ROB	18	9	36	Open
W1836LOB	18	12	36	Open
W1836ROB	18	12	36	Open
W181536LOB	18	15	36	Open
W181536ROB	18	15	36	Open
W210936LOB	21	9	36	Open
W210936ROB	21	9	36	Open
W2136LOB	21	12	36	Open
W2136ROB	21	12	36	Open
W211536LOB	21	15	36	Open
W211536ROB	21	15	36	Open

36" High Double Door

- 3 full depth adjustable shelves
- 3/4" All-Weatherboard® composite material cabinet construction
- No back panel, two 3" high mounting rails
- Available in all door styles and finishes
- Stainless steel handles sold separately



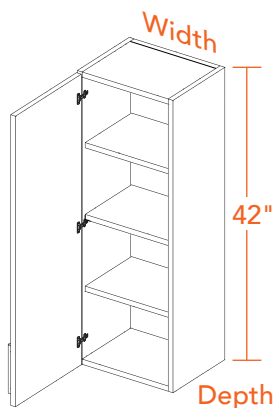
Item Number	Width	Depth	Height	Back
W240936OB	24	9	36	Open
W2436OB	24	12	36	Open
W241536OB	24	15	36	Open
W270936OB	27	9	36	Open
W2736OB	27	12	36	Open
W271536OB	27	15	36	Open
W300936OB	30	9	36	Open
W3036OB	30	12	36	Open
W301536OB	30	15	36	Open
W330936OB	33	9	36	Open
W3336OB	33	12	36	Open
W331536OB	33	15	36	Open
W360936OB	36	9	36	Open
W3636OB	36	12	36	Open
W361536OB	36	15	36	Open

OPEN BACK WALL CABINETS

42" High Single Door

SPECIFY RIGHT or LEFT HINGED

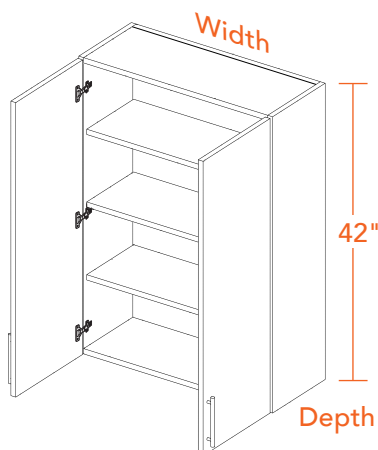
- 3 full depth adjustable shelves
- 3/4" All-Weatherboard® composite material cabinet construction
- No back panel, two 3" high mounting rails
- Available in all door styles and finishes
- Stainless steel handles sold separately



Item Number	Width	Depth	Height	Back
W120942LOB	12	9	42	Open
W120942ROB	12	9	42	Open
W1242LOB	12	12	42	Open
W1242ROB	12	12	42	Open
W121542LOB	12	15	42	Open
W121542ROB	12	15	42	Open
W150942LOB	15	9	42	Open
W150942ROB	15	9	42	Open
W1542LOB	15	12	42	Open
W1542ROB	15	12	42	Open
W151542LOB	15	15	42	Open
W151542ROB	15	15	42	Open
W180942LOB	18	9	42	Open
W180942ROB	18	9	42	Open
W1842LOB	18	12	42	Open
W1842ROB	18	12	42	Open
W181542LOB	18	15	42	Open
W181542ROB	18	15	42	Open
W210942LOB	21	9	42	Open
W210942ROB	21	9	42	Open
W2142LOB	21	12	42	Open
W2142ROB	21	12	42	Open
W211542LOB	21	15	42	Open
W211542ROB	21	15	42	Open

42" High Double Door

- 3 full depth adjustable shelves
- 3/4" All-Weatherboard® composite material cabinet construction
- No back panel, two 3" high mounting rails
- Available in all door styles and finishes
- Stainless steel handles sold separately



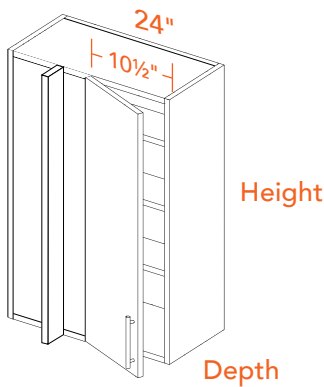
Item Number	Width	Depth	Height	Back
W240942OB	24	9	42	Open
W2442OB	24	12	42	Open
W241542OB	24	15	42	Open
W270942OB	27	9	42	Open
W2742OB	27	12	42	Open
W271542OB	27	15	42	Open
W300942OB	30	9	42	Open
W3042OB	30	12	42	Open
W301542OB	30	15	42	Open
W330942OB	33	9	42	Open
W3342OB	33	12	42	Open
W331542OB	33	15	42	Open
W360942OB	36	9	42	Open
W3642OB	36	12	42	Open
W361542OB	36	15	42	Open

OPEN BACK WALL CABINETS

Blind Wall Cabinet

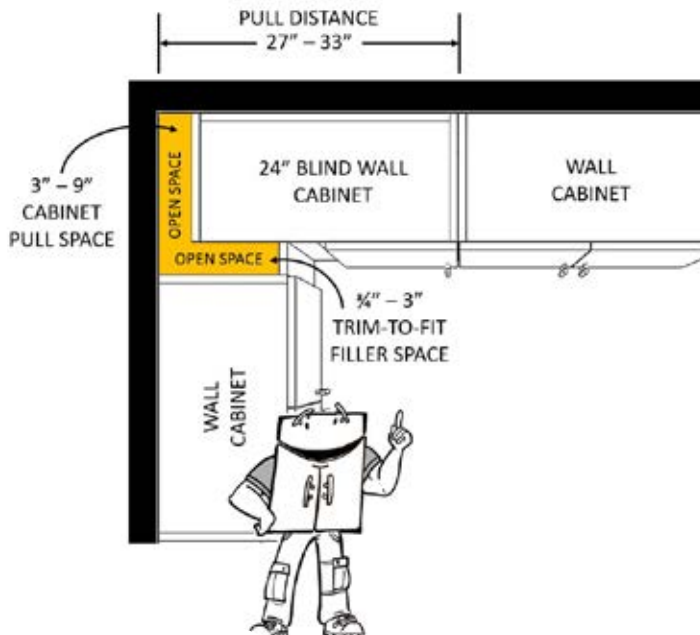
SPECIFY RIGHT or LEFT BLIND (left shown)

- 30" height 2 reduced depth adjustable shelves
- 36" and 42" height 3 reduced depth adjustable shelves
- 3/4" All-Weatherboard® composite material composite material cabinet construction
- No back panel, two 3" high mounting rails
- Available in all door styles and finishes
- Door width is 12", opening is 10 1/2"
- Stainless steel handles sold separately



	Item Number	Width	Depth	Height	Back
30" High	WBCU270930LOB	24	9	30	Open
	WBCU270930ROB	24	9	30	Open
	WBCU2730LOB	24	12	30	Open
	WBCU2730ROB	24	12	30	Open
	WBCU271530LOB	24	15	30	Open
	WBCU271530ROB	24	15	30	Open
36" High	WBCU270936LOB	24	9	36	Open
	WBCU270936ROB	24	9	36	Open
	WBCU2736LOB	24	12	36	Open
	WBCU2736ROB	24	12	36	Open
	WBCU271536LOB	24	15	36	Open
	WBCU271536ROB	24	15	36	Open
42" High	WBCU270942LOB	24	9	42	Open
	WBCU270942ROB	24	9	42	Open
	WBCU2742LOB	24	12	42	Open
	WBCU2742ROB	24	12	42	Open
	WBCU271542LOB	24	15	42	Open
	WBCU271542ROB	24	15	42	Open

Blind Wall Installation Tip: The Blind Wall cabinet is 24" wide. It must be installed from 3" to 9" away from the adjacent wall. This allows the door full clearance and provides a flexible installation range. From the adjacent wall to the far edge of the cabinet, a minimum width of 27" to a maximum width of 33" is required.

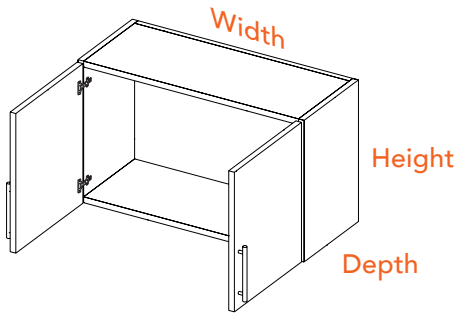


FULL BACK WALL CABINETS

Island/Full Back Wall Cabinet Coding				
W 30 09 15 IB				
W	30	09	15	IB
Cabinet Code	Width	Depth	Height	Island/ Full Back

Double Door Bridge

- 3/4" All-Weatherboard® composite material cabinet construction
- No interior shelves included
- Fully integrated back panel
- Available in all door styles and finishes
- Stainless steel handles sold separately



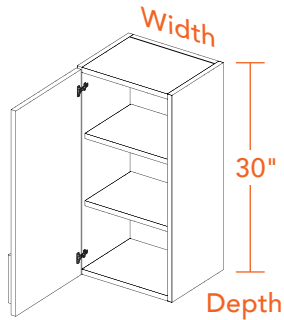
	Item Number	Width	Depth	Height	Back
15" High	W300915IB	30	9	15	Full
	W3015IB	30	12	15	Full
	W301515IB	30	15	15	Full
	W330915IB	33	9	15	Full
	W3315IB	33	12	15	Full
	W331515IB	33	15	15	Full
	W360915IB	36	9	15	Full
	W3615IB	36	12	15	Full
	W361515IB	36	15	15	Full
18" High	W300918IB	30	9	18	Full
	W3018IB	30	12	18	Full
	W301518IB	30	15	18	Full
	W330918IB	33	9	18	Full
	W3318IB	33	12	18	Full
	W331518IB	33	15	18	Full
	W360918IB	36	9	18	Full
	W3618IB	36	12	18	Full
	W361518IB	36	15	18	Full
24" High	W300924IB	30	9	24	Full
	W3024IB	30	12	24	Full
	W301524IB	30	15	24	Full
	W330924IB	33	9	24	Full
	W3324IB	33	12	24	Full
	W331524IB	33	15	24	Full
	W360924IB	36	9	24	Full
	W3624IB	36	12	24	Full
	W361524IB	36	15	24	Full

FULL BACK WALL CABINETS

30" High Single Door

SPECIFY RIGHT or LEFT HINGED

- 2 full depth adjustable shelves
- 3/4" All-Weatherboard® composite material cabinet construction
- Fully integrated back panel
- Available in all door styles and finishes
- Stainless steel handles sold separately

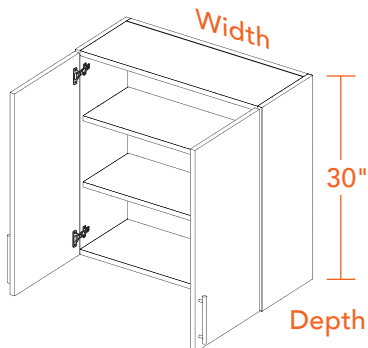


30" High

Item Number	Width	Depth	Height	Back
W120930LIB	12	9	30	Full
W120930RIB	12	9	30	Full
W1230LIB	12	12	30	Full
W1230RIB	12	12	30	Full
W121530LIB	12	15	30	Full
W121530RIB	12	15	30	Full
W150930LIB	15	9	30	Full
W150930RIB	15	9	30	Full
W1530LIB	15	12	30	Full
W1530RIB	15	12	30	Full
W151530LIB	15	15	30	Full
W151530RIB	15	15	30	Full
W180930LIB	18	9	30	Full
W180930RIB	18	9	30	Full
W1830LIB	18	12	30	Full
W1830RIB	18	12	30	Full
W181530LIB	18	15	30	Full
W181530RIB	18	15	30	Full
W210930LIB	21	9	30	Full
W210930RIB	21	9	30	Full
W2130LIB	21	12	30	Full
W2130RIB	21	12	30	Full
W211530LIB	21	15	30	Full
W211530RIB	21	15	30	Full

30" High Double Door

- 2 full depth adjustable shelves
- 3/4" All-Weatherboard® composite material cabinet construction
- Fully integrated back panel
- Available in all door styles and finishes
- Stainless steel handles sold separately



30" High

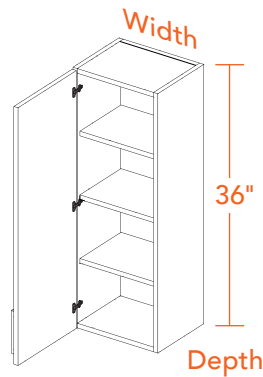
Item Number	Width	Depth	Height	Back
W240930IB	24	9	30	Full
W2430IB	24	12	30	Full
W241530IB	24	15	30	Full
W270930IB	27	9	30	Full
W2730IB	27	12	30	Full
W271530IB	27	15	30	Full
W300930IB	30	9	30	Full
W3030IB	30	12	30	Full
W301530IB	30	15	30	Full
W330930IB	33	9	30	Full
W3330IB	33	12	30	Full
W331530IB	33	15	30	Full
W360930IB	36	9	30	Full
W3630IB	36	12	30	Full
W361530IB	36	15	30	Full

FULL BACK WALL CABINETS

36" High Single Door

SPECIFY RIGHT or LEFT HINGED

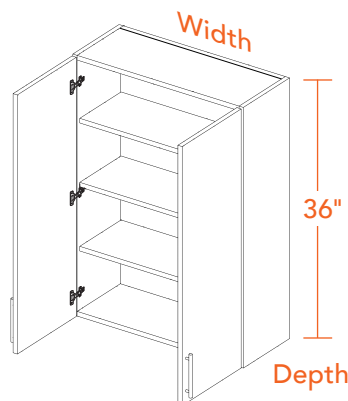
- 3 full depth adjustable shelves
- 3/4" All-Weatherboard® composite material cabinet construction
- Fully integrated back panel
- Available in all door styles and finishes
- Stainless steel handles sold separately



	Item Number	Width	Depth	Height	Back
36" High	W120936LIB	12	9	36	Full
	W120936RIB	12	9	36	Full
	W1236LIB	12	12	36	Full
	W1236RIB	12	12	36	Full
	W121536LIB	12	15	36	Full
	W121536RIB	12	15	36	Full
	W150936LIB	15	9	36	Full
	W150936RIB	15	9	36	Full
	W1536LIB	15	12	36	Full
	W1536RIB	15	12	36	Full
	W151536LIB	15	15	36	Full
	W151536RIB	15	15	36	Full
	W180936LIB	18	9	36	Full
	W180936RIB	18	9	36	Full
	W1836LIB	18	12	36	Full
	W1836RIB	18	12	36	Full
	W181536LIB	18	15	36	Full
	W181536RIB	18	15	36	Full
	W210936LIB	21	9	36	Full
	W210936RIB	21	9	36	Full
	W2136LIB	21	12	36	Full
W2136RIB	21	12	36	Full	
W211536LIB	21	15	36	Full	
W211536RIB	21	15	36	Full	

36" High Double Door

- 3 full depth adjustable shelves
- 3/4" All-Weatherboard® composite material cabinet construction
- Fully integrated back panel
- Available in all door styles and finishes
- Stainless steel handles sold separately



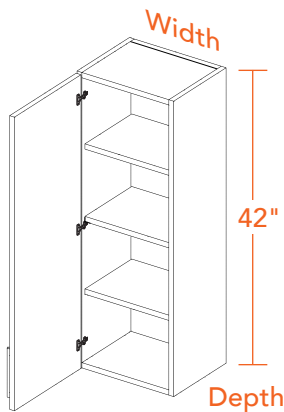
	Item Number	Width	Depth	Height	Back
36" High	W240936IB	24	9	36	Full
	W2436IB	24	12	36	Full
	W241536IB	24	15	36	Full
	W270936IB	27	9	36	Full
	W2736IB	27	12	36	Full
	W271536IB	27	15	36	Full
	W300936IB	30	9	36	Full
	W3036IB	30	12	36	Full
	W301536IB	30	15	36	Full
	W330936IB	33	9	36	Full
	W3336IB	33	12	36	Full
	W331536IB	33	15	36	Full
	W360936IB	36	9	36	Full
	W3636IB	36	12	36	Full
	W361536IB	36	15	36	Full

FULL BACK WALL CABINETS

42" High Single Door

SPECIFY RIGHT or LEFT HINGED

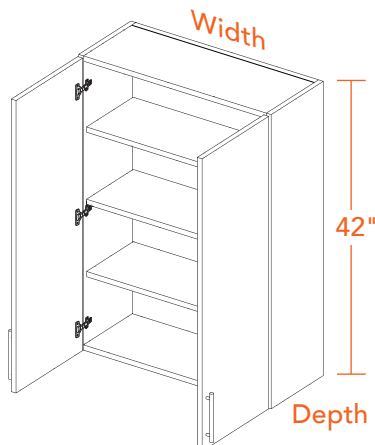
- 3 full depth adjustable shelves
- 3/4" All-Weatherboard® composite material cabinet construction
- Fully integrated back panel
- Available in all door styles and finishes
- Stainless steel handles sold separately



	Item Number	Width	Depth	Height	Back
42" High	W120942LIB	12	9	42	Full
	W120942RIB	12	9	42	Full
	W1242LIB	12	12	42	Full
	W1242RIB	12	12	42	Full
	W121542LIB	12	15	42	Full
	W121542RIB	12	15	42	Full
	W150942LIB	15	9	42	Full
	W150942RIB	15	9	42	Full
	W1542LIB	15	12	42	Full
	W1542RIB	15	12	42	Full
	W151542LIB	15	15	42	Full
	W151542RIB	15	15	42	Full
	W180942LIB	18	9	42	Full
	W180942RIB	18	9	42	Full
	W1842LIB	18	12	42	Full
	W1842RIB	18	12	42	Full
	W181542LIB	18	15	42	Full
	W181542RIB	18	15	42	Full
	W210942LIB	21	9	42	Full
	W210942RIB	21	9	42	Full
	W2142LIB	21	12	42	Full
W2142RIB	21	12	42	Full	
W211542LIB	21	15	42	Full	
W211542RIB	21	15	42	Full	

42" High Double Door

- 3 full depth adjustable shelves
- 3/4" All-Weatherboard® composite material cabinet construction
- Fully integrated back panel
- Available in all door styles and finishes
- Stainless steel handles sold separately



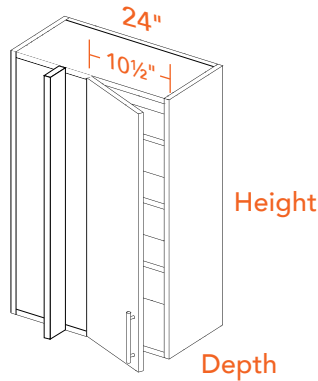
	Item Number	Width	Depth	Height	Back
42" High	W240942IB	24	9	42	Full
	W2442IB	24	12	42	Full
	W241542IB	24	15	42	Full
	W270942IB	27	9	42	Full
	W2742IB	27	12	42	Full
	W271542IB	27	15	42	Full
	W300942IB	30	9	42	Full
	W3042IB	30	12	42	Full
	W301542IB	30	15	42	Full
	W330942IB	33	9	42	Full
	W3342IB	33	12	42	Full
	W331542IB	33	15	42	Full
	W360942IB	36	9	42	Full
	W3642IB	36	12	42	Full
	W361542IB	36	15	42	Full

FULL BACK WALL CABINETS

Blind Wall Cabinets

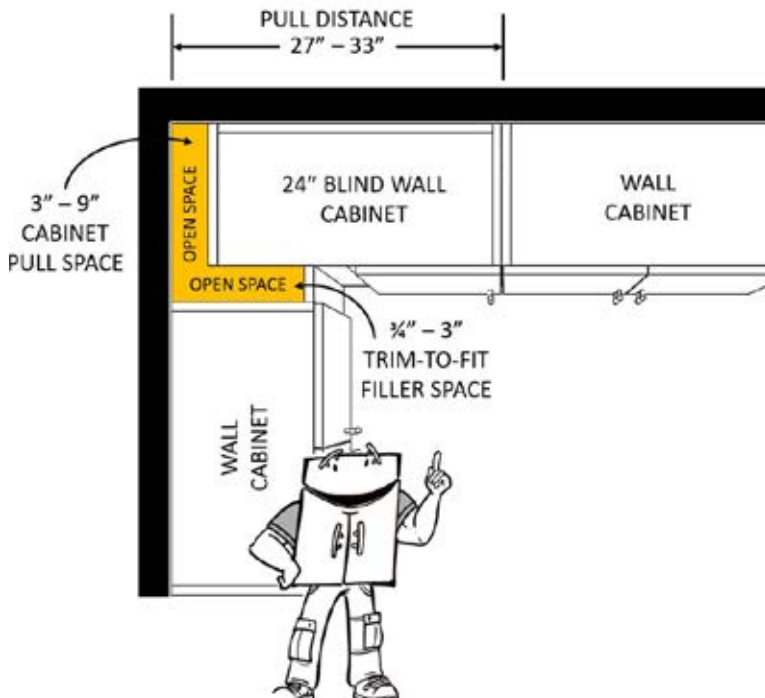
SPECIFY RIGHT or LEFT BLIND (left shown)

- 30" height 2 reduced depth adjustable shelves
- 36" and 42" height 3 reduced depth adjustable shelves
- 3/4" All-Weatherboard® composite material cabinet construction
- Fully integrated back panel
- Available in all door styles and finishes
- Door width is 12", opening is 10 1/2"
- Stainless steel handles sold separately



	Item Number	Width	Depth	Height	Back
30" High	WBCU270930LIB	24	9	30	Full
	WBCU270930RIB	24	9	30	Full
	WBCU2730LIB	24	12	30	Full
	WBCU2730RIB	24	12	30	Full
	WBCU271530LIB	24	15	30	Full
	WBCU271530RIB	24	15	30	Full
36" High	WBCU270936LIB	24	9	36	Full
	WBCU270936RIB	24	9	36	Full
	WBCU2736LIB	24	12	36	Full
	WBCU2736RIB	24	12	36	Full
	WBCU271536LIB	24	15	36	Full
	WBCU271536RIB	24	15	36	Full
42" High	WBCU270942LIB	24	9	42	Full
	WBCU270942RIB	24	9	42	Full
	WBCU2742LIB	24	12	42	Full
	WBCU2742RIB	24	12	42	Full
	WBCU271542LIB	24	15	42	Full
	WBCU271542RIB	24	15	42	Full

Blind Wall Installation Tip: The Blind Wall cabinet is 24" wide. It must be installed from 3" to 9" away from the adjacent wall. This allows the door full clearance and provides a flexible installation range. From the adjacent wall to the far edge of the cabinet, a minimum width of 27" to a maximum width of 33" is required.



OPEN BACK BASE CABINETS

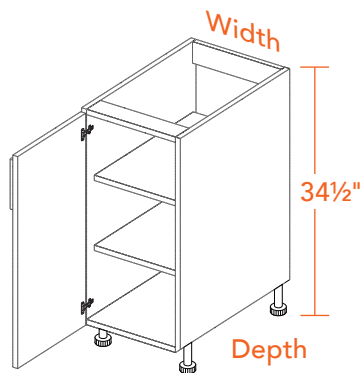
34.5" High

Open Back Base Cabinet Coding					
B 12 18 FH L OB					
B	12	18	FH	L	OB
Cabinet Code	Width	Depth	Full Height Door	Left Hinge	Open Back

Full Height Single Door

SPECIFY RIGHT or LEFT HINGED

- 2 full depth adjustable shelves
- 3/4" All-Weatherboard® composite material cabinet construction
- No back panel, three 3" high mounting rails
- Includes 4 'Sure Level' polymer legs, shipped loose for field installation and leveling
- Available in all door styles and finishes
- Stainless steel handles sold separately



Item Number	Width	Depth	Height	Back
B1218FHLOB	12	18	34.5	Open
B1218FHROB	12	18	34.5	Open
B1221FHLOB	12	21	34.5	Open
B1221FHROB	12	21	34.5	Open
B12FHLOB	12	24	34.5	Open
B12FHROB	12	24	34.5	Open
B1227FHLOB	12	27	34.5	Open
B1227FHROB	12	27	34.5	Open
B1518FHLOB	15	18	34.5	Open
B1518FHROB	15	18	34.5	Open
B1521FHLOB	15	21	34.5	Open
B1521FHROB	15	21	34.5	Open
B15FHLOB	15	24	34.5	Open
B15FHROB	15	24	34.5	Open
B1527FHLOB	15	27	34.5	Open
B1527FHROB	15	27	34.5	Open
B1818FHLOB	18	18	34.5	Open
B1818FHROB	18	18	34.5	Open
B1821FHLOB	18	21	34.5	Open
B1821FHROB	18	21	34.5	Open
B18FHLOB	18	24	34.5	Open
B18FHROB	18	24	34.5	Open
B1827FHLOB	18	27	34.5	Open
B1827FHROB	18	27	34.5	Open
B2118FHLOB	21	18	34.5	Open
B2118FHROB	21	18	34.5	Open
B2121FHLOB	21	21	34.5	Open
B2121FHROB	21	21	34.5	Open
B21FHLOB	21	24	34.5	Open
B21FHROB	21	24	34.5	Open
B2127FHLOB	21	27	34.5	Open
B2127FHROB	21	27	34.5	Open

OPEN BACK BASE CABINETS

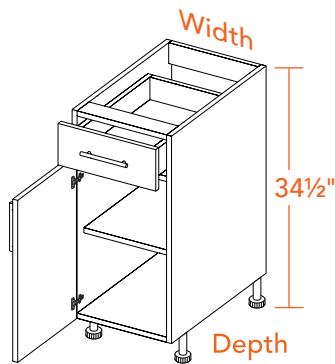
Single Door & Drawer

SPECIFY RIGHT or LEFT HINGED

- Single full depth adjustable shelf
- 3/4" All-Weatherboard® composite material cabinet construction
- No back panel, three 3" high mounting rails
- Includes 4 'Sure Level' polymer legs, shipped loose for field installation and leveling
- Available in all door styles and finishes
- Stainless steel handles sold separately

34.5" High

Item Number	Width	Depth	Height	Back
B12LOB	12	24	34.5	Open
B12ROB	12	24	34.5	Open
B1227LOB	12	27	34.5	Open
B1227ROB	12	27	34.5	Open
B15LOB	15	24	34.5	Open
B15ROB	15	24	34.5	Open
B1527LOB	15	27	34.5	Open
B1527ROB	15	27	34.5	Open
B18LOB	18	24	34.5	Open
B18ROB	18	24	34.5	Open
B1827LOB	18	27	34.5	Open
B1827ROB	18	27	34.5	Open
B21LOB	21	24	34.5	Open
B21ROB	21	24	34.5	Open
B2127LOB	21	27	34.5	Open
B2127ROB	21	27	34.5	Open



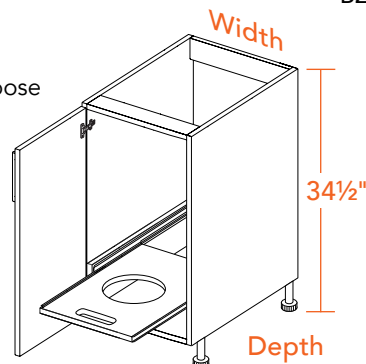
Full Height Single Door With Propane Pull-Out

SPECIFY RIGHT or LEFT HINGED

- Pull-out features soft close, side mounted, ball bearing stainless steel drawer glides
- Weather proof inset handle for easy grip
- Circular cut-out for up to a standard 20lb propane tank
- 3/4" All-Weatherboard® composite material cabinet construction
- No back panel, three 3" high mounting rails
- Includes 4 'Sure Level' polymer legs, shipped loose for field installation and leveling
- Available in all door styles and finishes

34.5" High

Item Number	Width	Depth	Height	Back
B18FHLOB-PP	18	24	34.5	Open
B18FHROB-PP	18	24	34.5	Open
B1827FHLOB-PP	18	27	34.5	Open
B1827FHROB-PP	18	27	34.5	Open
B21FHLOB-PP	21	24	34.5	Open
B21FHROB-PP	21	24	34.5	Open
B2127FHLOB-PP	21	27	34.5	Open
B2127FHROB-PP	21	27	34.5	Open



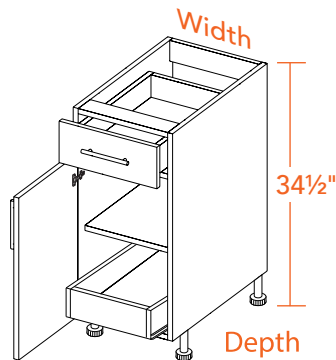
MOST POPULAR

OPEN BACK BASE CABINETS

Single Door & Drawer With 1 Roll-Out Tray

SPECIFY RIGHT or LEFT HINGED

- Roll-out tray features soft close, side mounted, ball bearing stainless steel drawer glides
- Roll-out tray is 6" high by 21 3/4" deep, and is constructed of 3/4" All-Weatherboard® composite material construction, sides and bottom panel
- 3/4" All-Weatherboard® composite material cabinet construction
- No back panel, three 3" high mounting rails
- Includes 4 'Sure Level' polymer legs, shipped loose for field installation and leveling
- Available in all door styles and finishes
- Stainless steel handles sold separately



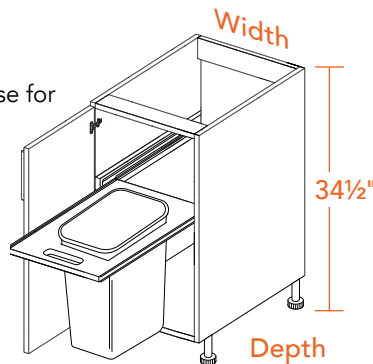
*27" deep base cabinets have the same roll-out tray as the 24" deep cabinets

Item Number	Width	Depth	Height	Back
B12LOB-1T	12	24	34.5	Open
B12ROB-1T	12	24	34.5	Open
B1227LOB-1T*	12	27	34.5	Open
B1227ROB-1T*	12	27	34.5	Open
B15LOB-1T	15	24	34.5	Open
B15ROB-1T	15	24	34.5	Open
B1527LOB-1T*	15	27	34.5	Open
B1527ROB-1T*	15	27	34.5	Open
B18LOB-1T	18	24	34.5	Open
B18ROB-1T	18	24	34.5	Open
B1827LOB-1T*	18	27	34.5	Open
B1827ROB-1T*	18	27	34.5	Open
B21LOB-1T	21	24	34.5	Open
B21ROB-1T	21	24	34.5	Open
B2127LOB-1T*	21	27	34.5	Open
B2127ROB-1T*	21	27	34.5	Open

Full Height Single Door With Trashcan Pull-Out

SPECIFY RIGHT or LEFT HINGED

- Pull-out features soft close, side mounted, ball bearing stainless steel drawer glides
- Weather proof inset handle for easy grip
- Removable 35 quart capacity plastic bin with weather proof gasket
- 3/4" All-Weatherboard® composite material cabinet construction
- No back panel, three 3" high mounting rails
- Includes 4 'Sure Level' polymer legs, shipped loose for field installation and leveling
- Available in all door styles and finishes
- Stainless steel handles sold separately



Item Number	Width	Depth	Height	Back
B18FHLOB-TC	18	24	34.5	Open
B18FHROB-TC	18	24	34.5	Open
B1827FHLOB-TC	18	27	34.5	Open
B1827FHROB-TC	18	27	34.5	Open
B21FHLOB-TC	21	24	34.5	Open
B21FHROB-TC	21	24	34.5	Open
B2127FHLOB-TC	21	27	34.5	Open
B2127FHROB-TC	21	27	34.5	Open

MOST POPULAR

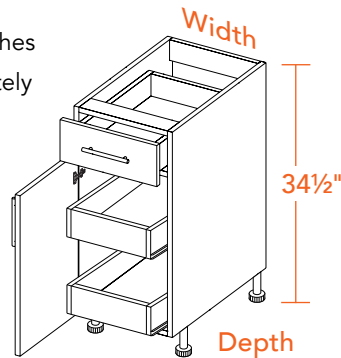
OPEN BACK BASE CABINETS

Single Door & Drawer With 2 Roll-Out Trays

SPECIFY RIGHT or LEFT HINGED

34.5" High

- Roll-out trays feature soft close, side mounted, ball bearing stainless steel drawer glides
- Roll-out tray is 6" high by 21 3/4" deep, and is constructed of 3/4" All-Weatherboard® composite material construction, sides and bottom panel
- 3/4" All-Weatherboard® composite material cabinet construction
- No back panel, three 3" high mounting rails
- Includes 4 'Sure Level' polymer legs, shipped loose for field installation and leveling
- Available in all door styles and finishes
- Stainless steel handles sold separately



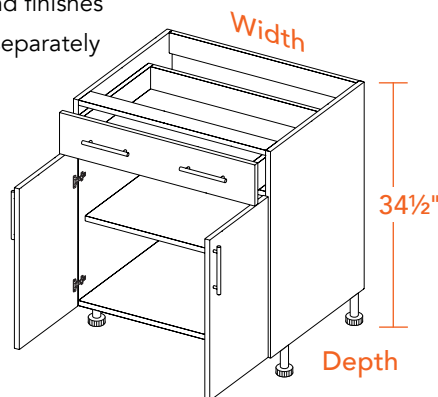
*27" deep base cabinets have the same roll-out tray as the 24" deep cabinets

Item Number	Width	Depth	Height	Back
B12LOB-2T	12	24	34.5	Open
B12ROB-2T	12	24	34.5	Open
B1227LOB-2T*	12	27	34.5	Open
B1227ROB-2T*	12	27	34.5	Open
B15LOB-2T	15	24	34.5	Open
B15ROB-2T	15	24	34.5	Open
B1527LOB-2T*	15	27	34.5	Open
B1527ROB-2T*	15	27	34.5	Open
B18LOB-2T	18	24	34.5	Open
B18ROB-2T	18	24	34.5	Open
B1827LOB-2T*	18	27	34.5	Open
B1827ROB-2T*	18	27	34.5	Open
B21LOB-2T	21	24	34.5	Open
B21ROB-2T	21	24	34.5	Open
B2127LOB-2T*	21	27	34.5	Open
B2127ROB-2T*	21	27	34.5	Open

Double Door & Drawer

34.5" High

- Single full depth adjustable shelf
- 3/4" All-Weatherboard® composite material cabinet construction
- No back panel, three 3" high mounting rails
- Includes 4 'Sure Level' polymer legs, shipped loose for field installation and leveling
- Available in all door styles and finishes
- Stainless steel handles sold separately



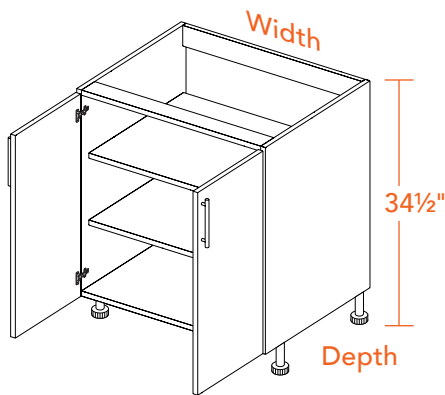
Item Number	Width	Depth	Height	Back
B24OB	24	24	34.5	Open
B2427OB	24	27	34.5	Open
B27OB	27	24	34.5	Open
B2727OB	27	27	34.5	Open
B30OB	30	24	34.5	Open
B3027OB	30	27	34.5	Open
B33OB	33	24	34.5	Open
B3327OB	33	27	34.5	Open
B36OB	36	24	34.5	Open
B3627OB	36	27	34.5	Open

OPEN BACK BASE CABINETS

Full Height Double Door

- Two full-depth adjustable shelves
- 3/4" All-Weatherboard® composite material cabinet construction
- No back panel, three 3" high mounting rails
- Includes 4 'Sure Level' polymer legs, shipped loose for field installation and leveling
- Available in all door styles and finishes
- Stainless steel handles sold separately

34.5" High

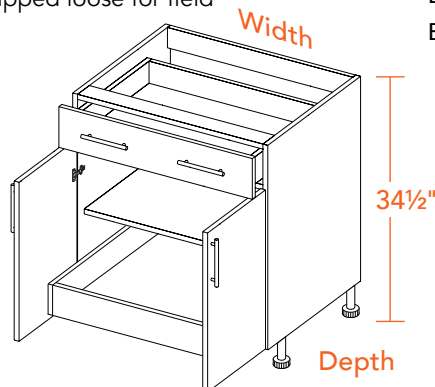


Item Number	Width	Depth	Height	Back
B2418FHOB	24	18	34.5	Open
B2421FHOB	24	21	34.5	Open
B24FHOB	24	24	34.5	Open
B2427FHOB	24	27	34.5	Open
B2718FHOB	27	18	34.5	Open
B2721FHOB	27	21	34.5	Open
B27FHOB	27	24	34.5	Open
B2727FHOB	27	27	34.5	Open
B3018FHOB	30	18	34.5	Open
B3021FHOB	30	21	34.5	Open
B30FHOB	30	24	34.5	Open
B3027FHOB	30	27	34.5	Open
B3318FHOB	33	18	34.5	Open
B3321FHOB	33	21	34.5	Open
B33FHOB	33	24	34.5	Open
B3327FHOB	33	27	34.5	Open
B3618FHOB	36	18	34.5	Open
B3621FHOB	36	21	34.5	Open
B36FHOB	36	24	34.5	Open
B3627FHOB	36	27	34.5	Open

Double Door & Drawer With 1 Roll-Out Tray

- Roll-out tray features soft close, side mounted, ball bearing stainless steel drawer glides
- Roll-out tray is 6" high by 21 3/4" deep, and is constructed of 3/4" All-Weatherboard® composite material construction, sides and bottom panel
- 3/4" All-Weatherboard® composite material cabinet construction
- No back panel, three 3" high mounting rails
- Includes 4 'Sure Level' polymer legs, shipped loose for field installation and leveling
- Available in all door styles and finishes
- Stainless steel handles sold separately

34.5" High



Item Number	Width	Depth	Height	Back
B24OB-1T	24	24	34.5	Open
B2427OB-1T*	24	27	34.5	Open
B27OB-1T	27	24	34.5	Open
B2727OB-1T*	27	27	34.5	Open
B30OB-1T	30	24	34.5	Open
B3027OB-1T*	30	27	34.5	Open
B33OB-1T	33	24	34.5	Open
B3327OB-1T*	33	27	34.5	Open
B36OB-1T	36	24	34.5	Open
B3627OB-1T*	36	27	34.5	Open

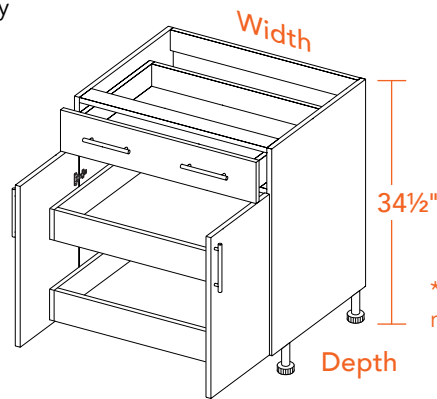
*27" deep base cabinets have the same roll-out tray as the 24" deep cabinets

OPEN BACK BASE CABINETS

Double Door & Drawer With 2 Roll-Out Trays

- Roll-out trays feature soft close, side mounted, ball bearing stainless steel drawer glides **34.5" High**
- Roll-out tray is 6" high by 21 ¾" deep, and is constructed of ¾" All-Weatherboard® composite material construction, sides and bottom panel
- ¾" All-Weatherboard® composite material cabinet construction
- No back panel, three 3" high mounting rails
- Includes 4 'Sure Level' polymer legs, shipped loose for field installation and leveling
- Available in all door styles and finishes
- Stainless steel handles sold separately

Item Number	Width	Depth	Height	Back
B24OB-2T	24	24	34.5	Open
B2427OB-2T*	24	27	34.5	Open
B27OB-2T	27	24	34.5	Open
B2727OB-2T*	27	27	34.5	Open
B30OB-2T	30	24	34.5	Open
B3027OB-2T*	30	27	34.5	Open
B33OB-2T	33	24	34.5	Open
B3327OB-2T*	33	27	34.5	Open
B36OB-2T	36	24	34.5	Open
B3627OB-2T*	36	27	34.5	Open

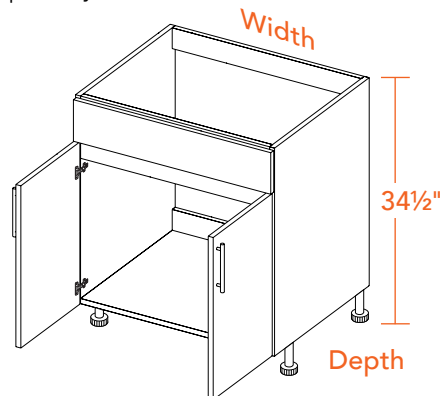


*27" deep base cabinets have the same roll-out tray as the 24" deep cabinets

Double Door Sink Base

- ¾" All-Weatherboard® composite material cabinet construction **34.5" High**
- False drawer front to accommodate sink
- No adjustable shelf
- No back panel, three 3" high mounting rails
- Includes 4 'Sure Level' polymer legs, shipped loose for field installation and leveling
- Available in all door styles and finishes
- Stainless steel handles sold separately

Item Number	Width	Depth	Height	Back
SB2418OB	24	18	34.5	Open
SB2421OB	24	21	34.5	Open
SB24OB	24	24	34.5	Open
SB2427OB	24	27	34.5	Open
SB2718OB	27	18	34.5	Open
SB2721OB	27	21	34.5	Open
SB27OB	27	24	34.5	Open
SB2727OB	27	27	34.5	Open
SB3018OB	30	18	34.5	Open
SB3021OB	30	21	34.5	Open
SB30OB	30	24	34.5	Open
SB3027OB	30	27	34.5	Open
SB3318OB	33	18	34.5	Open
SB3321OB	33	21	34.5	Open
SB33OB	33	24	34.5	Open
SB3327OB	33	27	34.5	Open
SB3618OB	36	18	34.5	Open
SB3621OB	36	21	34.5	Open
SB36OB	36	24	34.5	Open
SB3627OB	36	27	34.5	Open

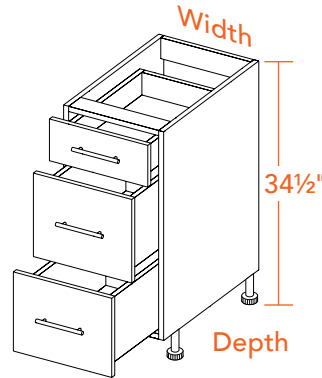


OPEN BACK BASE CABINETS

Open Back Drawer Base Cabinet Coding				
B 3D 12 27 OB				
B	3D	12	27	OB
Cabinet Code	Three Drawers	Width	Depth	Open Back

3 Drawer Base

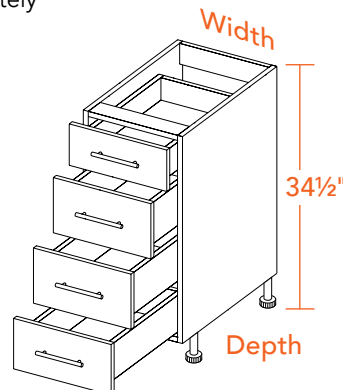
- 3/4" All-Weatherboard® composite material cabinet construction
- Top drawer front is 6" high
- Middle and bottom drawer fronts are 12" high
- No back panel, three 3" high mounting rails
- Includes 4 'Sure Level' polymer legs, shipped loose for field installation and leveling
- Available in all door styles and finishes
- Stainless steel handles sold separately



Item Number	Width	Depth	Height	Back
34.5" High				
B3D12OB	12	24	34.5	Open
B3D1227OB	12	27	34.5	Open
B3D15OB	15	24	34.5	Open
B3D1527OB	15	27	34.5	Open
B3D18OB	18	24	34.5	Open
B3D1827OB	18	27	34.5	Open
B3D21OB	21	24	34.5	Open
B3D2127OB	21	27	34.5	Open
B3D24OB	24	24	34.5	Open
B3D2427OB	24	27	34.5	Open

4 Drawer Base

- 3/4" All-Weatherboard® composite material cabinet construction
- Top drawer front is 6" high
- Bottom three drawer fronts are 8" high
- No back panel, three 3" high mounting rails
- Includes 4 'Sure Level' polymer legs, shipped loose for field installation and leveling
- Available in all door styles and finishes
- Stainless steel handles sold separately



Item Number	Width	Depth	Height	Back
34.5" High				
B4D12OB	12	24	34.5	Open
B4D1227OB	12	27	34.5	Open
B4D15OB	15	24	34.5	Open
B4D1527OB	15	27	34.5	Open
B4D18OB	18	24	34.5	Open
B4D1827OB	18	27	34.5	Open
B4D21OB	21	24	34.5	Open
B4D2127OB	21	27	34.5	Open
B4D24OB	24	24	34.5	Open
B4D2427OB	24	27	34.5	Open

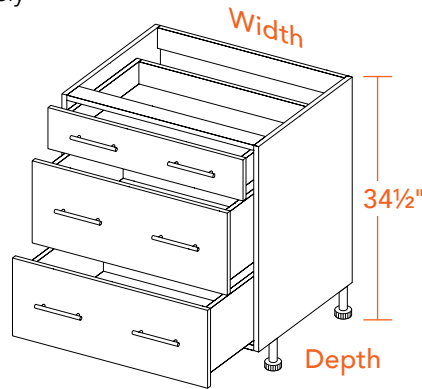
OPEN BACK BASE CABINETS

Wide 3 Drawer Base

- 3/4" All-Weatherboard® composite material cabinet construction
- Top drawer front is 6" high
- Middle and bottom drawer fronts are 12" high
- No back panel, three 3" high mounting rails
- Includes 4 'Sure Level' polymer legs, shipped loose for field installation and leveling
- Available in all door styles and finishes
- Stainless steel handles sold separately

34.5" High

Item Number	Width	Depth	Height	Back
B3D27OB	27	24	34.5	Open
B3D2727OB	27	27	34.5	Open
B3D30OB	30	24	34.5	Open
B3D3027OB	30	27	34.5	Open
B3D33OB	33	24	34.5	Open
B3D3327OB	33	27	34.5	Open
B3D36OB	36	24	34.5	Open
B3D3627OB	36	27	34.5	Open

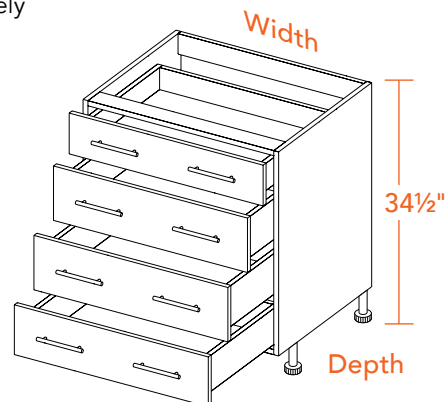


Wide 4 Drawer Base

- 3/4" All-Weatherboard® composite material cabinet construction
- Top drawer front is 6" high
- Bottom three drawer fronts are 8" high
- No back panel, three 3" high mounting rails
- Includes 4 'Sure Level' polymer legs, shipped loose for field installation and leveling
- Available in all door styles and finishes
- Stainless steel handles sold separately

34.5" High

Item Number	Width	Depth	Height	Back
B4D27OB	27	24	34.5	Open
B4D2727OB	27	27	34.5	Open
B4D30OB	30	24	34.5	Open
B4D3027OB	30	27	34.5	Open
B4D33OB	33	24	34.5	Open
B4D3327OB	33	27	34.5	Open
B4D36OB	36	24	34.5	Open
B4D3627OB	36	27	34.5	Open



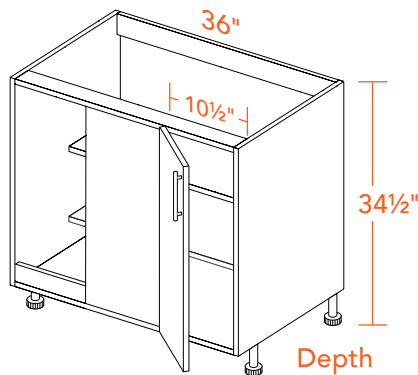
OPEN BACK BASE CABINETS

Blind Base

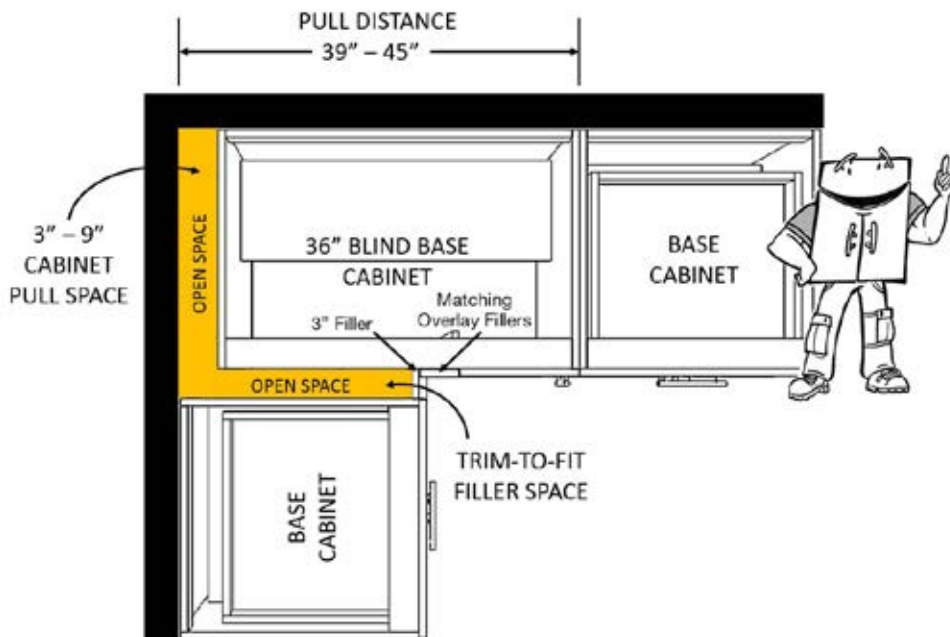
SPECIFY RIGHT or LEFT BLIND (left shown)

- Two reduced depth adjustable shelves
- 3" filler, 3" & 6" overlay fillers included
- 3/4" All-Weatherboard® composite material cabinet construction
- No back panel, three 3" high mounting rails
- Includes 4 'Sure Level' polymer legs, shipped loose for field installation and leveling
- Available in all door styles and finishes
- Door width is 12", opening is 10 1/2"
- Stainless steel handles sold separately

Item Number	Width	Depth	Height	Back
34.5" High BBCU3918FHLOB	36	18	34.5	Open
BBCU3918FHROB	36	18	34.5	Open
BBCU3921FHLOB	36	21	34.5	Open
BBCU3921FHROB	36	21	34.5	Open
BBCU39FHLOB	36	24	34.5	Open
BBCU39FHROB	36	24	34.5	Open
BBCU3927FHLOB	36	27	34.5	Open
BBCU3927FHROB	36	27	34.5	Open



Blind Base Tip: The Blind Base cabinet is 36" wide. It must be installed from 3" to 9" away from the adjacent wall. This allows the door full clearance and provides a flexible installation range. From the adjacent wall to the far edge of the cabinet, a minimum width of 39" to a maximum width of 45" is required.



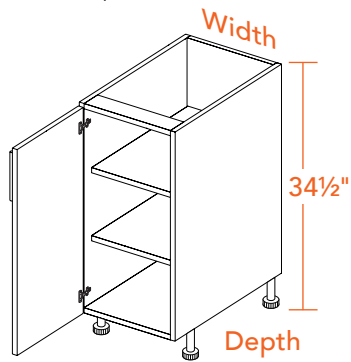
ISLAND BACK BASE CABINETS

Island Back Base Cabinet Coding					
B 12 18 FH L IB					
B	12	18	FH	L	IB
Cabinet Code	Width	Depth	Full Height Door	Left Hinge	Island Back

Full Height Single Door

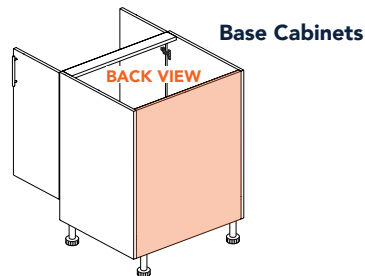
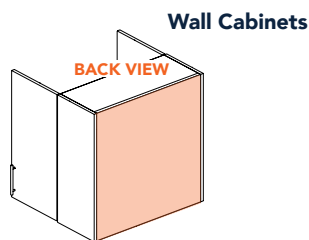
SPECIFY RIGHT or LEFT HINGED

- 2 full depth adjustable shelves
- 3/4" All-Weatherboard® composite material cabinet construction
- Fully integrated back panel
- Includes 4 'Sure Level' polymer legs, shipped loose for field installation and leveling
- Available in all door styles and finishes
- Stainless steel handles sold separately



Item Number	Width	Depth	Height	Back
34.5" High				
B1218FHLIB	12	18	34.5	Full
B1218FHRIB	12	18	34.5	Full
B1221FHLIB	12	21	34.5	Full
B1221FHRIB	12	21	34.5	Full
B12FHLIB	12	24	34.5	Full
B12FHRIB	12	24	34.5	Full
B1227FHLIB	12	27	34.5	Full
B1227FHRIB	12	27	34.5	Full
B1518FHLIB	15	18	34.5	Full
B1518FHRIB	15	18	34.5	Full
B1521FHLIB	15	21	34.5	Full
B1521FHRIB	15	21	34.5	Full
B15FHLIB	15	24	34.5	Full
B15FHRIB	15	24	34.5	Full
B1527FHLIB	15	27	34.5	Full
B1527FHRIB	15	27	34.5	Full
B1818FHLIB	18	18	34.5	Full
B1818FHRIB	18	18	34.5	Full
B1821FHLIB	18	21	34.5	Full
B1821FHRIB	18	21	34.5	Full
B18FHLIB	18	24	34.5	Full
B18FHRIB	18	24	34.5	Full
B1827FHLIB	18	27	34.5	Full
B1827FHRIB	18	27	34.5	Full
B2118FHLIB	21	18	34.5	Full
B2118FHRIB	21	18	34.5	Full
B2121FHLIB	21	21	34.5	Full
B2121FHRIB	21	21	34.5	Full
B21FHLIB	21	24	34.5	Full
B21FHRIB	21	24	34.5	Full
B2127FHLIB	21	27	34.5	Full
B2127FHRIB	21	27	34.5	Full

Island Back Base Tip: Island Back (IB) cabinets are great for use as a free standing island and in wide open areas. The fully integrated back panels provide a factory built barrier against debris.

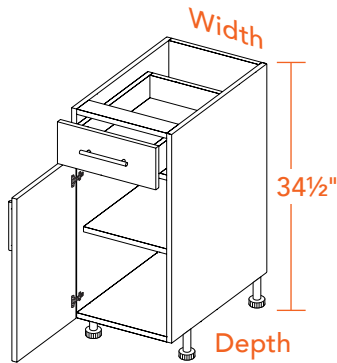


ISLAND BACK BASE CABINETS

Single Door & Drawer

SPECIFY RIGHT or LEFT HINGED

- Single full depth adjustable shelf
- 3/4" All-Weatherboard® composite material cabinet construction
- Fully integrated back panel
- Includes 4 'Sure Level' polymer legs, shipped loose for field installation and leveling
- Available in all door styles and finishes
- Stainless steel handles sold separately

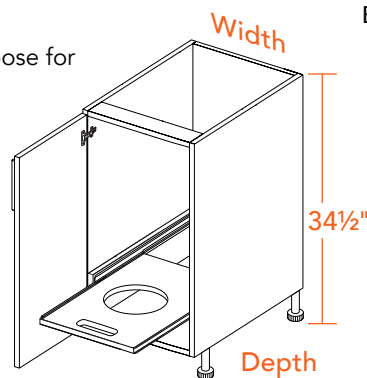


Item Number	Width	Depth	Height	Back
B12LIB	12	24	34.5	Full
B12RIB	12	24	34.5	Full
B1227LIB	12	27	34.5	Full
B1227RIB	12	27	34.5	Full
B15LIB	15	24	34.5	Full
B15RIB	15	24	34.5	Full
B1527LIB	15	27	34.5	Full
B1527RIB	15	27	34.5	Full
B18LIB	18	24	34.5	Full
B18RIB	18	24	34.5	Full
B1827LIB	18	27	34.5	Full
B1827RIB	18	27	34.5	Full
B21LIB	21	24	34.5	Full
B21RIB	21	24	34.5	Full
B2127LIB	21	27	34.5	Full
B2127RIB	21	27	34.5	Full

Full Height Single Door With Propane Pull-out

SPECIFY RIGHT or LEFT HINGED

- Pull-out features soft close, side mounted, ball bearing stainless steel drawer glides
- Weather proof inset handle for easy grip
- Circular cut-out for up to a standard 20lb propane tank
- 3/4" All-Weatherboard® composite material cabinet construction
- Fully integrated back panel
- Includes 4 'Sure Level' polymer legs, shipped loose for field installation and leveling
- Available in all door styles and finishes
- Stainless steel handles sold separately



Item Number	Width	Depth	Height	Back
B18FHLOB-PP	18	24	34.5	Full
B18FHROB-PP	18	24	34.5	Full
B1827FHLOB-PP	18	27	34.5	Full
B1827FHROB-PP	18	27	34.5	Full
B21FHLOB-PP	21	24	34.5	Full
B21FHROB-PP	21	24	34.5	Full
B2127FHLOB-PP	21	27	34.5	Full
B2127FHROB-PP	21	27	34.5	Full

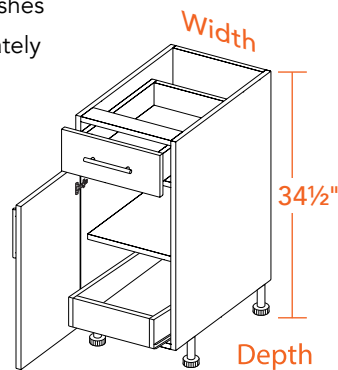
MOST POPULAR

ISLAND BACK BASE CABINETS

Single Door & Drawer With 1 Roll-Out Tray

SPECIFY RIGHT or LEFT HINGED

- Roll-out tray features soft close, side mounted, ball bearing stainless steel drawer glides
- Roll-out tray is 6" high by 21 ¾" deep, and is constructed of ¾" All-Weatherboard® composite material construction, sides and bottom panel
- ¾" All-Weatherboard® composite material cabinet construction
- Fully integrated back panel
- Includes 4 'Sure Level' polymer legs, shipped loose for field installation and leveling
- Available in all door styles and finishes
- Stainless steel handles sold separately



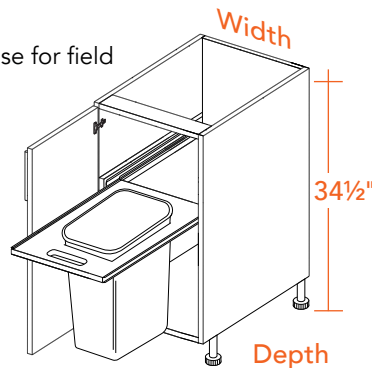
*27" deep base cabinets have the same roll-out tray as the 24" deep cabinets

Item Number	Width	Depth	Height	Back
B12LIB-1T	12	24	34.5	Full
B12RIB-1T	12	24	34.5	Full
B1227LIB-1T*	12	27	34.5	Full
B1227RIB-1T*	12	27	34.5	Full
B15LIB-1T	15	24	34.5	Full
B15RIB-1T	15	24	34.5	Full
B1527LIB-1T*	15	27	34.5	Full
B1527RIB-1T*	15	27	34.5	Full
B18LIB-1T	18	24	34.5	Full
B18RIB-1T	18	24	34.5	Full
B1827LIB-1T*	18	27	34.5	Full
B1827RIB-1T*	18	27	34.5	Full
B21LIB-1T	21	24	34.5	Full
B21RIB-1T	21	24	34.5	Full
B2127LIB-1T*	21	27	34.5	Full
B2127RIB-1T*	21	27	34.5	Full

Full Height Single Door With Trashcan Pull-Out

SPECIFY RIGHT or LEFT HINGED

- Pull-out features soft close, side mounted, ball bearing stainless steel drawer glides
- Weather proof inset handle for easy grip
- Removable 35 quart capacity plastic bin with weather proof gasket
- ¾" All-Weatherboard® composite material cabinet construction
- Fully integrated back panel
- Includes 4 'Sure Level' polymer legs, shipped loose for field installation and leveling
- Available in all door styles and finishes
- Stainless steel handles sold separately



Item Number	Width	Depth	Height	Back
B18FHLIB-TC	18	24	34.5	Full
B18FHRIB-TC	18	24	34.5	Full
B1827FHLIB-TC	18	27	34.5	Full
B1827FHRIB-TC	18	27	34.5	Full
B21FHLIB-TC	21	24	34.5	Full
B21FHRIB-TC	21	24	34.5	Full
B2127FHLIB-TC	21	27	34.5	Full
B2127FHRIB-TC	21	27	34.5	Full

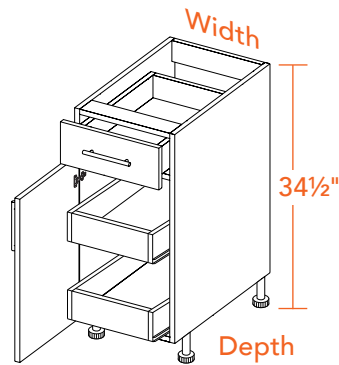
MOST POPULAR

ISLAND BACK BASE CABINETS

Single Door & Drawer With 2 Roll-Out Trays

SPECIFY RIGHT or LEFT HINGED

- Roll-out trays feature soft close, side mounted, ball bearing stainless steel drawer glides
- Roll-out tray is 6" high by 21 3/4" deep, and is constructed of 3/4" All-Weatherboard® composite material construction, sides and bottom panel
- 3/4" All-Weatherboard® composite material cabinet construction
- Fully integrated back panel
- Includes 4 'Sure Level' polymer legs, shipped loose for field installation and leveling
- Available in all door styles and finishes
- Stainless steel handles sold separately

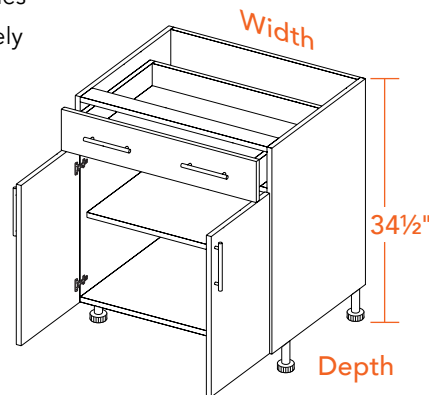


*27" deep base cabinets have the same roll-out tray as the 24" deep cabinets

Item Number	Width	Depth	Height	Back
B12LIB-2T	12	24	34.5	Full
B12RIB-2T	12	24	34.5	Full
B1227LIB-2T*	12	27	34.5	Full
B1227RIB-2T*	12	27	34.5	Full
B15LIB-2T	15	24	34.5	Full
B15RIB-2T	15	24	34.5	Full
B1527LIB-2T*	15	27	34.5	Full
B1527RIB-2T*	15	27	34.5	Full
B18LIB-2T	18	24	34.5	Full
B18RIB-2T	18	24	34.5	Full
B1827LIB-2T*	18	27	34.5	Full
B1827RIB-2T*	18	27	34.5	Full
B21LIB-2T	21	24	34.5	Full
B21RIB-2T	21	24	34.5	Full
B2127LIB-2T*	21	27	34.5	Full
B2127RIB-2T*	21	27	34.5	Full

Double Door & Drawer

- Single full depth adjustable shelf
- 3/4" All-Weatherboard® composite material cabinet construction
- Fully integrated back panel
- Includes 4 'Sure Level' polymer legs, shipped loose for field installation and leveling
- Available in all door styles and finishes
- Stainless steel handles sold separately



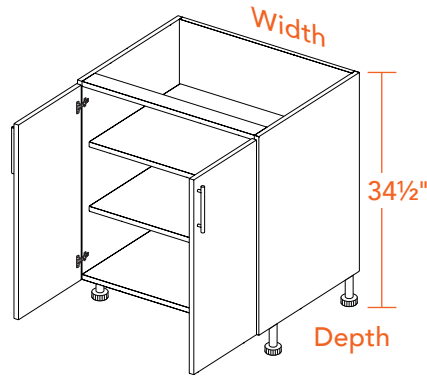
Item Number	Width	Depth	Height	Back
B24IB	24	24	34.5	Full
B2427IB	24	27	34.5	Full
B27IB	27	24	34.5	Full
B2727IB	27	27	34.5	Full
B30IB	30	24	34.5	Full
B3027IB	30	27	34.5	Full
B33IB	33	24	34.5	Full
B3327IB	33	27	34.5	Full
B36IB	36	24	34.5	Full
B3627IB	36	27	34.5	Full

ISLAND BACK BASE CABINETS

Full Height Double Door

- Two full-depth adjustable shelves
- 3/4" All-Weatherboard® composite material cabinet construction
- Fully integrated back panel
- Includes 4 'Sure Level' polymer legs, shipped loose for field installation and leveling
- Available in all door styles and finishes
- Stainless steel handles sold separately

34.5" High

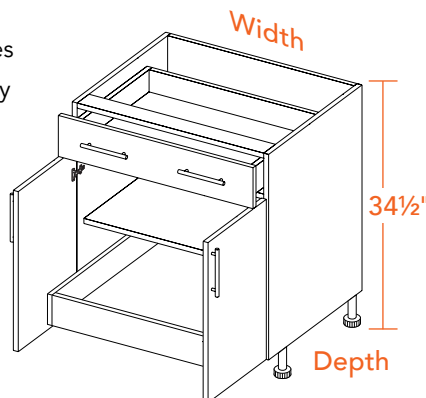


Item Number	Width	Depth	Height	Back
B2418FHIB	24	18	34.5	Full
B2421FHIB	24	21	34.5	Full
B24FHIB	24	24	34.5	Full
B2427FHIB	24	27	34.5	Full
B2718FHIB	27	18	34.5	Full
B2721FHIB	27	21	34.5	Full
B27FHIB	27	24	34.5	Full
B2727FHIB	27	27	34.5	Full
B3018FHIB	30	18	34.5	Full
B3021FHIB	30	21	34.5	Full
B30FHIB	30	24	34.5	Full
B3027FHIB	30	27	34.5	Full
B3318FHIB	33	18	34.5	Full
B3321FHIB	33	21	34.5	Full
B33FHIB	33	24	34.5	Full
B3327FHIB	33	27	34.5	Full
B3618FHIB	36	18	34.5	Full
B3621FHIB	36	21	34.5	Full
B36FHIB	36	24	34.5	Full
B3627FHIB	36	27	34.5	Full

Double Door & Drawer With 1 Roll-Out Tray

- Roll-out tray features soft close, side mounted, ball bearing stainless steel drawer glides
- Roll-out tray is 6" high by 21 3/4" deep, and is constructed of 3/4" All-Weatherboard® composite material construction, sides and bottom panel
- 3/4" All-Weatherboard® composite material cabinet construction
- Fully integrated back panel
- Includes 4 'Sure Level' polymer legs, shipped loose for field installation and leveling
- Available in all door styles and finishes
- Stainless steel handles sold separately

34.5" High



Item Number	Width	Depth	Height	Back
B24IB-1T	24	24	34.5	Full
B2427IB-1T*	24	27	34.5	Full
B27IB-1T	27	24	34.5	Full
B2727IB-1T*	27	27	34.5	Full
B30IB-1T	30	24	34.5	Full
B3027IB-1T*	30	27	34.5	Full
B33IB-1T	33	24	34.5	Full
B3327IB-1T*	33	27	34.5	Full
B36IB-1T	36	24	34.5	Full
B3627IB-1T*	36	27	34.5	Full

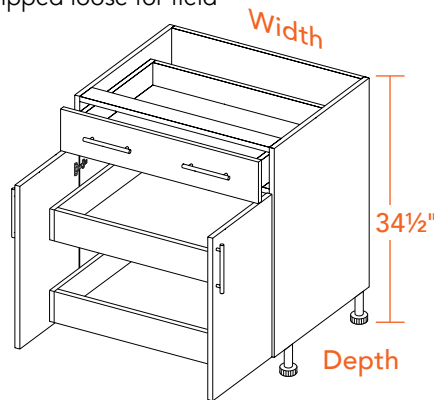
*27" deep base cabinets have the same roll-out tray as the 24" deep cabinets

ISLAND BACK BASE CABINETS

Double Door & Drawer With 2 Roll-Out Trays

- Roll-out trays feature soft close, side mounted, ball bearing stainless steel drawer glides
- Roll-out tray is 6" high by 21 ¾" deep, and is constructed of ¾" All-Weatherboard® composite material construction, sides and bottom panel
- ¾" All-Weatherboard® composite material cabinet construction
- Fully integrated back panel
- Includes 4 'Sure Level' polymer legs, shipped loose for field installation and leveling
- Available in all door styles and finishes

34.5" High



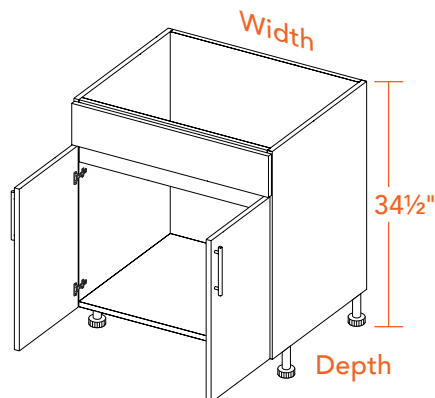
*27" deep base cabinets have the same roll-out tray as the 24" deep cabinets

Item Number	Width	Depth	Height	Back
B24IB-2T	24	24	34.5	Full
B2427IB-2T*	24	27	34.5	Full
B27IB-2T	27	24	34.5	Full
B2727IB-2T*	27	27	34.5	Full
B30IB-2T	30	24	34.5	Full
B3027IB-2T*	30	27	34.5	Full
B33IB-2T	33	24	34.5	Full
B3327IB-2T*	33	27	34.5	Full
B36IB-2T	36	24	34.5	Full
B3627IB-2T*	36	27	34.5	Full

Double Door Sink Base

- ¾" All-Weatherboard® composite material cabinet construction
- False drawer front to accommodate sink
- No adjustable shelf
- Fully integrated back panel
- Includes 4 'Sure Level' polymer legs, shipped loose for field installation and leveling
- Available in all door styles and finishes
- Stainless steel handles sold separately

34.5" High



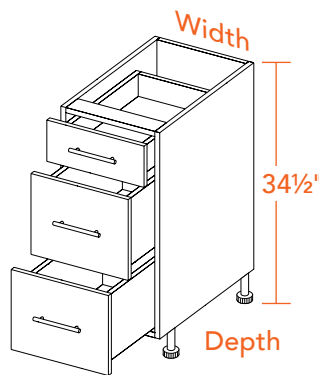
Item Number	Width	Depth	Height	Back
SB2418IB	24	18	34.5	Full
SB2421IB	24	21	34.5	Full
SB24IB	24	24	34.5	Full
SB2427IB	24	27	34.5	Full
SB2718IB	27	18	34.5	Full
SB2721IB	27	21	34.5	Full
SB27IB	27	24	34.5	Full
SB2727IB	27	27	34.5	Full
SB3018IB	30	18	34.5	Full
SB3021IB	30	21	34.5	Full
SB30IB	30	24	34.5	Full
SB3027IB	30	27	34.5	Full
SB3318IB	33	18	34.5	Full
SB3321IB	33	21	34.5	Full
SB33IB	33	24	34.5	Full
SB3327IB	33	27	34.5	Full
SB3618IB	36	18	34.5	Full
SB3621IB	36	21	34.5	Full
SB36IB	36	24	34.5	Full
SB3627IB	36	27	34.5	Full

ISLAND BACK BASE CABINETS

Island Back Drawer Base Cabinet Coding				
B 3D 12 27 IB				
B	3D	12	27	IB
Cabinet Code	Three Drawers	Width	Depth	Island Back

3 Drawer Base

- 3/4" All-Weatherboard® composite material cabinet construction
- Top drawer front is 6" high
- Middle and bottom drawer fronts are 12" high
- Fully integrated back panel
- Includes 4 'Sure Level' polymer legs, shipped loose for field installation and leveling
- Available in all door styles and finishes

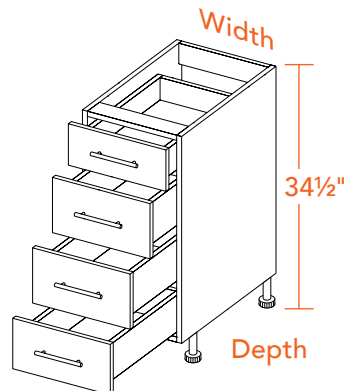


34.5" High

Item Number	Width	Depth	Height	Back
B3D12IB	12	24	34.5	Full
B3D1227IB	12	27	34.5	Full
B3D15IB	15	24	34.5	Full
B3D1527IB	15	27	34.5	Full
B3D18IB	18	24	34.5	Full
B3D1827IB	18	27	34.5	Full
B3D21IB	21	24	34.5	Full
B3D2127IB	21	27	34.5	Full
B3D24IB	24	24	34.5	Full
B3D2427IB	24	27	34.5	Full

4 Drawer Base

- 3/4" All-Weatherboard® composite material cabinet construction
- Top drawer front is 6" high
- Bottom three drawer fronts are 8" high
- Fully integrated back panel
- Includes 4 'Sure Level' polymer legs, shipped loose for field installation and leveling
- Available in all door styles and finishes
- Stainless steel handles sold separately



34.5" High

Item Number	Width	Depth	Height	Back
B4D12IB	12	24	34.5	Full
B4D1227IB	12	27	34.5	Full
B4D15IB	15	24	34.5	Full
B4D1527IB	15	27	34.5	Full
B4D18IB	18	24	34.5	Full
B4D1827IB	18	27	34.5	Full
B4D21IB	21	24	34.5	Full
B4D2127IB	21	27	34.5	Full
B4D24IB	24	24	34.5	Full
B4D2427IB	24	27	34.5	Full

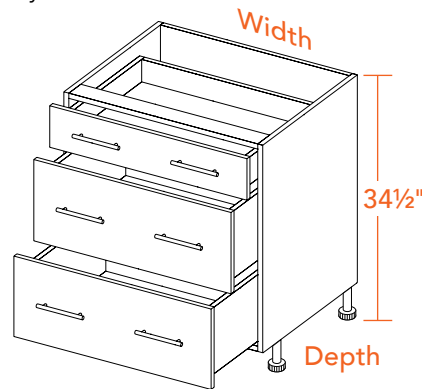
ISLAND BACK BASE CABINETS

Wide 3 Drawer Base

- 3/4" All-Weatherboard® composite material cabinet construction
- Top drawer front is 6" high
- Middle and bottom drawer fronts are 12" high
- Fully integrated back panel
- Includes 4 'Sure Level' polymer legs, shipped loose for field installation and leveling
- Available in all door styles and finishes
- Stainless steel handles sold separately

34.5" High

Item Number	Width	Depth	Height	Back
B3D27IB	27	24	34.5	Full
B3D2727IB	27	27	34.5	Full
B3D30IB	30	24	34.5	Full
B3D3027IB	30	27	34.5	Full
B3D33IB	33	24	34.5	Full
B3D3327IB	33	27	34.5	Full
B3D36IB	36	24	34.5	Full
B3D3627IB	36	27	34.5	Full

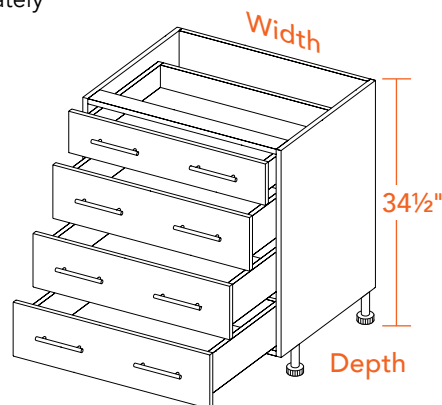


Wide 4 Drawer Base

- 3/4" All-Weatherboard® composite material cabinet construction
- Top drawer front is 6" high
- Bottom three drawer fronts are 8" high
- Fully integrated back panel
- Includes 4 'Sure Level' polymer legs, shipped loose for field installation and leveling
- Available in all door styles and finishes
- Stainless steel handles sold separately

34.5" High

Item Number	Width	Depth	Height	Back
B4D27IB	27	24	34.5	Full
B4D2727IB	27	27	34.5	Full
B4D30IB	30	24	34.5	Full
B4D3027IB	30	27	34.5	Full
B4D33IB	33	24	34.5	Full
B4D3327IB	33	27	34.5	Full
B4D36IB	36	24	34.5	Full
B4D3627IB	36	27	34.5	Full



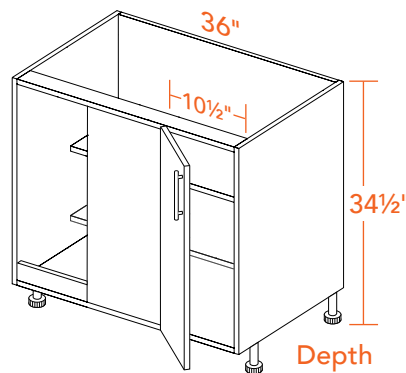
ISLAND BACK BASE CABINETS

Blind Base

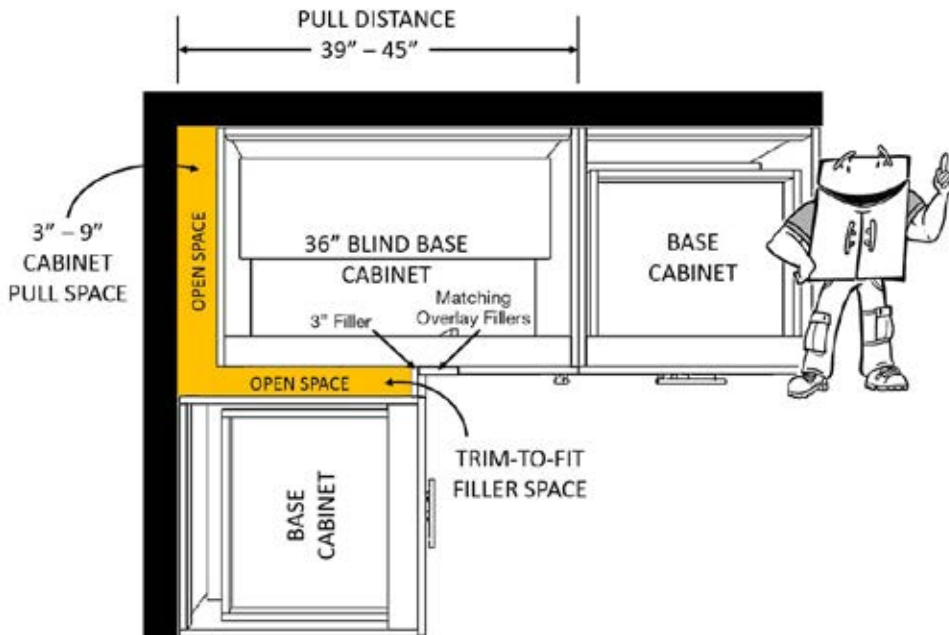
SPECIFY RIGHT or LEFT BLIND (left shown)

- Two reduced depth adjustable shelves
- 3" filler, 3" & 6" overlay fillers included
- 3/4" All-Weatherboard® composite material cabinet construction
- Fully integrated back panel
- Includes 4 'Sure Level' polymer legs, shipped loose for field installation and leveling
- Available in all door styles and finishes
- Door width is 12", opening is 10 1/2"
- Stainless steel handles sold separately

Item Number	Width	Depth	Height	Back
34.5" High BBCU3918FHLIB	36	18	34.5	Full
BBCU3918FHRIB	36	18	34.5	Full
BBCU3921FHLIB	36	21	34.5	Full
BBCU3921FHRIB	36	21	34.5	Full
BBCU39FHLIB	36	24	34.5	Full
BBCU39FHRIB	36	24	34.5	Full
BBCU3927FHLIB	36	27	34.5	Full
BBCU3927FHRIB	36	27	34.5	Full



Blind Base Tip: The Blind Base cabinet is 36" wide. It must be installed from 3" to 9" away from the adjacent wall. This allows the door full clearance and provides a flexible installation range. From the adjacent wall to the far edge of the cabinet, a minimum width of 39" to a maximum width of 45" is required.



ISLAND BACK SIDE BURNER CABINETS

IMPORTANT INFORMATION

Side Burner base cabinets with a width of 15" to 24" include 4 ventilation outlets to allow the release of possible heat or gas buildup.

1 in the toe kick panel
1 in the base shelf
2 loose, to be used on the exterior of the base cabinet at the end of a cabinet run. Placement will be high or low depending on the type of gas (LP vs. NG)

Side Burner base cabinets with a width of 30" include 6 ventilation outlets to allow the release of possible heat or gas buildup.

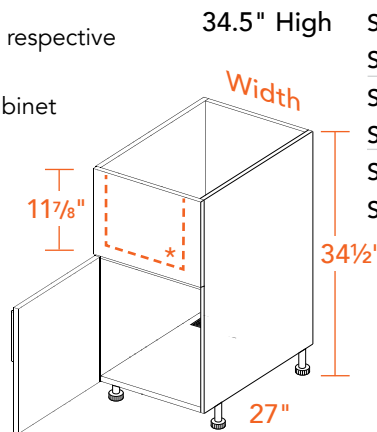
2 in the toe kick panel
2 in the base shelf
2 loose, to be used on the exterior of the base cabinet at the end of a cabinet run. Placement will be high or low depending on type of gas (LP vs. NG)

Please Note: Heat Liner must be used with all Side Burner and Grill Cabinets

Side Burner Single Door Base

- The face plate is modified in field to accept the respective heat liner used with the side burner
- 3/4" All-Weatherboard® composite material cabinet construction
- Fully integrated back panel
- Includes 4 'Sure Level' polymer legs, shipped loose for field installation and leveling
- Available in all door styles and finishes
- Separate toe kick with vent included

Please Note: All built in side burners require an insulated jacket. Please consult your side burner manufacturer for the appropriate model.

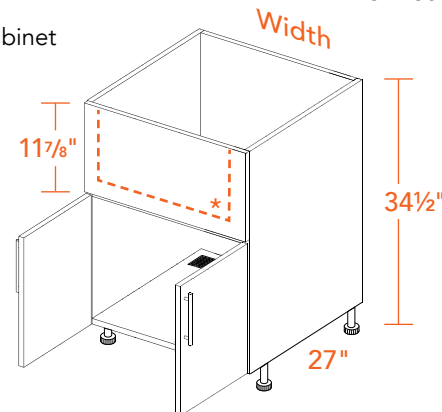


Item Number	Width	Depth	Height	Back
SBB15LIB	15	27	34.5	Full
SBB15RIB	15	27	34.5	Full
SBB18LIB	18	27	34.5	Full
SBB18RIB	18	27	34.5	Full
SBB21LIB	21	27	34.5	Full
SBB21RIB	21	27	34.5	Full

Side Burner Double Door Base

- The face plate is modified in field to accept the respective heat liner used with the side burner
- 3/4" All-Weatherboard® composite material cabinet construction
- Fully integrated back panel
- Includes 4 'Sure Level' polymer legs, shipped loose for field installation and leveling
- Available in all door styles and finishes
- Separate toe kick with vent included
- Stainless steel handles sold separately

Please Note: All built in side burners require an insulated jacket. Please consult your side burner manufacturer for the appropriate model.



Item Number	Width	Depth	Height	Back
SBB24IB	24	27	34.5	Full
SBB30IB	30	27	34.5	Full

*Grill and side burner cabinets are manufactured with two full upper face plates that will need to be field modified to accept the respective heat liner used with the gas grill or side burner.

The second matching panel will be shipped loose for ease of modification and installation. It can be attached with stainless steel screws or a suitable construction grade adhesive. Under no circumstance should a grill or side burner be installed without the appropriate heat liner specified by the manufacturer of the appliance.



ISLAND BACK GRILL CABINETS

Grill Double Door Base

- The face plate is modified in field to accept the respective heat liner used with the gas grill
- 3/4" All-Weatherboard® composite material cabinet construction
- Fully integrated back panel
- Includes 4 'Sure Level' polymer legs, shipped loose for field installation and leveling
- Available in all door styles and finishes
- Separate toe kick with vent included
- Stainless steel handles sold separately

34.5" High

Item Number	Width	Depth	Height	Back
GB361B	36	27	34.5	Full
GB421B	42	27	34.5	Full

Please Note

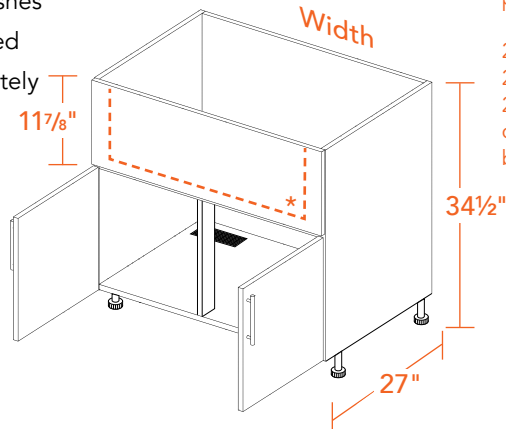
All built in grill heads require an insulated jacket. Please consult your grill manufacturer for the appropriate model.

6 ventilation outlets included to allow the release of possible heat or gas build-up.

2 in the toe kick panel

2 in the base shelf

2 loose to be used on the exterior of the base cabinet at the end of a cabinet run. Placement will be high or low depending on type of gas (LP vs. NG)



Grill Three Door Base

- The face plate is modified in field to accept the respective heat liner used with the gas grill
- 3/4" All-Weatherboard® composite material cabinet construction
- Fully integrated back panel
- Includes 4 'Sure Level' polymer legs, shipped loose for field installation and leveling
- Available in all door styles and finishes
- Separate toe kick with vent included
- Stainless steel handles sold separately

34.5" High

Item Number	Width	Depth	Height	Back
GB481B	48	27	34.5	Full

Please Note

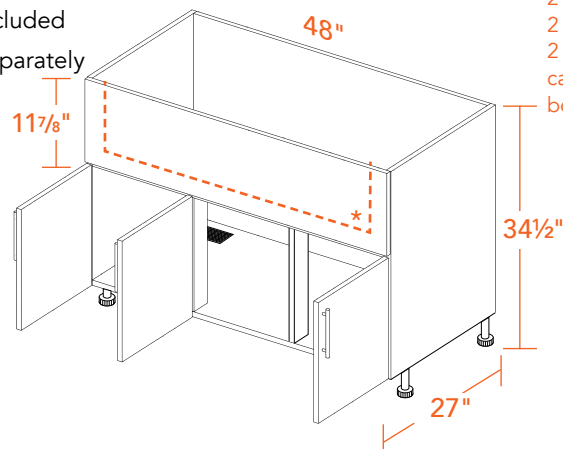
All built in grill heads require an insulated jacket. Please consult your grill manufacturer for the appropriate model.

6 ventilation outlets included to allow the release of possible heat or gas build-up.

2 in the toe kick panel

2 in the base shelf

2 loose to be used on the exterior of the base cabinet at the end of a cabinet run. Placement will be high or low depending on type of gas (LP vs. NG)

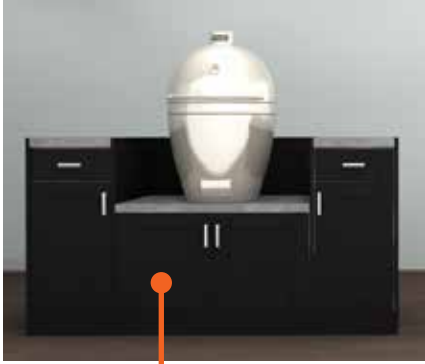


*Grill cabinets are manufactured with two full upper face plates that will need to be field modified to accept the heat liner used with the gas grill. The second matching panel will be shipped loose for ease of modification and installation. It can be attached with stainless steel screws or a suitable construction grade adhesive. Under no circumstance should a grill be installed without the appropriate heat liner specified by the manufacturer of the appliance or warranty is invalid.

DESIGN TIPS – KAMADO STYLE GRILLS

Design Tips and Tricks: WeatherStrong Cabinetry – Kamado style grills

Kamado style grills come in various brands and sizes. With that in mind, here are a couple options to accommodate these grills. Please keep in mind that they are achieved through field modification and construction. Using a wall bridge cabinet (15" or 18" tall), some matching base ends and a pack of legs, you can achieve a solution for these types of grills.



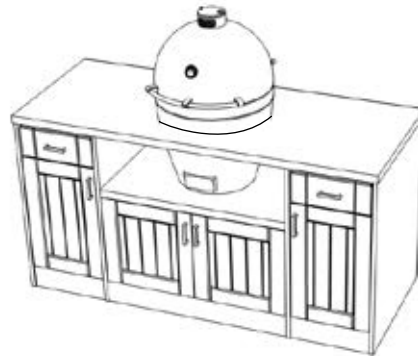
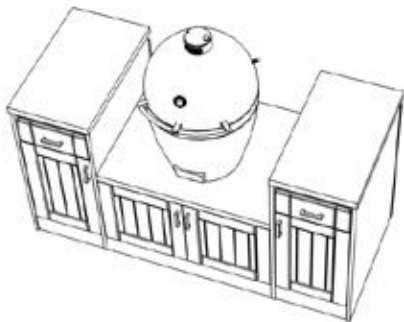
W361518OB pulled forward to meet 27" deep cabinets on each side. Depending on the height of your grill, you may need to use a 15" high.



W361518OB pulled forward to meet 24" deep cabinets on the right side. The panels on each side are cut to fit the height of the cabinets to create an open look.

Each of the above methods will require a support brace to be built, behind the wall cabinet, to support the rear of the countertop and the grill. This can be done using treated lumber secured to the wall, or to the floor. Be sure to reference the grill Manufacturer's recommendations for heat clearances around the grill.

If desired, the countertop can be installed around the grill (see below). However the homeowner or installer will need to review this with their countertop fabricator before the template



If there will be a wall, directly behind the Kamado grill, make sure to refer to the manufacturer's recommendations for clearances, to ensure that the lid can be opened.

OPEN BACK UTILITY CABINETS

Open Back Utility Cabinet Coding				
U 18 18 84 L				
U	18	18	84	L
Cabinet Code	Width	Depth	Height	Left Hinge

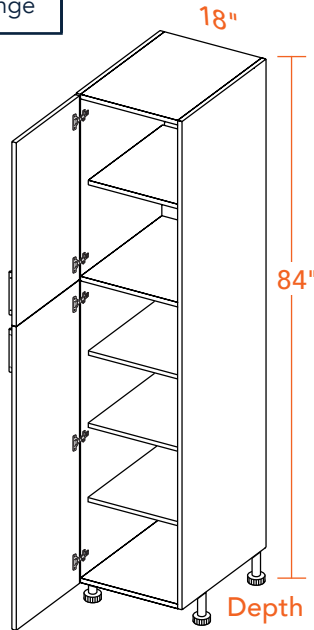
84" High

Item Number	Width	Depth	Height	Back
U181884L	18	18	84	Open
U181884R	18	18	84	Open
U182184L	18	21	84	Open
U182184R	18	21	84	Open
U1884L	18	24	84	Open
U1884R	18	24	84	Open

Utility Cabinet

SPECIFY RIGHT or LEFT HINGED

- 4 full depth adjustable shelves
- 3/4" All-Weatherboard® composite material cabinet construction
- No back panel, three 10" high mounting rails - top, middle, bottom
- Includes 4 'Sure Level' polymer legs, shipped loose for field installation and leveling
- Available in all door styles and finishes
- Stainless steel handles sold separately



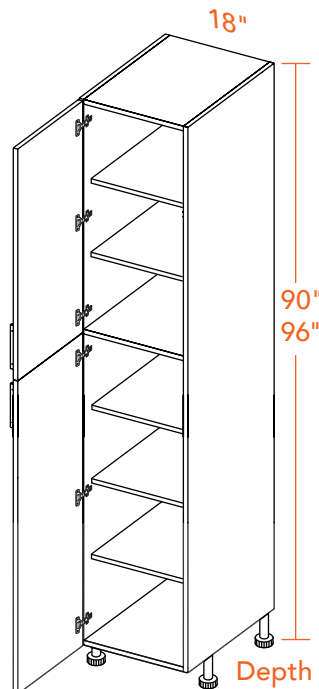
Utility Cabinet

SPECIFY RIGHT or LEFT HINGED

- 5 full depth adjustable shelves
- 3/4" All-Weatherboard® composite material cabinet construction
- No back panel, three 10" high mounting rails - top, middle, bottom
- Includes 4 'Sure Level' polymer legs, shipped loose for field installation and leveling
- Available in all door styles and finishes
- Stainless steel handles sold separately

90" High

Item Number	Width	Depth	Height	Back
U181890L	18	18	90	Open
U181890R	18	18	90	Open
U182190L	18	21	90	Open
U182190R	18	21	90	Open
U1890L	18	24	90	Open
U1890R	18	24	90	Open
U181896L	18	18	96	Open
U181896R	18	18	96	Open
U182196L	18	21	96	Open
U182196R	18	21	96	Open
U1896L	18	24	96	Open
U1896R	18	24	96	Open



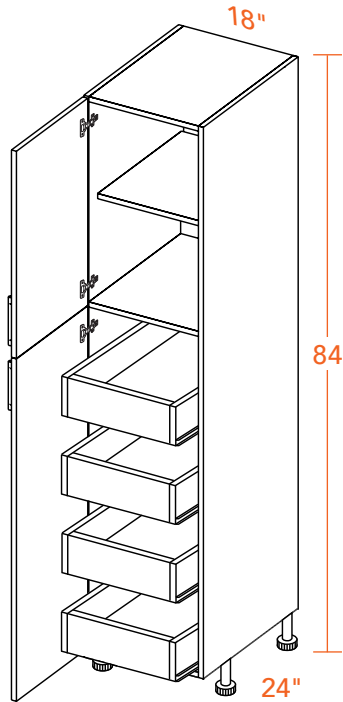
96" High

OPEN BACK UTILITY CABINETS

Utility Cabinet With 4 Roll-Out Trays

SPECIFY RIGHT or LEFT HINGED

- 1 full depth adjustable shelves and 4 roll-out trays
- Roll-out trays feature soft close, side mounted, ball bearing stainless steel drawer glides
- Roll-out Tray is ¾" All-Weatherboard® composite material construction, sides and bottom panel
- ¾" All-Weatherboard® composite material cabinet construction
- No back panel, three 10" high mounting rails - top, middle, bottom
- Includes 4 'Sure Level' polymer legs, shipped loose for field installation and leveling
- Available in all door styles and finishes
- Stainless steel handles sold separately

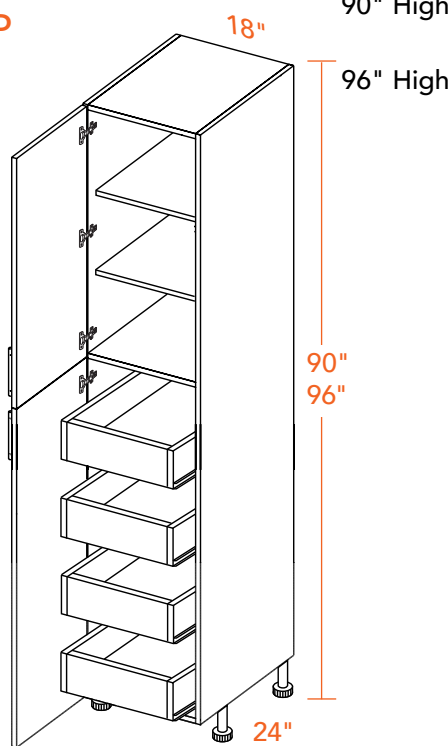


Item Number	Width	Depth	Height	Back
U1884L-4T	18	24	84	Open
U1884R-4T	18	24	84	Open

Utility Cabinet With 4 Roll-Out Trays

SPECIFY RIGHT or LEFT HINGED

- 2 full depth adjustable shelves and 4 roll-out trays
- Roll-out trays feature soft close, side mounted, ball bearing stainless steel drawer glides
- Roll-out Tray is ¾" All-Weatherboard® composite material construction, sides and bottom panel
- ¾" All-Weatherboard® composite material cabinet construction
- No back panel, three 10" high mounting rails - top, middle, bottom
- Includes 4 'Sure Level' polymer legs, shipped loose for field installation and leveling
- Available in all door styles and finishes
- Stainless steel handles sold separately



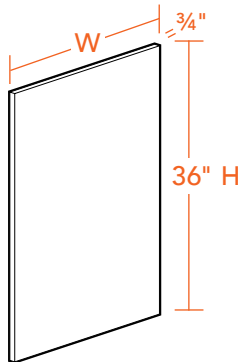
Item Number	Width	Depth	Height	Back
U1890L-4T	18	24	90	Open
U1890R-4T	18	24	90	Open
U1896L-4T	18	24	96	Open
U1896R-4T	18	24	96	Open

MATCHING END PANELS AND DRAWER FRONTS

Matching Base End Panel

- Panels designed to be flush with door. Field trim for desired size.
- Use to cover cabinet sides that are exposed to sunlight and other weather elements.

BEP18
BEP21
BEP24
BEP27

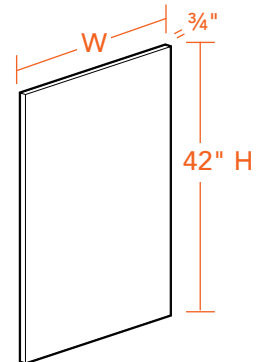


18 7/8" W, 21 7/8" W, 24 7/8" W, 27 7/8" W

Matching Base Tall End Panel

- Panels designed to be flush with door. Field trim for desired size.
- Use to cover cabinet sides that are exposed to sunlight and other weather elements.

BTP23
BTP26
BTP29
BTP32

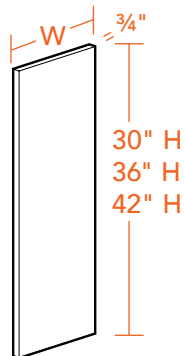


23 1/2" W, 26 1/2" W, 29 1/2" W, 32 1/2" W

Matching Wall End Panels

- Panels designed to be flush with door. Field trim for desired size.
- Use to cover cabinet sides that are exposed to sunlight and other weather elements.

WEP0930A
WEP0936A
WEP0942A
WEP1230A
WEP1236A
WEP1242A
WEP1530A
WEP1536A
WEP1542A

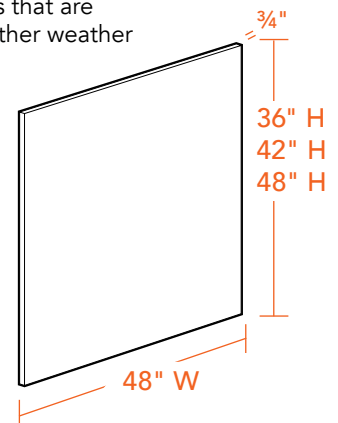


9 7/8" W, 12 7/8" W, 15 7/8" W

Island Panel

- Panels designed to be flush with door. Field trim for desired size.
- Use to cover cabinet backs that are exposed to sunlight and other weather elements.

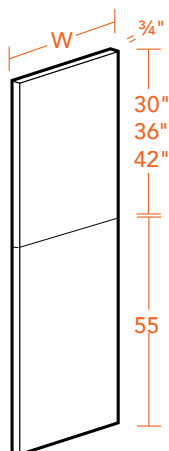
IPL4836
IPL4842
IPL4848



Matching Tall End Panels

- Panels designed to be flush with door. Field trim for desired size.
- Two separate panels included.
- Use to cover cabinet sides that are exposed to sunlight and other weather elements.

TEP1885
TEP1891
TEP1897
TEP2185
TEP2191
TEP2197
TEP2485
TEP2491
TEP2497



18 7/8", 21 7/8", 24 7/8"

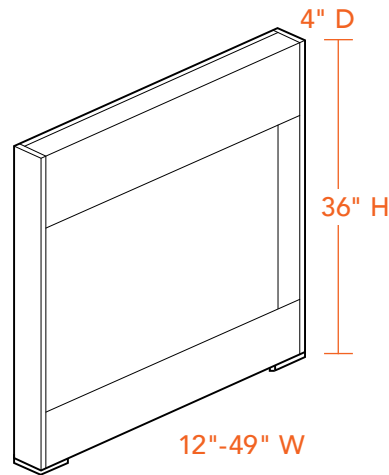
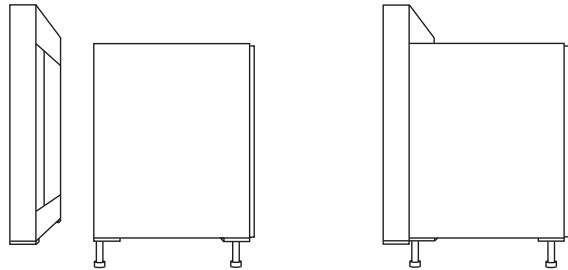
Replacement Grill Drawer Front

Item Number	Description
RPGDF1512	Replacement Grill Drawer Front 14.9X11.9
RPGDF1812	Replacement Grill Drawer Front 17.9X11.9
RPGDF2112	Replacement Grill Drawer Front 20.9X11.9
RPGDF2412	Replacement Grill Drawer Front 23.9X11.9
RPGDF3012	Replacement Grill Drawer Front 29.9X11.9
RPGDF3612	Replacement Grill Drawer Front 35.9X11.9
RPGDF4212	Replacement Grill Drawer Front 41.9X11.9
RPGDF4812	Replacement Grill Drawer Front 47.9X11.9

ACCESSORIES

Bar Riser Kits

- 3/4" All-Weatherboard® composite material cabinet construction
- 4" deep by 36" high
- Requires BTP for field installation to match the cabinet doors
- Can be used with open back base cabinets only



- | | |
|--------------|--------------|
| BRK12 | BRK36 |
| BRK15 | BRK39 |
| BRK18 | BRK42 |
| BRK21 | BRK45 |
| BRK24 | BRK46 |
| BRK27 | BRK47 |
| BRK30 | BRK48 |
| BRK33 | BRK49 |

3" Wide Fillers

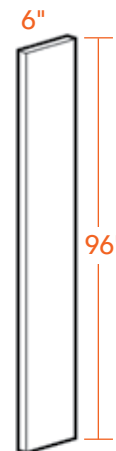
- Available in all finishes



- 30" Tall**
FS330A
- 36" Tall**
FS336A
- 42" Tall**
FS342A
- 84" Tall**
FS384A
- 90" Tall**
FS390A
- 96" Tall**
FS396A

6" Wide Filler/Toe Kick

- Available in all finishes

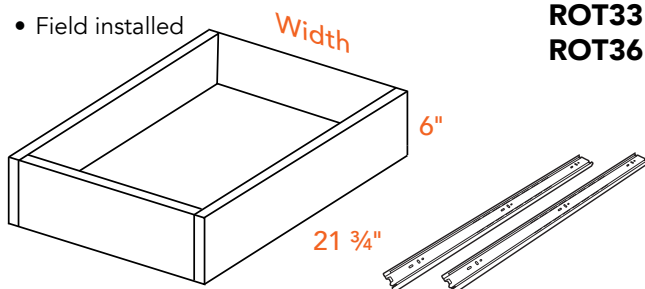


PLEASE NOTE
6"X96" FILLER CAN ALSO BE MODIFIED ON SITE TO BE USED AS A MATCHING TOE KICK ONCE CABINETS ARE INSTALLED ON LEGS

- 30" Tall**
FS630A
- 36" Tall**
FS636A
- 42" Tall**
FS642A
- 96" Tall**
FS696A

Roll-Out Tray Kits

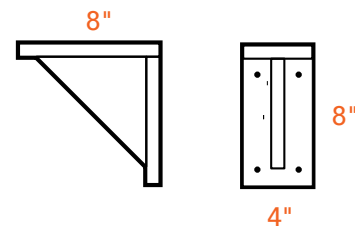
- 3/4" All-Weatherboard® composite material construction, 4-sides and bottom panel
- Soft close, side mounted, ball bearing stainless steel runners and screws
- ROT12 fits 12" wide cabinet, etc.
- Field installed



- ROT12**
- ROT15**
- ROT18**
- ROT21**
- ROT24**
- ROT27**
- ROT30**
- ROT33**
- ROT36**

Corbel/Countertop Support

- Available in all finishes
- Requires stainless steel installation screws, sold separately



SIDE VIEW FRONT VIEW

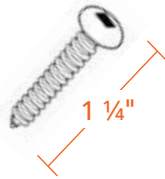
CBL8

ACCESSORIES

1 1/4" Stainless Steel Cabinet Joining Screws (30 Pack)

30 Pack
WSSS1.25-SCREW KIT

- Square Head Drill Bit included
- Used for joining cabinets together and for installing Matching Panels and Corbels

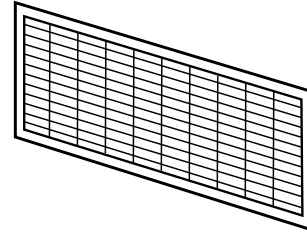


CABINET TYPE	QTY.	LOCATION
Bases	2	Front Edge
Island Base	4	Front & Back Edges
Bar Base	4	Front & Back Edges
Walls up to 30" H	2	Front Edge
Walls 36 & 42" H	3	Front Edge

9" Ventilation Grill

WS-VENT

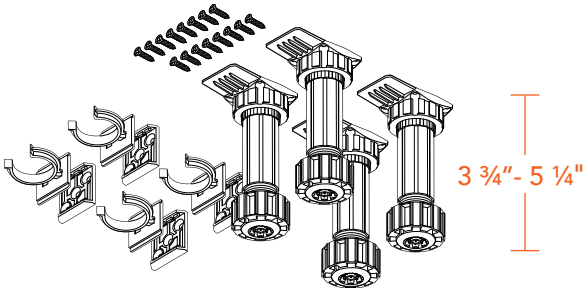
- Fits 8 5/8" x 2 3/8" ventilation hole
- Secure with suitable construction adhesive (not included)
- Supplied in White, Gray or Almond



Sure Level Legs (4 Pack)

WS-PLASTIC-LEGS

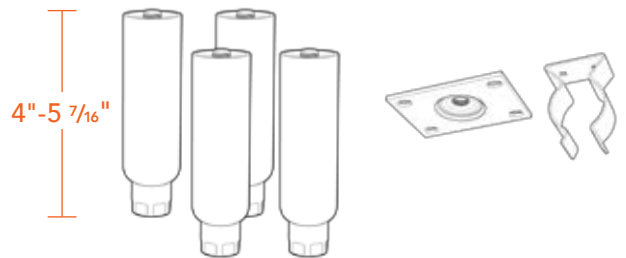
- Includes 4 adjustable legs, 4 mounting plates, 4 toe kick clips and stainless steel screws
- Height adjustment from 3 3/4" to 5 1/4"
- Each leg rated for 330lb static load



Stainless Steel Legs (4 Pack)

STAINLESS-LEGS-4PK

- Includes 4 stainless steel legs, 4 mounting plates, 4 toe kick clips and stainless steel screws
- Height adjustment from 4" to 5 7/16"
- Each leg rated for 2,000lb static load



MOST POPULAR

Full Height Single Door With Propane Pull-out



Featured
on pages
20 and 29

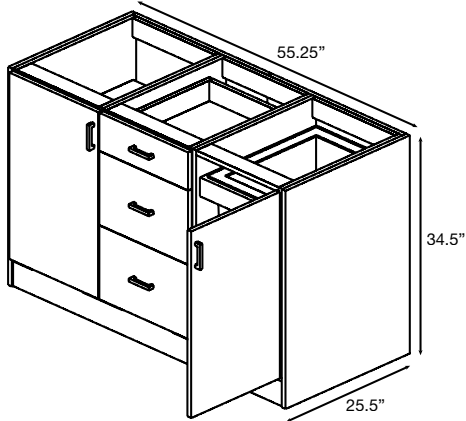
Full Height Single Door With Trashcan Pull-Out



Featured
on pages
21 and 30

ENSEMBLES

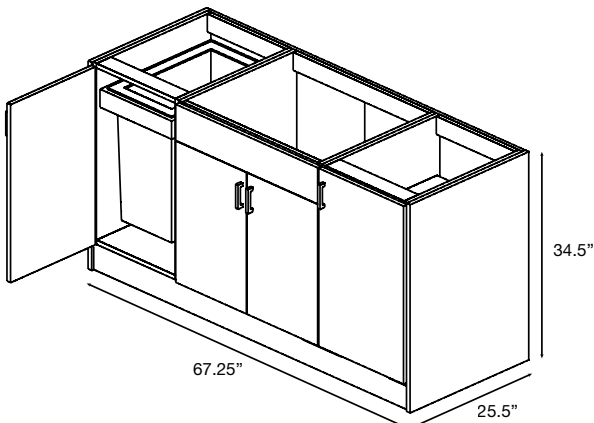
WSE54WC Freestanding Grill Island V2 with Trash



Qty	Item Number	Description
2	BEP24	24-7/8" x 36" Base End Panel
2	BEP27	27-7/8" x 36" Base End Panel (for back)
1	B18FHLOB	18" x 24" Open Back Base Full Hgt
1	B3D18OB	18" x 24" 3-Drawer Open Back Base
1	B18FHROB-TC	18" x 24" Open Bk Base Trash Pullout
5	DH-21021	7-9/32" Stainless Steel Euro Bar Pull
1	FS696A	6" x 96" Toe Kick/Filler
1	WSSS1.25-Screw Kit	1-1/4" Stainless Steel Screws - 30 Pk



WSE66SB 66" Sink Island with Trash

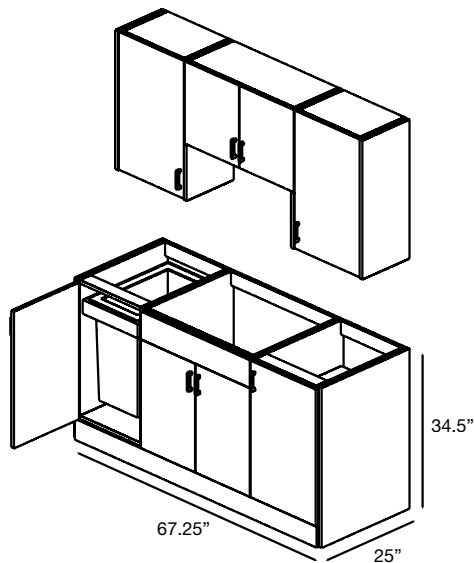


Qty	Item Number	Description
2	BEP24	24-7/8" x 36" Base End Panel
2	IPL4836	48" x 36" Island Panel (for back)
1	B18FHLOB-TC	18" x 24" Open Bk Base Trash Pullout
1	SB30OB	30" x 24" Open Back Sink Base
1	B18FHROB	18" x 24" Open Back Base Full Hgt
4	DH-21021	7-9/32" Stainless Steel Euro Bar Pull
1	FS696A	6" x 96" Toe Kick/Filler
1	WSSS1.25-Screw Kit	1-1/4" Stainless Steel Screws - 30 Pk



ENSEMBLES

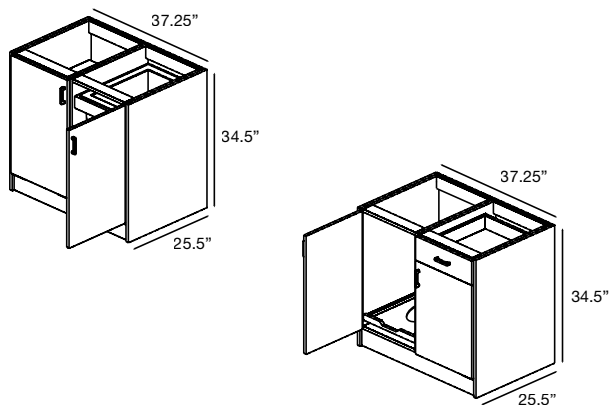
WSE66WMK 66" Unit with Sink Cab, Trash, & Wall Cabs



Qty	Item Number	Description
2	BEP24	24-7/8" x 36" Base End Panel
1	B18FHLOB-TC	18" x 24" Open Bk Base Trash Pullout
1	SB30OB	30" x 24" Open Back Sink Base
1	B18FHROB	18" x 24" Open Back Base Full Hgt
4	WEP1230A	12-7/8" x 30" Wall End Panel
1	W1830LOB	18" x 30" Open Back Wall
1	W3018OB	30" x 18" Open Back Wall
1	W1830ROB	18" x 30" Open Back Wall
8	DH-21021	7-9/32" Stainless Steel Euro Bar Pull
1	FS696A	6" x 96" Toe Kick/Filler
1	WSSS1.25-Screw Kit	1-1/4" Stainless Steel Screws - 30 Pk



WSE72WC Freestanding Grill Island V1 with Trash



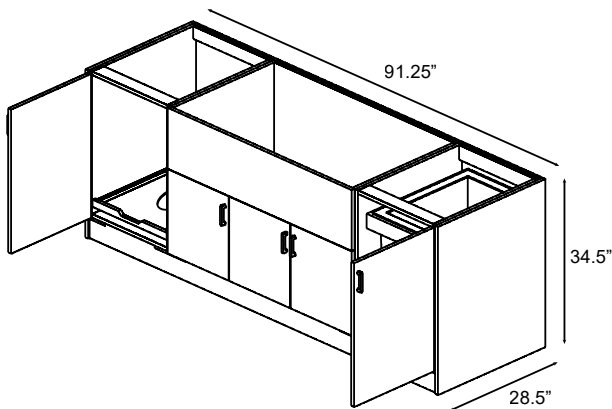
Qty	Item Number	Description
4	BEP24	24-7/8" x 36" Base End Panel
2	IPL4836	48" x 36" Island Panel (for backs)
1	B18FHLOB	18" x 24" Open Back Base Full Hgt
1	B18FHROB-TC	18" x 24" Open Bk Base Trash Pullout
1	B18FHLOB-PP	18" x 24" OB Base Propane Pullout
1	B18FHROB	18" x 24" Open Back Base Full Hgt
4	DH-21021	7-9/32" Stainless Steel Euro Bar Pull
1	FS696A	6" x 96" Toe Kick/Filler
1	WSSS1.25-Screw Kit	1-1/4" Stainless Steel Screws - 30 Pk



ENSEMBLES

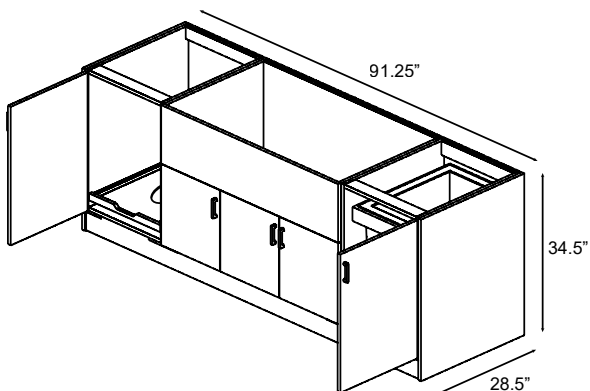
WSE90I 90" Island with Grill Cab & Accessory Cabs

Qty	Item Number	Description
1	B2127FHLOB-PP	21" x 27" OB Base Propane Pullout
1	GB48IB	48" x 27" Island Back Grill Base
1	B2127FHROB-TC	21" x 27" Open Bk Base Trash Pullout
2	BEP27	27-7/8" x 36" Base End Panel
2	IPL4836	48" x 36" Island Panel (for back)
5	DH-21021	7-9/32" Stainless Steel Euro Bar Pull
1	FS696A	6" x 96" Toe Kick/Filler
1	WSSS1.25-Screw Kit	1-1/4" Stainless Steel Screws - 30 Pk



WSE90WM 90" with Grill Cab & Accessory Cabs

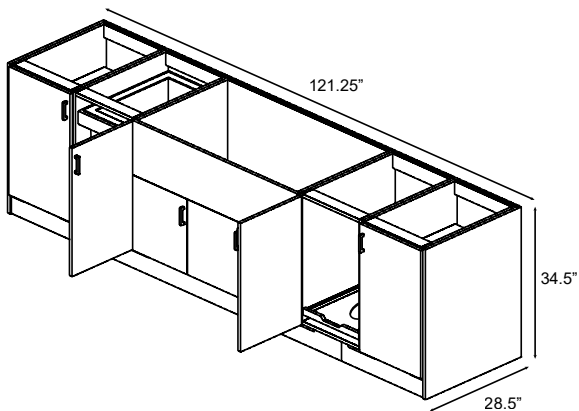
Qty	Item Number	Description
1	B2127FHLOB-PP	21" x 27" OB Base Propane Pullout
1	GB48IB	48" x 27" Island Back Grill Base
1	B2127FHROB-TC	21" x 27" Open Bk Base Trash Pullout
2	BEP27	27-7/8" x 36" Base End Panel
5	DH-21021	7-9/32" Stainless Steel Euro Bar Pull
1	FS696A	6" x 96" Toe Kick/Filler
1	WSSS1.25-Screw Kit	1-1/4" Stainless Steel Screws - 30 Pk



ENSEMBLES

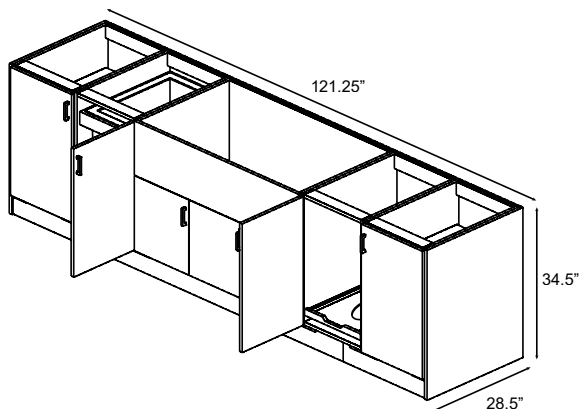
WSE120I 120" Island with Grill Cab & Accessory Cabs

Qty	Item Number	Description
2	BEP27	24-7/8" x 36" Base End Panel
3	IPL4836	48" x 36" Island Panel (for back)
1	B1827FHLOB	18" x 27" Open Back Base Full Hgt
1	B1827FHROB-TC	18" x 27" Open Bk Base Trash Pullout
1	GB48IB	48" x 27" Open Back Grill Base
1	B1827FHLOB-PP	18" x 27" OB Base Propane Pullout
1	B1827FHROB	18" x 27" Open Back Base Full Hgt
7	DH-21021	7-9/32" Stainless Steel Euro Bar Pull
2	FS696A	6" x 96" Toe Kick/Filler
1	WSSS1.25-Screw Kit	1-1/4" Stainless Steel Screws - 30 Pk



WSE120WM 120" with Grill Cab & Accessory Cabs

Qty	Item Number	Description
2	BEP27	24-7/8" x 36" Base End Panel
1	B1827FHLOB	18" x 27" Open Back Base Full Hgt
1	B1827FHROB-TC	18" x 27" Open Bk Base Trash Pullout
1	GB48IB	48" x 27" Open Back Grill Base
1	B1827FHLOB-PP	18" x 27" OB Base Propane Pullout
1	B1827FHROB	18" x 27" Open Back Base Full Hgt
7	DH-21021	7-9/32" Stainless Steel Euro Bar Pull
2	FS696A	6" x 96" Toe Kick/Filler
1	WSSS1.25-Screw Kit	1-1/4" Stainless Steel Screws - 30 Pk



DECORATIVE HARDWARE

Contoured Polished C-Pull

- Stainless steel handle with screws
- 4 1/4" overall length
- 3 15/16" center to center

DH-00171



Euro Bar Pull

- Stainless steel handle with screws
- 7 9/32" overall length
- 5 1/32" center to center

DH-21021



Wide Brushed C-Pull

- Stainless steel handle with screws
- 4 1/8" overall length
- 3 3/4" center to center

DH-45170



Professional Bar Pull

- Stainless steel handle with screws
- 8 3/4" overall length
- 7 1/2" center to center

DH-92170

Please make sure to check the width of your drawer front. The handle fits drawer fronts of 18" wide or more.
Fits all Miami drawer fronts





Outdoor Cabinetry

Limited Warranty

Ideal Cabinetry® (warrantor) warrants to the original consumer purchaser, that the WeatherStrong® branded outdoor cabinets will be free from defects in material and workmanship under normal residential use. The warranty for the Designer Series is for your lifetime as long as you own the cabinetry, and is not transferable. The warranty for the Standard Series is for a period of five years as long as you own the cabinetry and is not transferable. Both warranties are expressly limited to the cabinet carcass, doors, drawers, and shelves. Proof of purchase is required. Items not listed in this warranty are not covered by this warranty. No other warranty express or implied, is applicable to this product. Separate components not produced by Ideal Cabinetry such as countertops, grills, appliances, stainless steel handles, hinges and drawer glides are not covered by this warranty.

This warranty does not cover damage resulting from normal wear, natural aging, accident, misuse, excessive heat, or lack of reasonable and necessary maintenance and service; nor does it warranty the improper installation or unauthorized repair, alteration, modification or defects in the product when the product is installed. For Designer Series cabinetry, excessive heat is a surface temp $>265^{\circ}$, for Standard Series cabinets, excessive heat is a surface temp $>140^{\circ}$. This warranty is limited to the repair or replacement of the defective part at the sole discretion of warrantor.

Although Ideal Cabinetry uses the best available materials and does extensive testing for finish endurance, some fading may occur and is considered normal. For coastal locations, some deterioration is considered normal wear in this environment.

It is our option to provide repair parts or replace with functionally equivalent product. Return of product may be required for replacements. Such repair parts or replacement shall be at warrantor's expense, but customer shall bear all other expenses, including, but not limited to, cost of removal, transportation, re-installation, communication and any special service required by customer such as, overtime labor, etc. Ideal Cabinetry shall not be liable for the loss of use of the product, inconvenience, loss or any other damages, direct or consequential, arising out of the use of or inability to use the product. Due to the nature of the product, replacement product may vary from original purchased product.

In the event of a WeatherStrong brand warranted product performance issue, submit request including proof of purchase documentation, specific description of warranty issue (include photos) in writing to:

Warranty Department
210 Century Boulevard
Bartow, FL 33830

Ideal Cabinetry reserves the right to alter design, specifications and material without obligation to make changes to product previously manufactured.

EXCEPT TO THE EXTENT PROVIDED BY APPLICABLE LAW, ALL IMPLIED WARRANTIES, INCLUDING WARRANTIES OF MERCHANTABILITY AND FITNESS FOR A PARTICULAR PURPOSE, ARE LIMITED IN DURATION TO THE SHORTER OF THE PERIOD PROVIDED BY LAW OR THE PERIOD OF THIS WARRANTY, AND UNDER NO CIRCUMSTANCE SHALL IDEAL CABINETRY BE LIABLE FOR INCIDENTAL OR CONSEQUENTIAL DAMAGES SUSTAINED IN CONNECTION WITH THE PRODUCT. THE EXPRESS WARRANTY ABOVE CONSTITUTES THE ENTIRE WARRANTY AND IS IN LIEU OF ALL OTHERS EXPRESSED OR IMPLIED.

Some states do not allow the exclusion or limitation of incidental or consequential damages, or limitation on how long an implied warranty lasts, therefore, the above limitations or exclusions may not apply to you. This warranty gives you specific legal rights, and you may also have other rights, which vary from state to state.

INDEMNITY

Ideal Cabinetry shall not be liable for either its failure to perform or its delays in performance hereunder arising out of or resulting from causes beyond its control, including but not limited to, acts of God, acts of Representation, acts of Government, wars, fires, floods, epidemics, quarantine, strike, freight embargoes, weather, or default by suppliers due to any such causes.



weatherstrong[®]
Outdoor Cabinetry

weatherstrong.com

888-745-0004

