

**WINTER / SPRING
2021**

NEW
PRODUCT
LAUNCH

fabuwood®

FUSION

The transitional Fusion line stands out with its wide rail moldings, distinctive detailing and classic profiling.



IMPERIO

The transitional Imperio line stands out with its flat panel and applied molding. This style combines classic detail with an up-to-date feel.

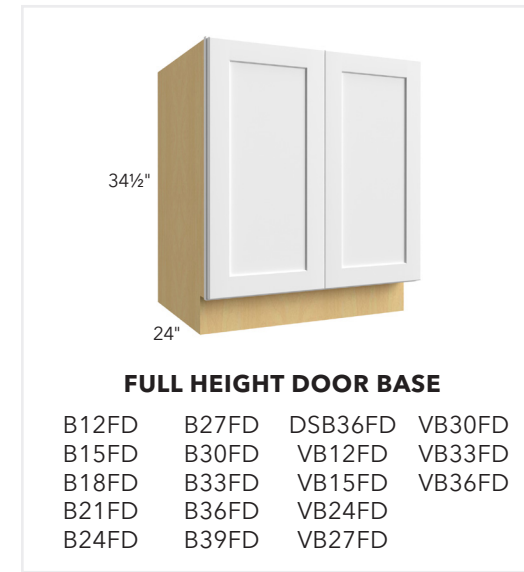




15" HIGH DIAGONAL WALL CABINET
WDC2415



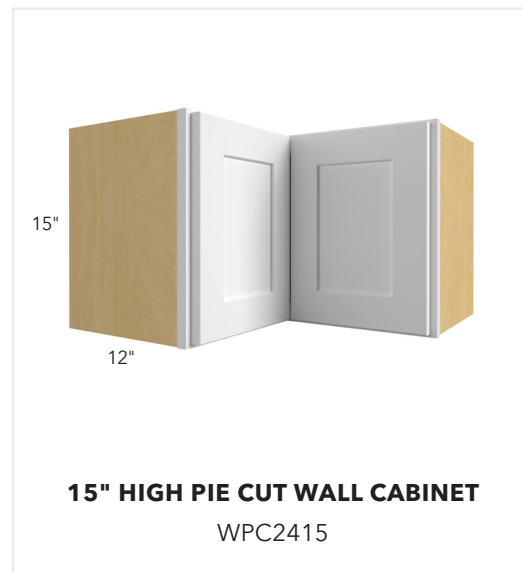
WALL APPLIANCE CABINET
WAC3018



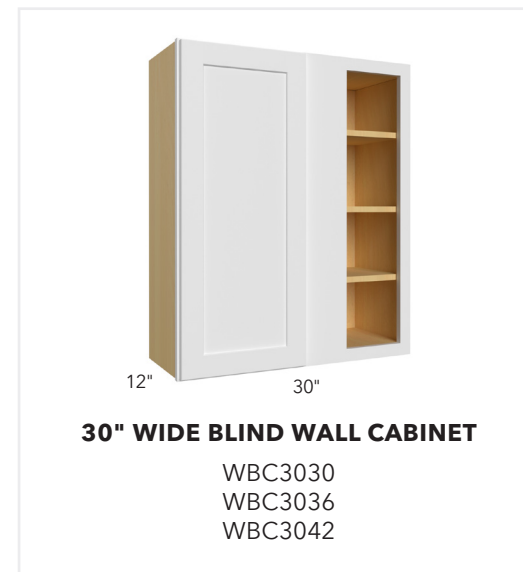
FULL HEIGHT DOOR BASE
B12FD B27FD DSB36FD VB30FD
B15FD B30FD VB12FD VB33FD
B18FD B33FD VB15FD VB36FD
B21FD B36FD VB24FD
B24FD B39FD VB27FD



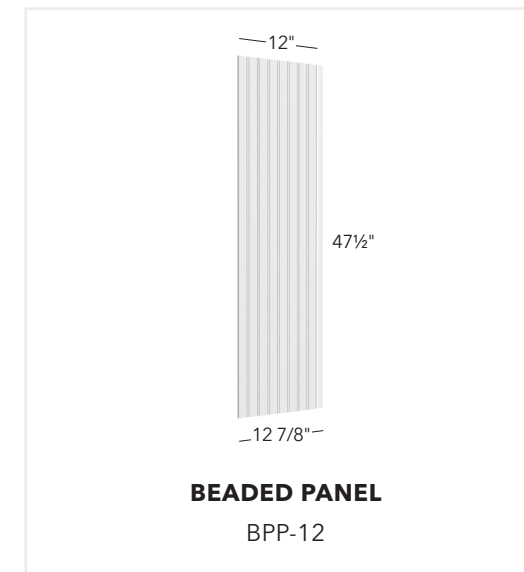
60" HIGH GLASS DOOR
(TO BE USED FOR WD1860 CABINET)
GDWD1860



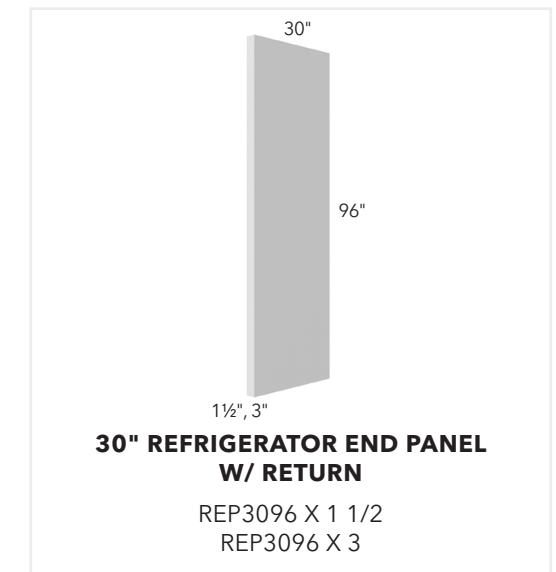
15" HIGH PIE CUT WALL CABINET
WPC2415



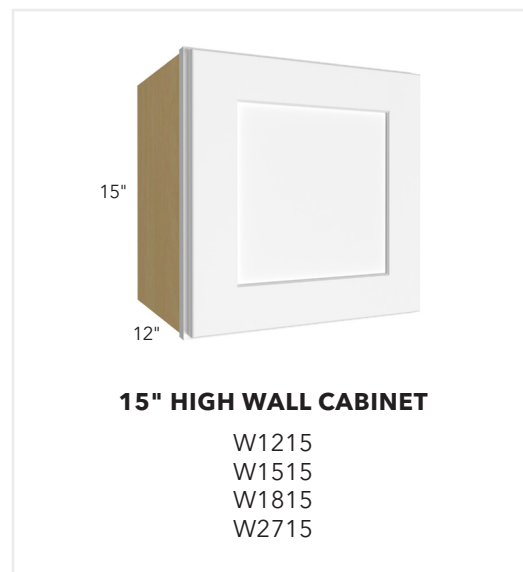
30" WIDE BLIND WALL CABINET
WBC3030
WBC3036
WBC3042



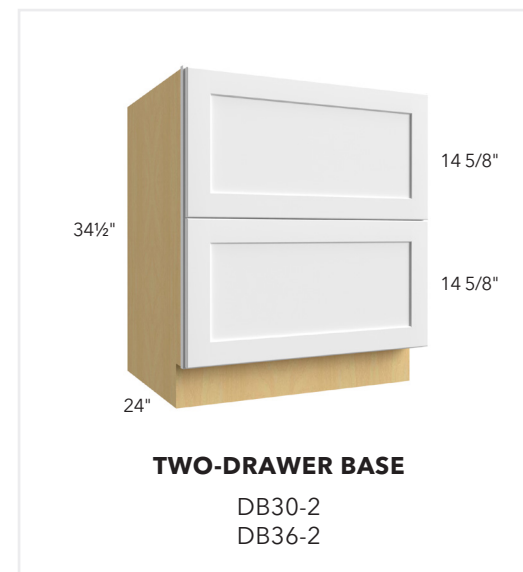
BEADED PANEL
BPP-12



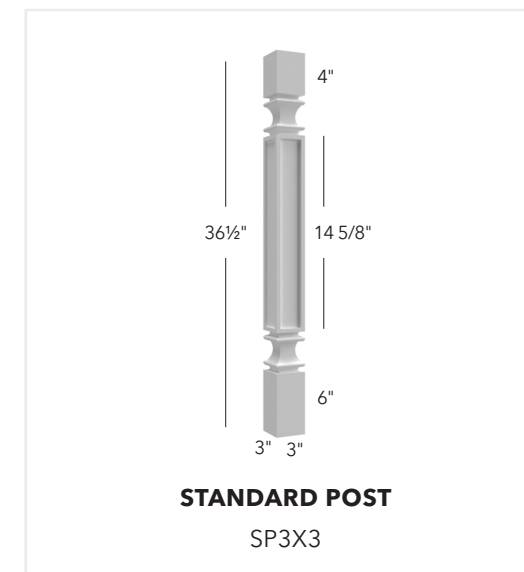
**30" REFRIGERATOR END PANEL
W/ RETURN**
REP3096 X 1 1/2
REP3096 X 3



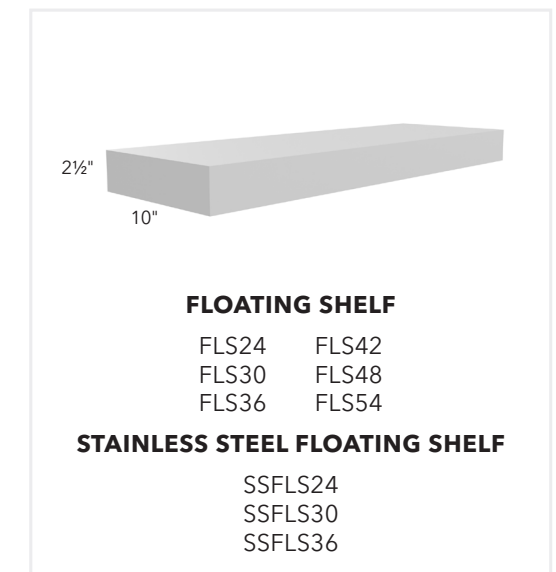
15" HIGH WALL CABINET
W1215
W1515
W1815
W2715



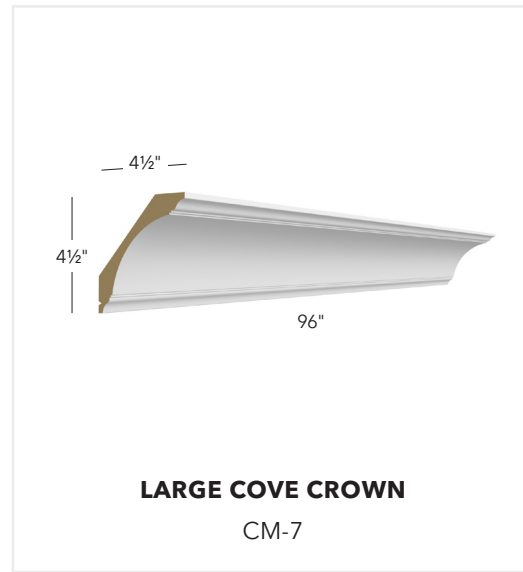
TWO-DRAWER BASE
DB30-2
DB36-2



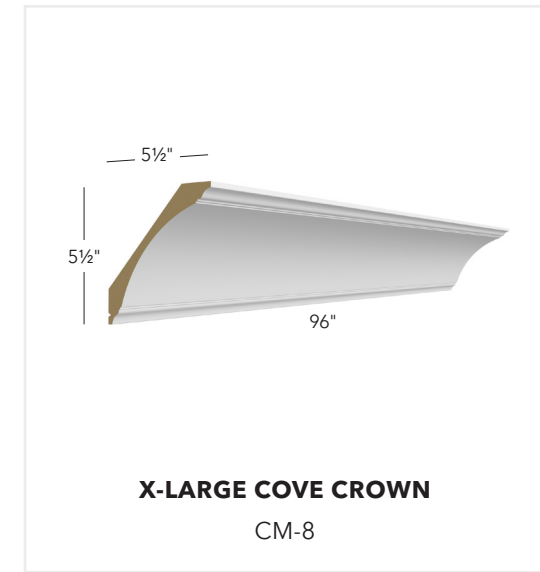
STANDARD POST
SP3X3



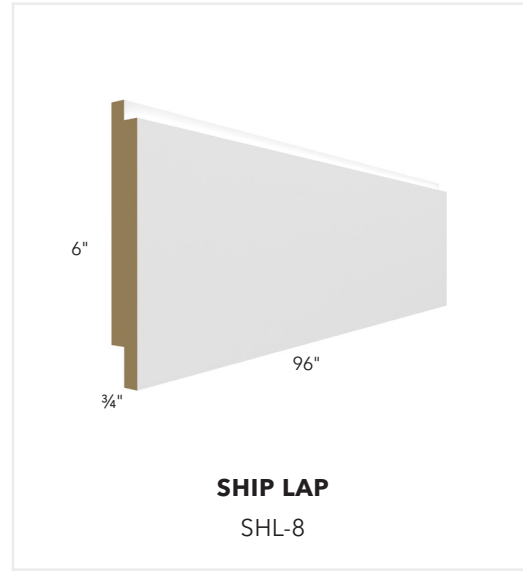
FLOATING SHELF
FLS24 FLS42
FLS30 FLS48
FLS36 FLS54
STAINLESS STEEL FLOATING SHELF
SSFLS24
SSFLS30
SSFLS36



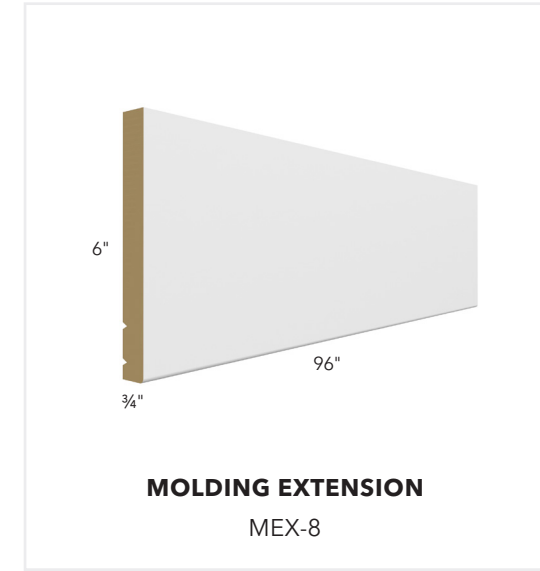
LARGE COVE CROWN
CM-7



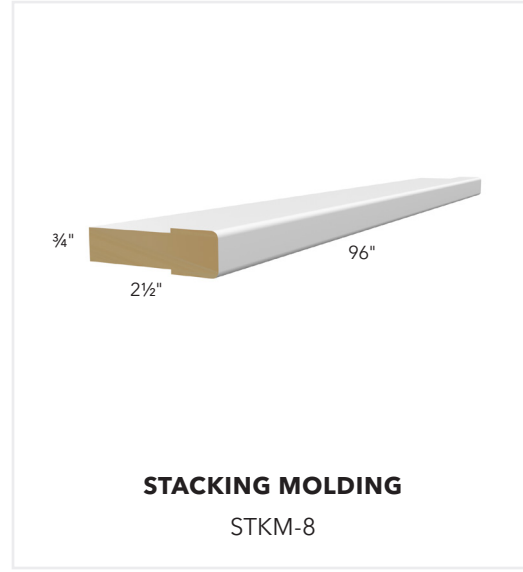
X-LARGE COVE CROWN
CM-8



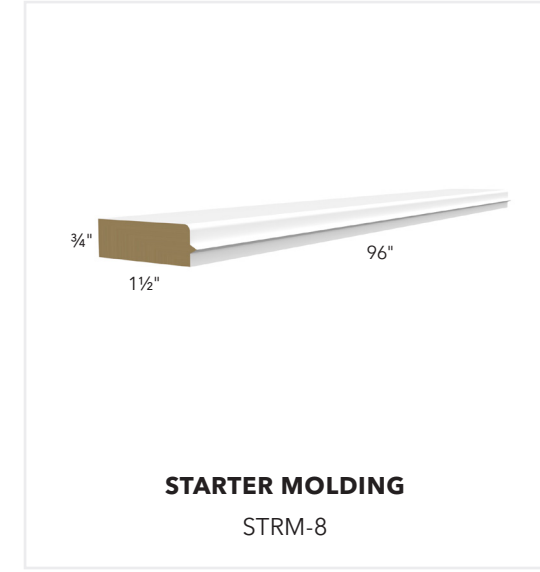
SHIP LAP
SHL-8



MOLDING EXTENSION
MEX-8



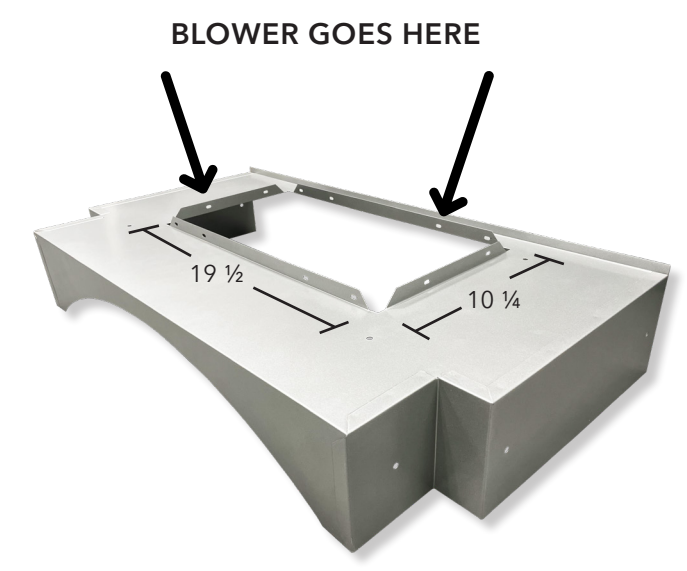
STACKING MOLDING
STKM-8



STARTER MOLDING
STRM-8



This hood liner will now be an **add-on** and not a **modification**. It is now available in 36" & 42" - The 48" is coming soon. You can still order the 48" hood liner however it will be the old construction.



List of blowers that fit the new liner:

- Broan NuTone / Model PM250
- Broan / Model PM250SSP
- Broan / Model PME300
- Broan NuTone / Model PM390
- Broan / Model PM390SSP
- Broan / Model PM500SS
- Best / Model P195P1M52SB6



<
Two-Tier Cookware Organizer Insert

- Available in 18" or 24" wide
- With Blum Slides



Utensil & Knife Block Pull-out

- For B12FD (Cabinet not included)
- With Blum Slides



<
12" Vanity Outlet Grooming Organizer

- For Full-Height door
- Vanity depth
- With Blum Slides



3" Towel Bar Pull-out

- (Filler not included)
- With Soft-Close Slides



<
Door-Mounted Vanity Appliance Storage Rack

- For 30" wide Base Cabinet



Trimmable Utensil Tray Insert

- For 15" to 24" drawer



Trimmable Cutlery Divider X-Large

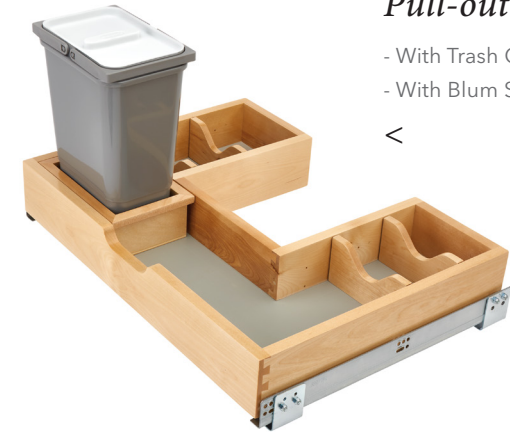


Trimmable Vanity Drawer Organizer



Vanity Organizer Pull-out

- For 24" wide Sink Base Cabinet
- With Blum Slides



30" U-Shaped Vanity Sink Base Lower Pull-out

- With Trash Can
- With Blum Slides



Deep Tiered Drawer

- Available in 30" or 36" wide
- With Blum Slides



18" Cutting Board & Knife Drawer

- With Blum Slides



18" Charging Drawer

- With Blum Slides



Q12[®]

QUALITY REDEFINED

We know how important quality is to you. That's why we have implemented a rigorous 12-step quality assurance process for our cabinets. Fabuwood takes pride in having a talented quality control team. The cabinets you receive are inspected for flaws and inconsistencies so that your customers are unquestionably satisfied.

- 1 | Quality Sourced Lumber
- 2 | Pro Touch Technique
- 3 | Dovetail Construction
- 4 | Anti-Warp Structures
- 5 | Metal Shelf Clips
- 6 | Solid Back Builds
- 7 | Flush Fit Frames
- 8 | Finished Interiors
- 9 | Soft-Closing Action
- 10 | Fluid Full-Extension
- 11 | EZ Level Drawer Fronts
- 12 | Sealed Signature



