

CAUTION



Please don't put your hands on the supporting bars, as they move during adjustment and may cause injury.

CAUTION



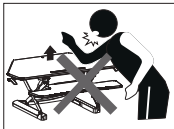
Please make sure that all equipment is fully on top of the Yo-Yo DESK®, not hanging over the edges, as it may fall and cause harm/get damaged.

CAUTION



When using the adhesive Cable Ties, make sure that you leave enough length in the cable to allow for the full range of height adjustment, otherwise your equipment may get damaged.

CAUTION



When first using your desk, please carefully set it to its maximum height, to check that you can raise the desk without causing damage to your equipment or yourself.

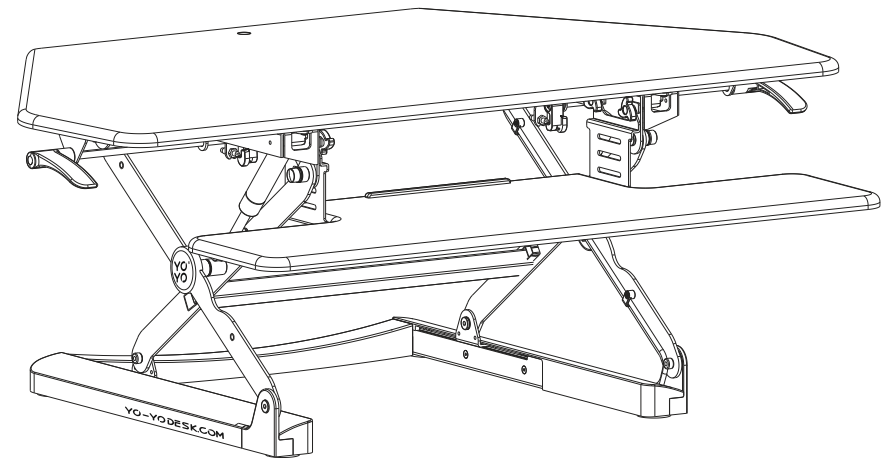
CAUTION



Please ask someone to assist you when lifting the desk to prevent causing harm or injury.

YO-YODESK® CUBE

Assembly Manual

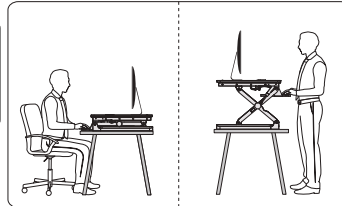


CAUTION

Please read all instructions carefully before using this product. Retain this manual for future reference. The specifications of this product may vary slightly from the illustrations and are subject to change without notice.

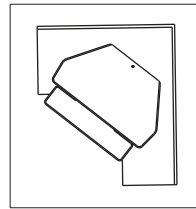
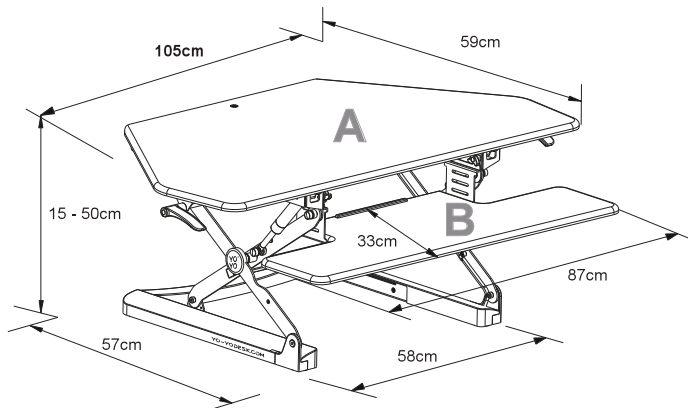
TECHNICAL DATA

WARNING The Desktop and Keyboard Tray have a defined weight tolerance level. Do not exceed the maximum bearing weight.



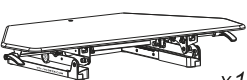

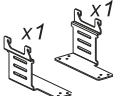


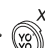

WEIGHT TOLERANCE LEVEL

- A** Minimum 3KG - Maximum 15KG
- B** Maximum 2KG



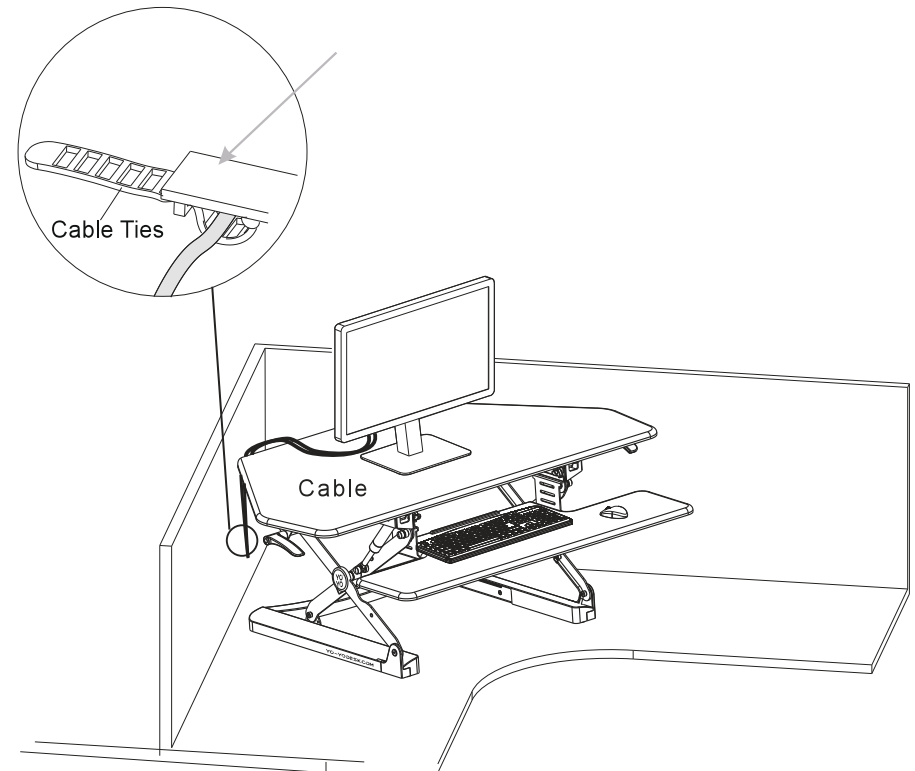
ASSEMBLY KIT

You will find the following items inside your package, please check them. If there are any tools or components missing, please contact customer services on +44 01793 575 082.

A	B	C
1 x Desktop & Frame	1 x Keyboard Tray	2 x Keyboard Tray Brackets (Left and Right) 1 x Screwdriver 8 x Screws 2 x Yo-Yo Side Caps 4 x Cable Ties
 x1	 x1	 x1  x1  x8  x2  x4

ASSEMBLY STEP 5

The Cable Tie uses velcro adhesive, making it easy for you to tidy your cables.

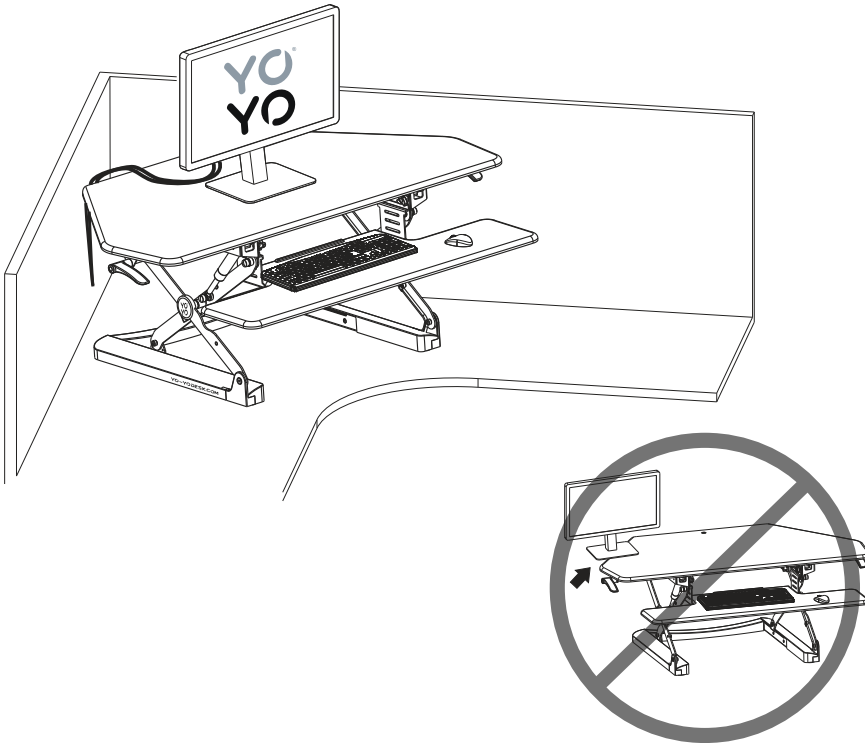


CAUTION

When using the adhesive Cable Ties, make sure that you leave enough length in the cable to allow for the full range of height adjustment, otherwise your equipment may get damaged.

ASSEMBLY STEP 4

Please put your equipment on top of the Yo-Yo DESK®.

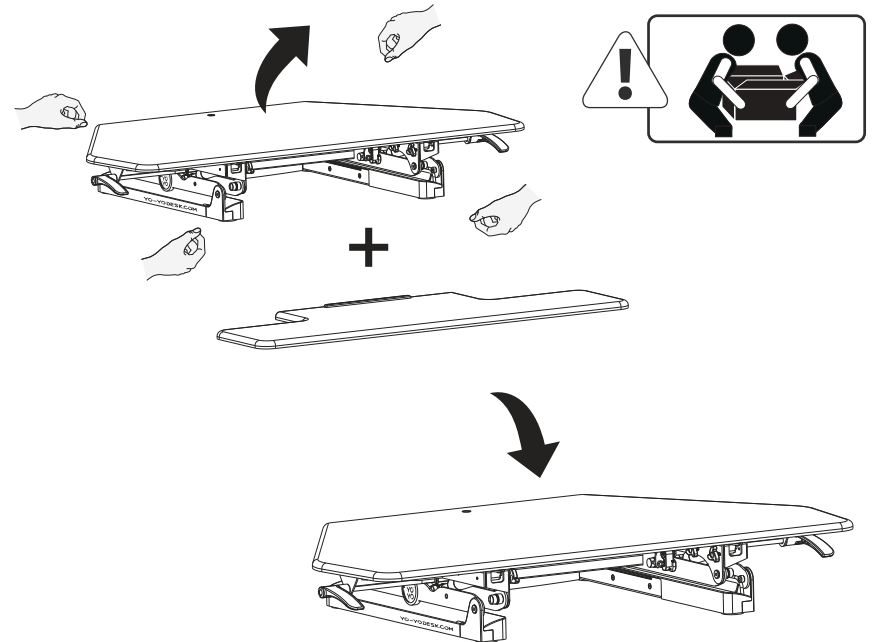


⚠ CAUTION

Please make sure that all equipment is fully on top of the Yo-Yo DESK®. It should not hang over the edges, as this may result in a fall and cause harm/get damaged.

ASSEMBLY STEP 1

Please take the Yo-Yo DESK® out of the packaging, and place it on your table/desk.

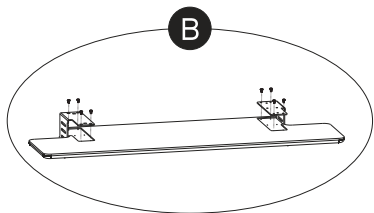
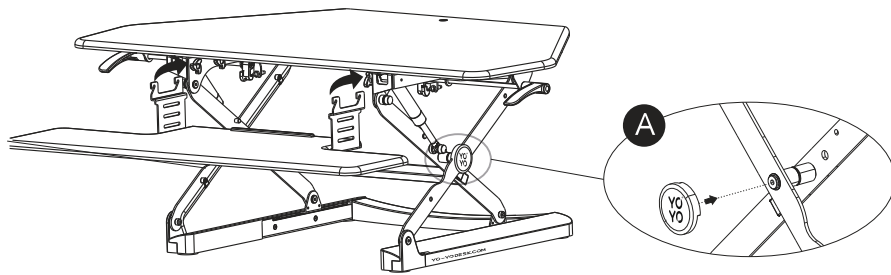


⚠ CAUTION

Please place the Yo-Yo DESK® on a surface suitable to hold the entire base of the Yo-Yo DESK® otherwise you may cause damage when operating the Yo-Yo DESK®.

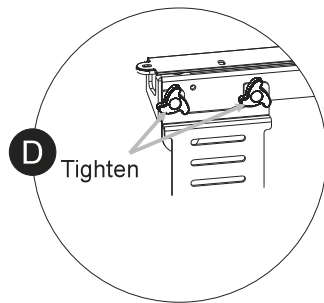
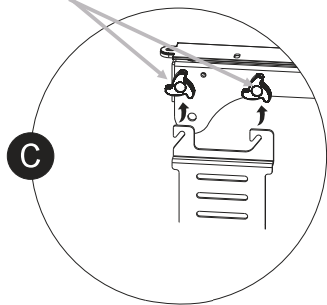
ASSEMBLY STEP 2

- A Attach the Yo-Yo DESK® Side Cap to the connecting arm.
- B Use the 8 screws provided to attach the Keyboard Tray Brackets to the Keyboard Tray using a Philips Screwdriver.
- C,D Hang the Keyboard Tray Brackets on the Rotating Bracket Holders provided, and then tighten.



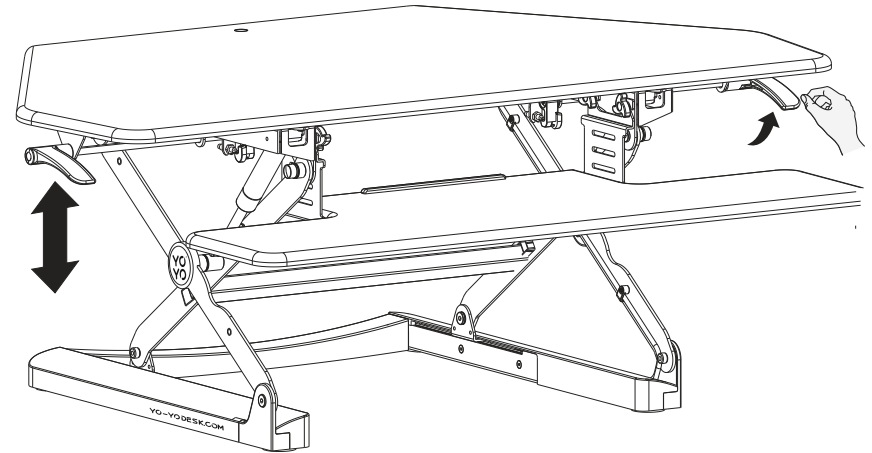
CAUTION
 When attaching Brackets to Tray, avoid excessive screwdriver force . Excessive force may result in reduced screw grip & make the Keyboard Tray defective.

Rotating Bracket Holders



ASSEMBLY STEP 3

Adjust the desk to your appropriate sitting/standing heights, by **LIFTING BOTH LEVERS** (on right & left sides) **SIMULTANEOUSLY.**



CAUTION
 Please don't place your hands on the supporting bars, as they move during adjustment, and may cause injury.