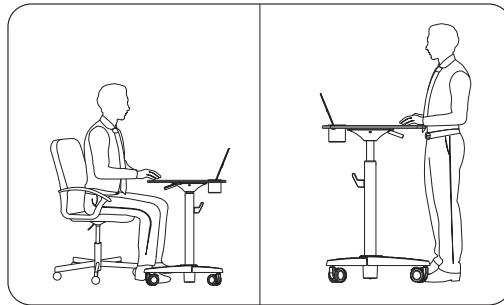
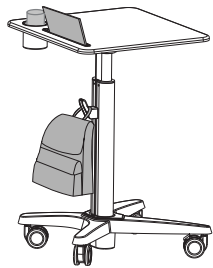


## Assembly Manual



**Technical Data**

**WARNING** Please do not exceed the maximum bearing weight

Load Capacity	0~7Kg
Height Range	0-400mm



A		B		C	
x1		x1		x1	
D1	D2	E1	E2		
x1	x1	x2	x1		

**TOOLS**

**ASSEMBLY STEP 1**

**ASSEMBLY STEP 2**

1. Insert the stand column in the pedestal

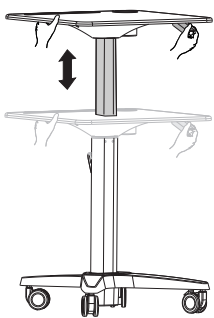
2 Install the tabletop

Remove gas spring safety cap before installation

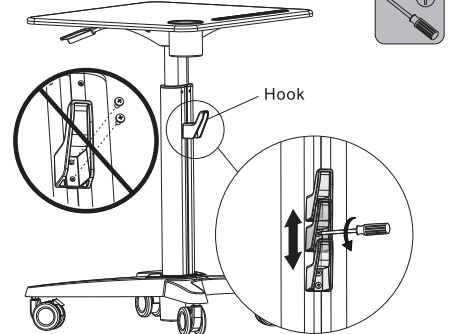
Gas spring safety cap

8. Tighten screws

**ASSEMBLY STEP 3** Adjust the height



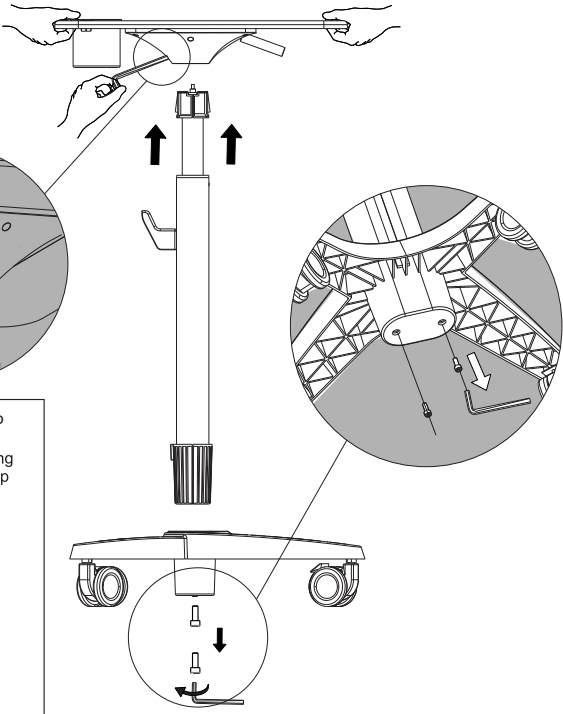
Loosen screws to adjust the position of hook




Hook

**Disassembly**

Requires two people to operate



Place the gas spring safety cap after disassembly



Gas spring safety cap