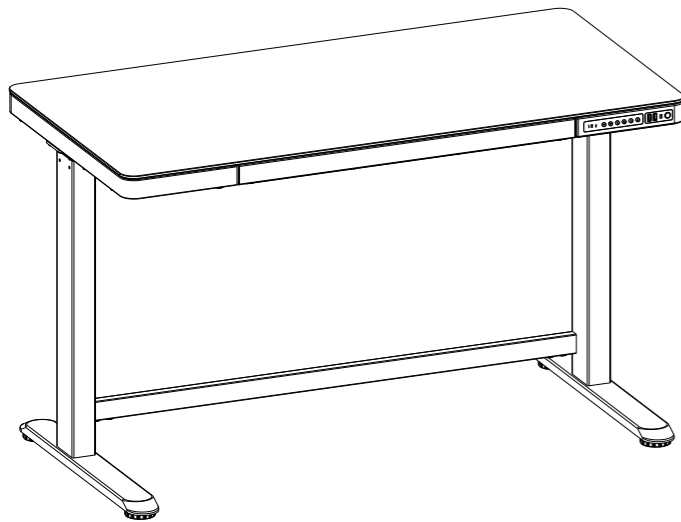


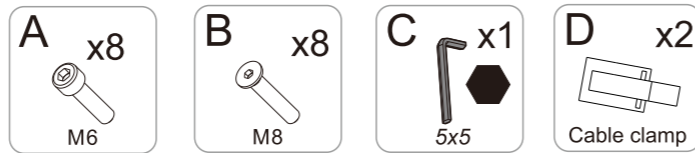
# YO-YODESK<sup>®</sup> HOME

## Assembly Manual



### Accessory list

Attention: The sketches below are for guidance only. Actual package contents may vary slightly. Please contact your supplier should you have any queries.

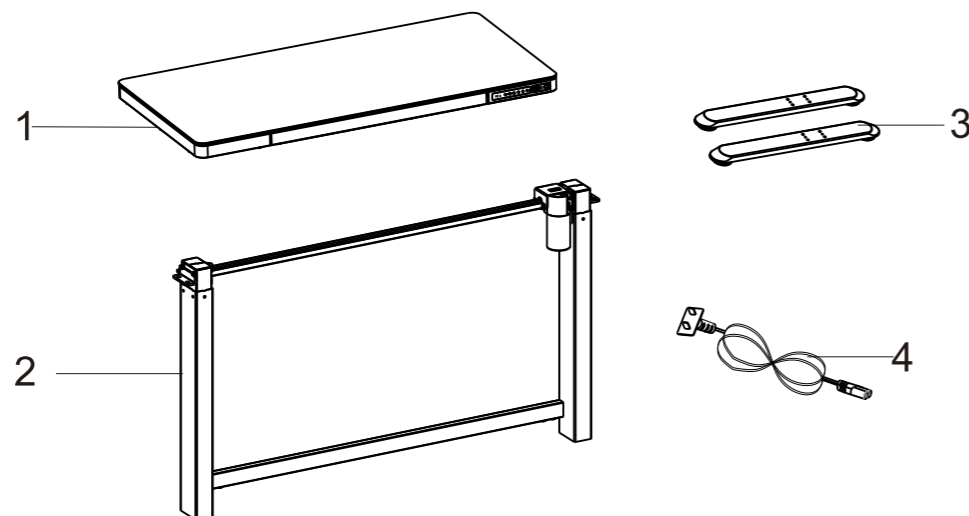


### Technical data

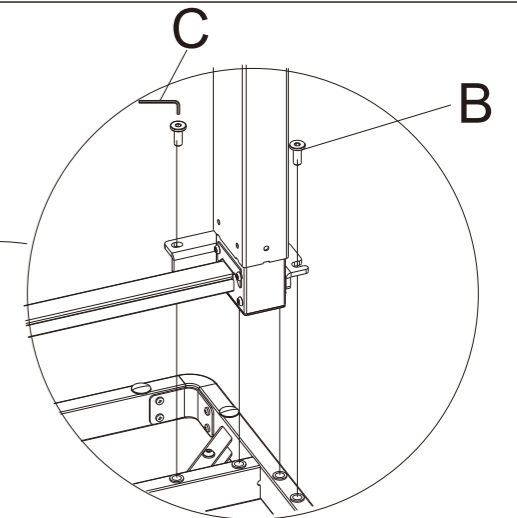
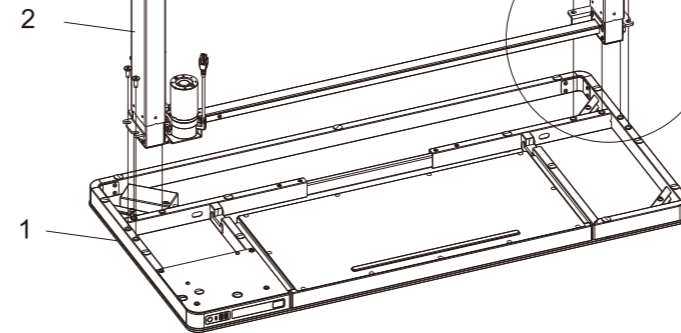
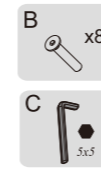
Max. Weight Capacity	50KG
Height Range	720-1210mm
Drawer Stroke	230mm
Charging Ports/ Child Lock	

### Component list

1. Top X1
2. Lifting columns X1
3. Feet X2
4. Power plug X1

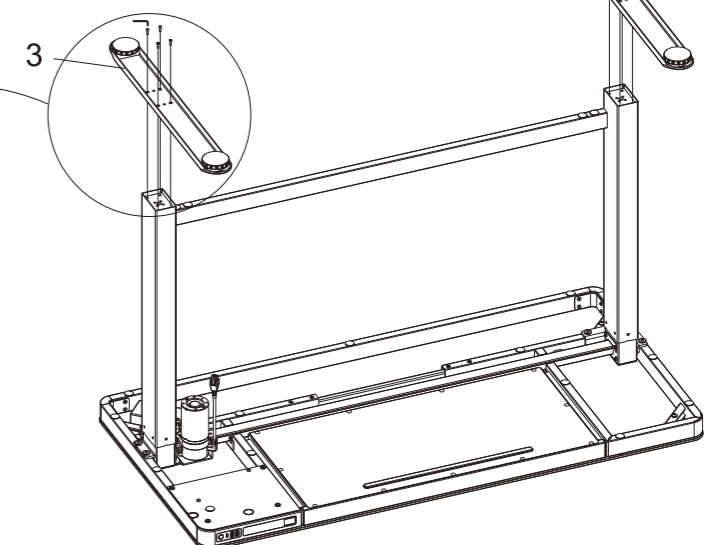
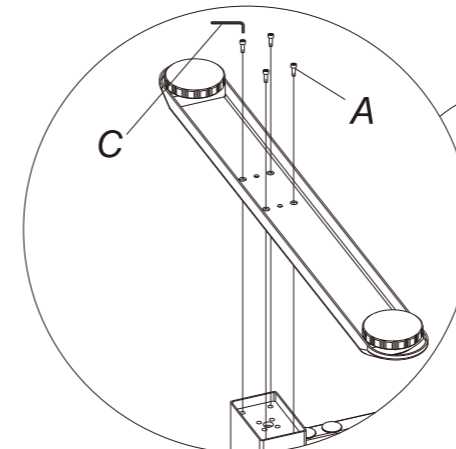
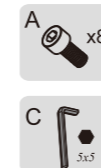


### STEP 1 Install the top and the lifting columns



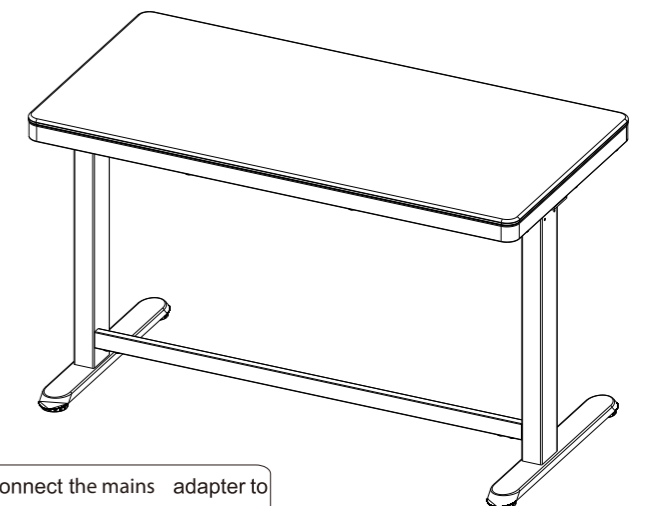
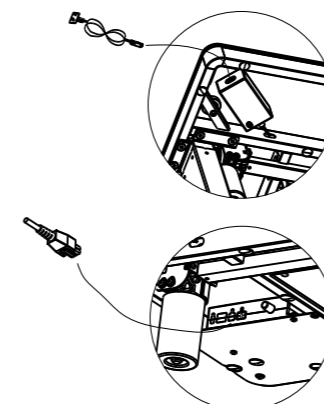
Use the allen key (C) and M8 screws (B) to fix the lifting columns (2) into the top (1).  
Note: Do not place the top directly on the floor during installation to avoid surface scratching.

### STEP 2 Install the feet



Use the allen key (C) and M6 screws (A) to install the feet to the lifting columns.  
Note: the longer side of the feet should be facing the front side of the desk.

### STEP 3 Connect the cables

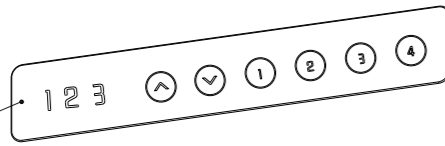


Connect the motor and mains adapter to the control box, and connect the mains adapter to the power socket.  
Note: You can use cable clips to fix the motor and power cables to the desk if necessary.

## Operation Instruction

Key button

LED Screen



1. Press the up/down button to adjust the height of desk, press & hold the up/down button for 2s to continuously adjust the height of desk; The screen shows "bot" when the desk reaches its lowest point; or "top" when the desk reaches its highest point.
2. Long press a numeric button 1,2,3,4 for 3s to save the current height to that memory spot.
3. Long press the button 3 and 4 simultaneously for 5 s, the screen shows " RST" (reset). Press and hold the "▼" button till the desk drops to its lowest position and reverses up, release the "▼" button and the reset is done.
4. The desk has two USB ports and one type-C port, they can supply power to other electronics and support charging protocol.  
Type-C Output: 5V3A/9V2A/12V1.5A; Type-A Output: 3.6-6.5V2.4A/6.5-9V2A/12V1.5A; Total output power of single port: 18W Max.  
When the desk is moving up or down, the output will be stopped.
5. Click the "LOCK" button to activate/deactivate the child lock function, the screen shows "Loc" when the desk is locked.
6. Long press both UP and Down buttons to show anti-collision sensitivity setting: "A-0" = off; "A-1" = low sensitivity; "A-2" = medium sensitivity; "A-3" = high sensitivity; press UP or Down button to change the sensitivity.

### ● Troubleshooting:

- a. Reset: When the LED shows "E01", Press and hold the "▼" button till the desk drops to its lowest position and reverses up, release the "▼" button and the reset is done.
- b. When the LED shows "E01" or "E02", please retry 18 mins later.
- c. If the "▼" button doesn't work, please switch the power off, check the cable connections, wait for at least 10 seconds, switch back on, press and hold "▼" down button to reset the desk if the LED shows the "E01".
- d. If further problems, please contact your supplier.

## Common Faults

The following tips will help you detect and eliminate the common faults and errors. If the faults is not listed, please contact us.

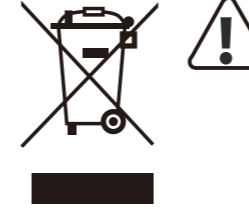
Faults	Method
No response when long press Down button	1. Check if all the cables are properly connected. 2. Contact your supplier.
No response when pressing Up + Down buttons	1. Check if all the cables are properly connected. 2. Contact your supplier.
Rising in a low speed	1. Check if overloaded, max loading: 50kg; 2. Contact your supplier.
The desk won't move up/down	1. Contact your supplier.
Moves down but not up	1. Reset 2. Contact your supplier.
Sliding down	1. Check if overloaded, max loading: 50kg; 2. Contact your supplier.
Frequently Reposition	1. Check if overloaded, max loading: 50kg; 2. Contact your supplier.
Over-heat (Duty cycle: Max 2min on/18min OFF)	1. Wait 18 mins with power on; 2. Contact your supplier.
Insufficient height adjustment range	1. Press the "3" + "4" buttons simultaneously for 3s, the desk beeps twice, then try to reset again 2. Contact your supplier.



## Attention

1. Power supply: AC 100V-240V,50/60Hz
2. Service Environment: 0-40°C
3. Unplug the power plug before cleaning, wipe the dust on surface with slight wet dishcloth when cleaning, be careful not to let the drops into the internal parts, not loose the connector.
4. The electric box contains electronic components, metals, plastics, wires etc., so dispose of it in accordance with each country's environmental legislation, not the general household waste.
5. Check carefully to ensure correct and complete assembly before using.
6. Be familiar with all functions and program settings of the product before first use.
7. Children are forbidden to play on the desk as the behavior is unpredictable. Manufacturer is not responsible for loss, injury, or damage due to those improper action.
8. Slight noise caused by the V-ribbed belt or brake system due to structure will not have any effect on the use of the equipment.
9. Corrosive or abrasive materials are forbidden to clean the equipment. Must ensure that the cleaner used will not pollute the environment.
10. This appliance can be used by children aged from 8 years and above and persons with reduced physical, sensory or mental capabilities or lack of experience and knowledge if they have been given supervision or instruction concerning use of the appliance in a safe way and understand the hazards involved. Children shall not play with the appliance.
11. Cleaning and user maintenance shall not be made by children without supervision.
12. If the supply cord is damaged, it must be replaced by the manufacturer, its service agent or a similarly qualified person in order to avoid a hazard.
13. Please make sure there is no hazard sources in your operating environment. e.g., do not litter the tools around. Always be careful to treat the packaging materials in order to avoid any possible danger, e.g. plastic bag may lead to choking hazard to children.
14. Keep the original package of the equipment if necessary in case of the future use in transportation.
15. It is forbidden to use clamping components to clamp the glass, otherwise the glass may burst and cause injury.

## Waste disposal



This marking indicates that this product should not be disposed with other household wastes. To prevent possible harm to the environment or human health from uncontrolled waste disposal, recycle it responsibly to promote the sustainable reuse of material resources. To return your used device, please use the return and collection systems or contact the retailer where the product was purchased. They can take this product for environmental safe recycling.