

TI-1520



INDICATOR

The TI-1520 is an NTEP and Canadian certified digital indicator housed in a stainless steel enclosure. This indicator is designed to support general purpose weighing applications for the installer, while maintaining simplicity for the operator. The large LED display is easy to read from a long distance. Stainless steel construction means it's washdown safe. Standard features include a full duplex RS-232 port, internal power supply, time & date and the ability to drive up to eight (8) conventional load cells. Many options are available including analog output, RS-485, Bluetooth®, and WLAN.



TRANSCELL TECHNOLOGY, INC.

TI-1520

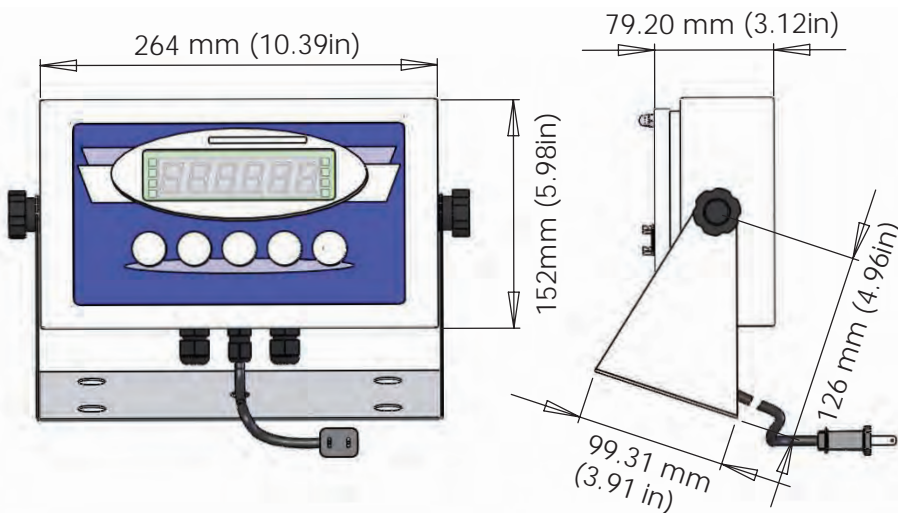
Standard Features & Benefits:

- **DIVISIONS**- NTEP and Canadian certified for 10,000 Divisions
- **DISPLAYS**- Up to 50,000 Graduations
- **SERIAL PORT**- Full Duplex RS-232 Serial Port
- **PROGRAMMABLE PRINT FORMAT**
- **STAND**- Heavy Duty Swivel Mounting Stand
- **DISPLAY**- Large, easy to read LED
- **SPECIAL APPLICATIONS**- Piece Counting, Remote Display, Peak Hold
- **ENCLOSURE**- Stainless Steel NEMA 4x / IP65
- **LOAD CELLS**- Drives up to eight 350 Ω Load Cells
- **INTERNAL POWER SUPPLY**
- **TIME / DATE STANDARD**
- **FULL FRONT PANEL CONFIGURATION**
- **GROSS/NET/TARE**- Print Ticket Mode with 6 digit ID number

Specifications:

Load Cell Excitation: +5 VDC	Display: 1.0", 6-Digit LED, Green
Load Cell Current: Drives up to eight 350 Ω Load Cell	Display Resolution: Up to 50,000 external grads, selectable
Analog Signal Input Range: +/- 3.125 mV/V max	Key Functions: Zero, Net/Gross, Tare, Units, Print
Analog Sensitivity: 0.3 μ V/grad, Minimum 0.6 μ V/grad, recommended minimum for Legal-for-Trade	NIST Classification: H-44 Class III/IIIL at 10,000 divisions NTEP CC 99-017
A/D Conversion Rate: 10 HZ / 80 HZ Selectable	Annunciators: Zero, Tare, Gross, Tare, lb, kg, Stable, Net, Pieces
Current Consumption: 200mA + 15mA per 350 Ω Load Cell	Canadian Weights and Measures: General Class III at 10,000 divisions, AM-5305R1
A/D Resolution: Up to 260,000 internal counts @ 2 mV/V	Power (Standard): 110/220 VAC, 50/60 Hz
Operating Temperature: 14°F to 104°F (-10°C to 40°C)	Power (Optional): 12 VDC
Serial Output: Full Duplex RS-232C Format	Warranty: 1 year limited warranty applies

Dimensions:



Options:

Analog output: 16-Bit, 0-5 VDC (active), 4-20mA (Passive)
Communication: Bluetooth, RS-485, WLAN


TRANSCCELL TECHNOLOGY, INC.

975 Deerfield Pkwy, Buffalo Grove, IL 60089
 Tel (847) 419-9180 Fax (847) 419-1515

(800) 503-9180

www.transcell.com

Version 1.6 07/09/12

YOUR AUTHORIZED TRANSCCELL DEALER IS:

Specifications and features subject to change without notice.