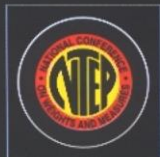


# Space 2000

Low Profile Price Computing Scale

- 30lb and 60lb Dual Range
- Stainless Steel Platter
- Soft Touch Keyboard
- 999 PLU Memory



ISO 9001 certified

**CAS**  
S · C · A · L · E

# SPACE 2000 Low Profile Price Computing Scale

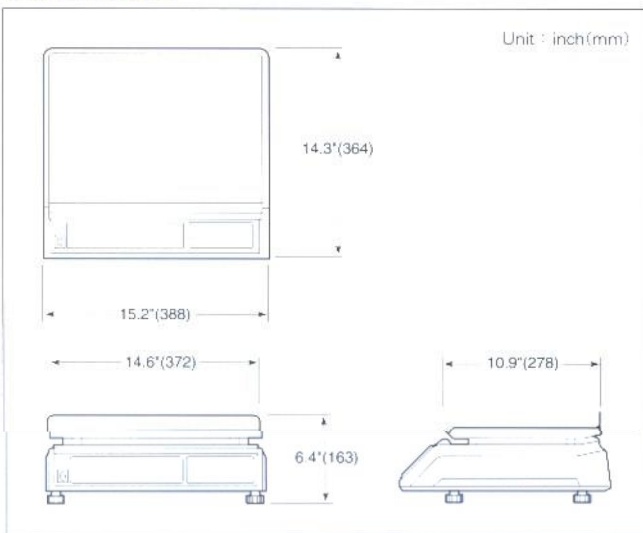
## FEATURES

- Zero, Tare, Tare Save, and Pre Pack Keys
- VFD Displays
- Stainless Steel Platter
- 1/2 lb. and 1/4 lb. Keys, where allowed
- 999 Programmable Price Look Up's (PLU's)
- Auto Span Adjustment
- Auto Zero Tracking

## SPECIFICATIONS

	S2000-30	S2000-60
Capacité	15 kg/30 lb	0-15 kg/0-30 lb / 15-30 kg/30-60 lb
Graduation	0,005 kg/0,01 lb	0,005 kg/0,01 lb / 0,01 kg/0,02 lb
Display Designators	Zero, Tare, Pre Pack, Tare Save	
Maximum Tare	- 30.00 lb / - 9.995 kg	
Power Source	AC 120 V, 60 Hz	
Power Consumption	Approx. 10 W	
Operating Temperature	- 10°C ~ +40°C (14°F ~ 104°F)	
Platter Size (inch / mm)	14.6 (W) × 10.9 (D) / 372 (W) × 278 (D)	
Dimensions (inch / mm)	15.3 (W) × 14.3 (D) × 6.4 (H) / 388 (W) × 364 (D) × 163 (H)	
Product Weight	17.1 lb / 7.8 kg	

## DIMENSIONS



Display On The Rear Side

## DISPLAY & KEY BOARD

(30 lb)



(60 lb)



## OPTIONS

- Fish Platter
- Wet Cover



CAS USA Corporation

NJ OFFICE  
99 Murry Hill Parkway  
East Rutherford, NJ 07073  
(201) 933-9002 Phone  
(201) 933-9025 Fax  
<http://www.cas-usa.com>

CA OFFICE  
1265 N. Manassero st, Suite 310  
Anaheim, CA 92807  
(714) 693-1936 Phone  
(714) 693-9213 Fax

Distributeur autorisé/Authorized distributor  
Les Balances Papp Inc  
2795 Botham, St Laurent, QC H4S 1H8  
tel: 514-335-9640 e-mail: [infos@balancepapp.ca](mailto:infos@balancepapp.ca)  
web: [www.balancepapp.ca](http://www.balancepapp.ca)