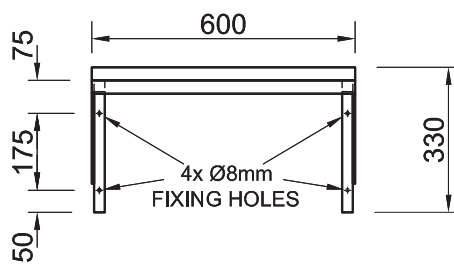


Product Information:

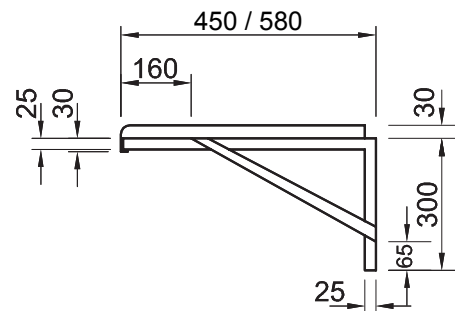
- Wall mounted Microwave shelf
- 25mm x 25mm stainless steel tube with 1.2mm stainless steel top
- Supplied flat packed ready for assembly
- Available in 2 sizes
- Can be installed with brackets above or below shelf



General Drawing:



FRONT ELEVATION



SIDE ELEVATION

Specifications:

SS28.MW.A.0450 600mm x 450mm x 300mm

SS28.MW.A.0580 600mm x 580mm x 300mm