



800 SERIES FRYER

3 baskets

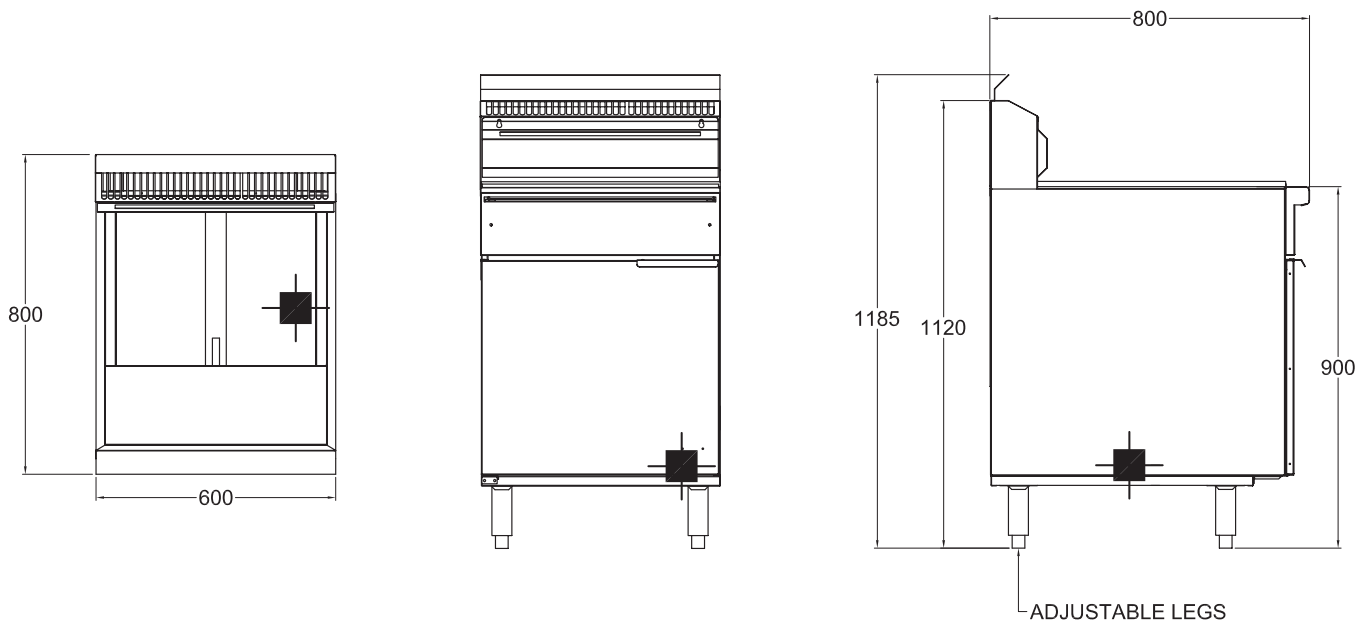
VFG24L – Gas

- "V" pan fryer combines high energy efficiency, quick response and recovery and cooking flexibility
- +/- 2°C precision thermostat for optimum control
- Rapid heating response and continuous pilot ignition
- Stainless Steel pan for easy cleaning
- Cover/joiner strips available for multi-unit installations
- Large cool zone for long oil life
- Line-up nosing

Other options

Night lid

Cover/joiner strips



VFG24L 3 baskets

SPECIFICATIONS

Dimensions (WxDxH)	600 x 800 x 1120 mm
Working height	900 mm (±20 mm)
Pan Size (WxDxH)	568 x 353 x 300 mm
Capacity	36 L

Gas Connection	3/4" BSP
Rating	127 MJ
Weight	90 kg
Packed	0.6 m ³

■ 3/4" BSP Gas Connection

Australia's premier food service equipment manufacturer

goldstein.com.au

211-217 Woodpark Road, Smithfield NSW 2164
1800 013 123 | +61 2 9604 7333

 **MIDDLEBY AUSTRALIA**

