

# Upright Display Freezer 444L - 1 Door - Flat Glass - Lightbox

| Vertical Display & Storage



Attract attention with customisable illuminated lightbox

Adjustable thermostat for easy temperature control

Fully compliant with Australian safety standards and regulations

2 Years Bromic Extra Care Warranty - Labour and Parts

Powerful fan-forced refrigeration technology distributes cool air evenly

Lockable castors to move and position the unit with ease

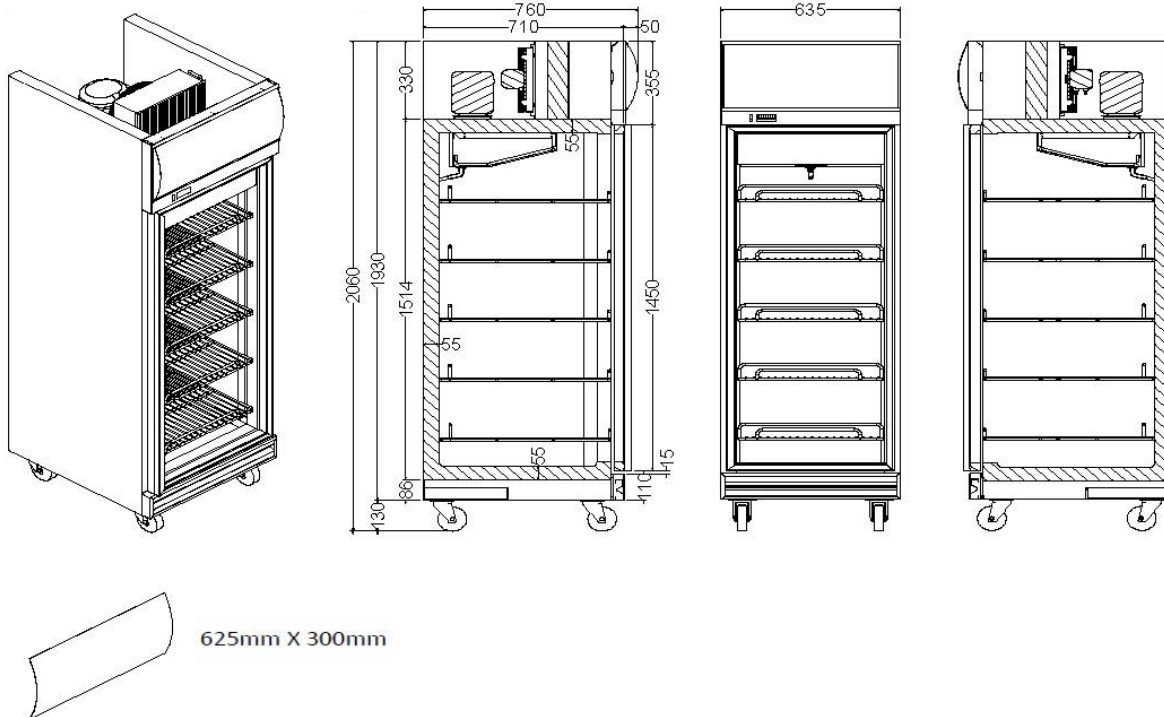
Triple-glazed heated self-closing doors minimise heat transfer and reduce condensation

High-Impact LED lighting perfectly illuminates products

5 adjustable shelves plus base to accommodate for products of various sizes

# Upright Display Freezer 444L - 1 Door - Flat Glass - Lightbox

| Vertical Display & Storage



SPECIFICATIONS				DIMENSIONS	
501(w) x 475(d) mm	UF0500LF	Colour	White with s/steel trim	<b>External (mm)</b>	
Part Number	3736240	Display Light Box	Yes	<b>Width</b>	635
Volume	444L	Internal Light	LED	<b>Depth</b>	760
Unit Weight	113kg	No. of Doors	1	<b>Height</b>	2060
Packaged Weight	118kg	Door Type	Glass	<b>Internal (mm)</b>	
Adjustable Temp. Range	-22 to -18°C	Door Glass Type	Triple glazed	<b>Width</b>	520
Max. Ambient Temp.	38°C	Door Style	Hinged	<b>Depth</b>	550
Climate Class	3L1	Door Shape	Flat	<b>Height</b>	1420
Energy Consumption	18kWh/24h	Door Swing Dimension	720mm	<b>Internal (mm)</b>	
GEMS Star Rating	1 star	Door Glass Type	Triple glazed	<b>Width</b>	520
Refrigeration Capacity	1000W	Door Style	Hinged	<b>Depth</b>	550
Air Circulation	Fan Forced	Door Shape	Flat	<b>Height</b>	1420
Refrigerant	R404a	Door Swing Dimension	720mm	<b>Internal (mm)</b>	
Rated Current	4.7A	Total Depth of door open	1300mm	<b>Width</b>	700
Electrical Voltage	220-240V	Self-Closing Door	Yes	<b>Depth</b>	820
Frequency	50Hz	Door Lock	Yes	<b>Height</b>	2116
Power Supply	Single Phase	No. of Shelf Tiers incl Base	6	<b>External (mm)</b>	
Power Plug	1 x 10A	Shelf Type	Adjustable	<b>Width</b>	700
Plug Location	Rear, top right	Shelves Dimensions	501(w) x 475(d) mm	<b>Depth</b>	820
		Temp. Controller	Digital	<b>Height</b>	2116
		Castors	Yes		
		Warranty	2 Years Bromic Extra Care Warranty - Labour and Parts		