

## Under Bench Fridge 553L - 4 Doors - Stainless Steel

| Bar Fridges & Freezers

Save floor space with seamless under bench installation

Food grade stainless steel bench top may serve as additional workspace

Powerful fan-forced refrigeration cools cabinet evenly and quickly

Digital controller and display for precise temperature control



Natural refrigerant for improved energy efficiency

2 Years Bromic Extra Care Warranty - Labour and Parts

Fully compliant with Australian safety standards and regulations

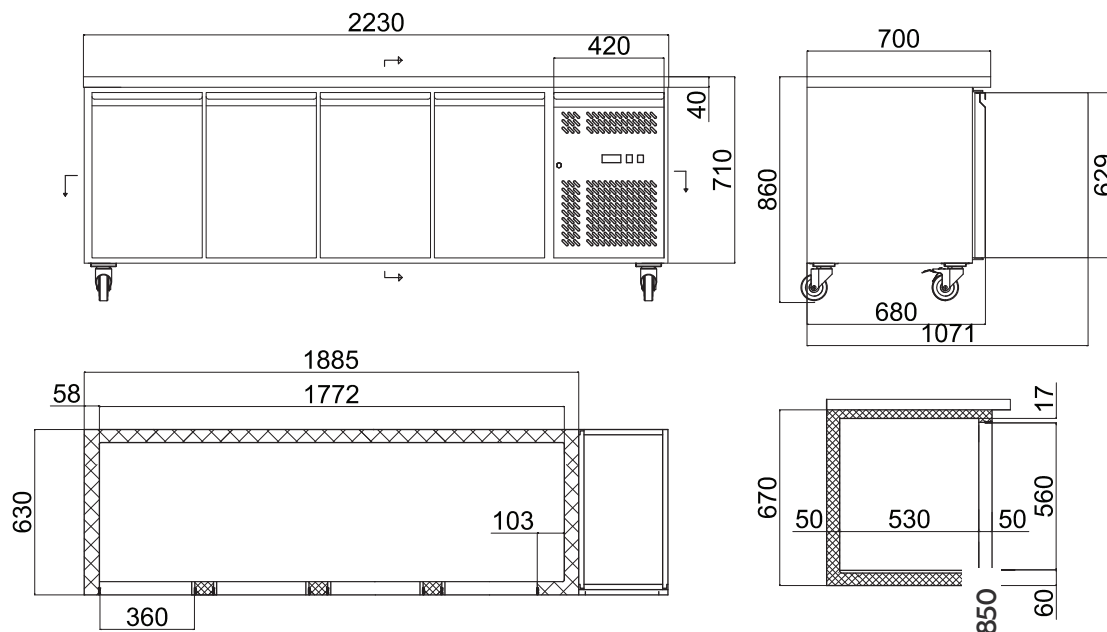
Narrow wired shelf design and shelf extenders to keep items securely in place

Solid stainless steel exterior and 4 self-closing doors to minimise heat transfer and energy consumption

Castors to move and position the unit with ease

# Under Bench Fridge 553L - 4 Doors - Stainless Steel

Bar Fridges & Freezers



## SPECIFICATIONS

Model Number	UBC2230SD-NR
Part Number	3735209-NR
Volume	553L
Unit Weight	173kg
Packaged Weight	178kg
Adjustable Temp. Range	+1°C to +5°C
Max. Ambient Temp.	38°C
Climate Class	4M1
Energy Consumption	3.768kWh/24h
GEMS Star Rating	4 stars
Refrigeration Capacity	345W
Refrigerant	R290
Rated Current	2.7A
Electrical Voltage	220-240V
Frequency	50Hz
Power Supply	Single Phase
Power Plug	1 x 10A
Plug Location	Bottom Right

Cord Length	2.5m
Colour	Stainless Steel
Internal Light	No
No. of Doors	4
Door Type	Solid
Door Style	Hinged
Door Lock	No
Self-Closing Door	Yes
Door Swing Dimension	371mm
Total Depth of Door Open	1071mm
No. of Shelf Tiers inc base	3
Shelf Type	Adjustable
Shelves Dimensions	333(w) x 530(d) mm
Temp. Controller	Digital
Castors	Yes
Warranty	2 Years Parts & Labour Bromic Extra Care

## DIMENSIONS

<b>External (mm)</b>	
Width	2230
Depth	700
Height	850
<b>Internal (mm)</b>	
Width	1772
Depth	530
Height	589
<b>Packaged (mm)</b>	
Width	2260
Depth	740
Height	910