

Commercial Tapware



CLEANAJET®
STAINLESS STEEL

Compact Wall Stops & Elbow Pre-Rinse Unit with Pot Filler



T-3M53816-C – 6" pot filler

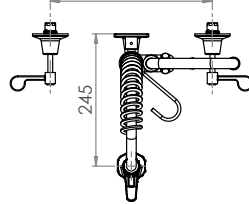
T-3M53822-C – 12" pot filler

- Full S/S construction
- Available with 6" or 12" pot filler – 4 star 7.5LPM
- Compact model designed for applications where space saving is a priority
- Wall elbow and lever handle wall top assemblies, ¼ turn ceramic disc. Stainless steel outer with brass internals to suit concealed breach
- Equipped with a water saving 6 star 4.5LPM variable trigger valve
- Wall bracket included
- Fully assembled and bench tested, with a unique traceable serial number
- Working pressure range 150kPa-500kPa
- Maximum operating temperature 80 degrees

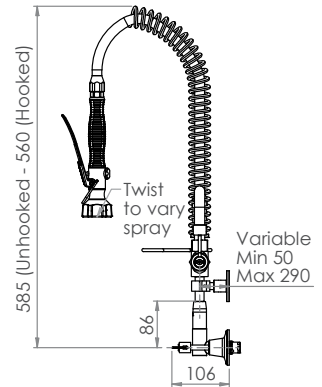


Top

Variable
Dependent on breach used
(breach not supplied)



Side



Front

