

Commercial Tapware



CLEANAJET[®]
STAINLESS STEEL

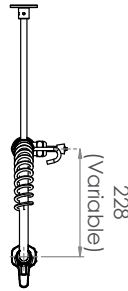
Single Bench Mount Pre-Rinse Unit

T-3M53100

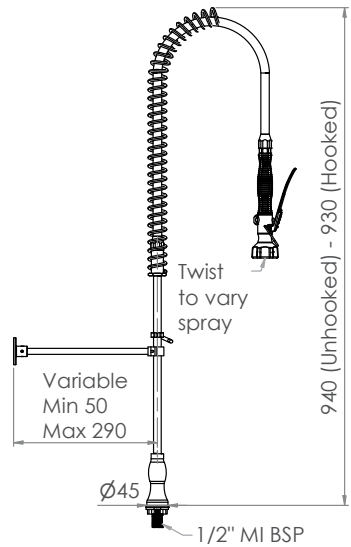
- Full S/S construction
- Single control tap for single temperature, cold or pre-mixed water
- Equipped with a water saving 6 star 4.5LPM variable trigger valve
- Fully assembled and bench tested, with a unique traceable serial number
- Working pressure range 150kPa-500kPa
- Maximum operating temperature 80 degrees



Top



Side



Front

