

SB129

BROMIC
REFRIGERATION

Ice Machine Storage Bin 129kg

| Ice Machines

Stainless steel construction for
corrosion resistance and easy cleaning

Insulated with polyurethane
to slow down melting and
maximise ice lifespan

Bromic Extra Care Warranty -
3 Years Parts, 1 Year Labour



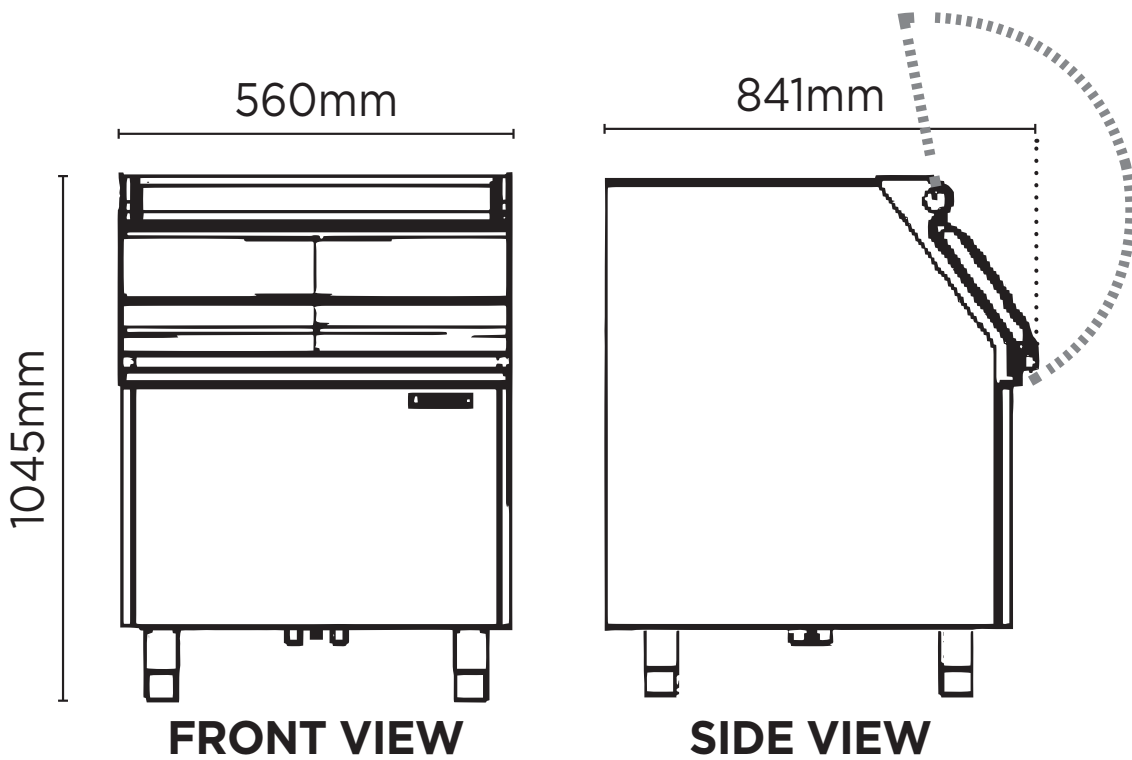
Agion®-treated materials
prevent bacteria growth for
maximum hygiene



Ice Machine Storage Bin

129kg

| Ice Machines



SPECIFICATIONS				DIMENSIONS	
Model	SB129	Storage Bin Capacity	129kg	External (mm)	
Part Number	3935270	Warranty	3 Years Parts & 1 Year Labour	Width	560
Unit Weight	54kg		Bromic Extra Care	Depth	841
Packaged Weight	59kg			Height	1045
				Packaged (mm)	
				Width	610
				Depth	891
				Height	1095