

**WARRANTY 3 YEARS**  
PARTS & LABOUR



**Turbo air**

## UNDER COUNTER SALAD PREP

Fridge  
MODEL : KSR24-4(FB)

### FEATURES / BENEFITS

#### **Digital temperature control & monitor system**

Keep food products safe by maintaining constant temperatures. External digital display allows for easy monitoring.

#### **Side mount compressor unit**

With compressors positioned on the side of the unit, our refrigerators can now be serviced without being moved. Our innovative, front breathing feature also allows this model to be highly efficient in narrow spaces.

#### **Exterior & interior of the cabinet**

The Turbo Air K-series boasts a stainless steel exterior (galvanized steel back and bottom). Interior is stainless steel floor with AL sides, back and AL door liners. It guarantees the utmost in cleanliness and long product life. The K-series adds a touch of style to the most refined setting.

#### **High-density polyurethane insulation**

The entire cabinet structure and solid doors are foamed-in-place using high density, CFC free polyurethane insulation.

#### **Hot gas condensate system**

Through Turbo Air's creative innovation, the condensate system surfaces have been specially treated to resist corrosion. This not only increases efficiency without the risk of refrigerant leakage from corrosion, but also thoroughly prevents the overflow of condensate water.

#### **Ergonomically designed doors**

Customers' fatigue fades away with easy grip handles and doors that open effortlessly. These features along with self-closing doors make this the ultimate choice in customer convenience.

#### **Adjustable, heavy duty, PE (polyethylene) coated wire shelves**

#### **Easy open front grille with condenser cleaning brush kit**

Front grille cover is easily removable without any tools, which makes condenser cleaning easy and convenient at any time. Handy condenser cleaning brush is included inside the front grille cover.

#### **Refrigerator holds 1°C ~ 8°C for the best in food preservation**

#### **Meat Function**

**The Meat function allows the compressor to run continuously for up to 2 hours. When activated, the temperature drops quickly. This is ideal when you put new stock and need to chill/freeze it quickly. Also for aging meat and fish to an ideal temperature.**

### Front Breathing



- Pans not included.



#### **LED interior lighting & fan control (only at Turbo Air)**

Energy efficient LED lighting lights every corner, making items easy to find. Fan control function automatically shuts off the fan when the door is open, which prevents hot air from being drawn in, thus maintaining the cool inner temperature.

#### **Standard features**

- Anti-corrosion coated evaporator
- Self-contained system
- Standard 125mm. swivel castors with locks on the front set
- Door locks standard

#### **Optional features**

- 125mm castors fitted
- 180mm, 105mm, 80mm castors optional
- Adjustable legs 100-155mm, 70-90mm

REFRIGERATOR MANUFACTURER  
**Turbo air**

■ **WARRANTY: 3 Year Parts and Labour Warranty**

# SALAD TABLE - BUFFET

Fridge  
MODEL : KSR24-4(FB)

Model	KSR24-4(FB)
Refrigerant	
COMP (HP)	Turbo Air - Digital Temperature Control
POWER INPUT(W)	R134a
Energy consumption	570
AMPS(A)	390
Capacity	
Product Dimension W	NO
Product Dimension D	3.1
Product Dimension H	690
Weight	2470
Stainless steel	760
Features	925
Max GN Pan depth	165
GN Pan	SUS 439
Door lock	Front Breathing
Adjustable Shelves	yes
LED light	4 doors
Temperature range	3 years parts & labour
Ambient temperature	4
Drainage / Forced Evaporation	yes
Temperature control	1°C~8°C
Cooling type	35°C
Glass Type (Low-e / Heater / How many layer of the glass)	Heater + Soaking Paper

Design and specifications subject to change without notice.  
Actual Shipping weight may differ due to extra packing materials for product protection.

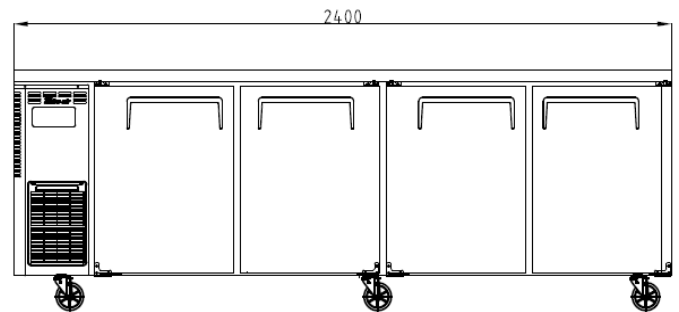
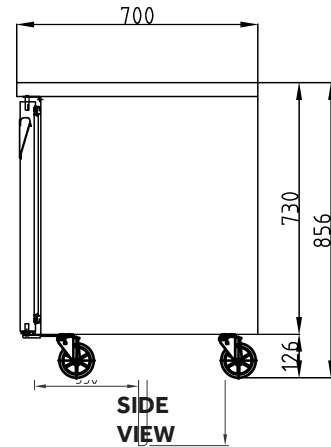
- DOOR LOCKS STANDARD
- INTERIOR LED LIGHTING STANDARD
- SELF-CONTAINED SYSTEM
- STANDARD 4" SWIVEL CASTERS WITH LOCKS ON THE FRONT SET
- ALUMINIUM DOOR FRAME

**WARRANTY 3 YEARS**  
PARTS & LABOUR

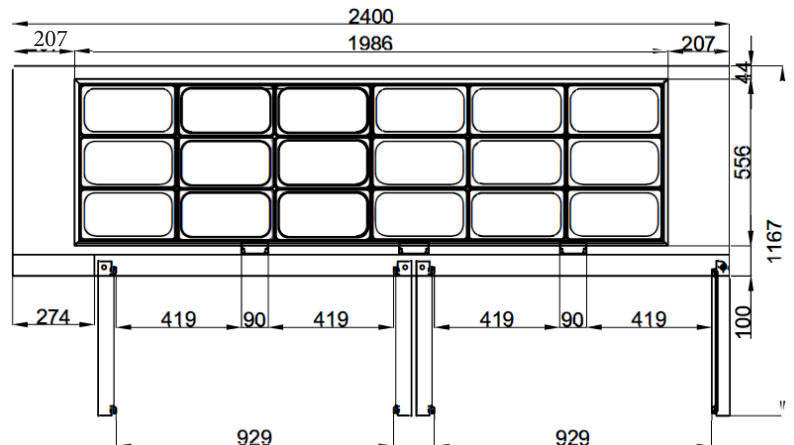


## PLAN VIEW

(unit : mm)



## FRONT VIEW



## TOP VIEW

## AUSTRALIA BRANCH

**Turbo air**  
email : TA.admin@turboairinc.com.au

TURBO AIR PTY LTD  
[www.turboairinc.com.au](http://www.turboairinc.com.au)  
1st Floor, Building E  
10 Highgate St, Auburn  
NSW 2144 Australia  
T. 02 9737 9881