

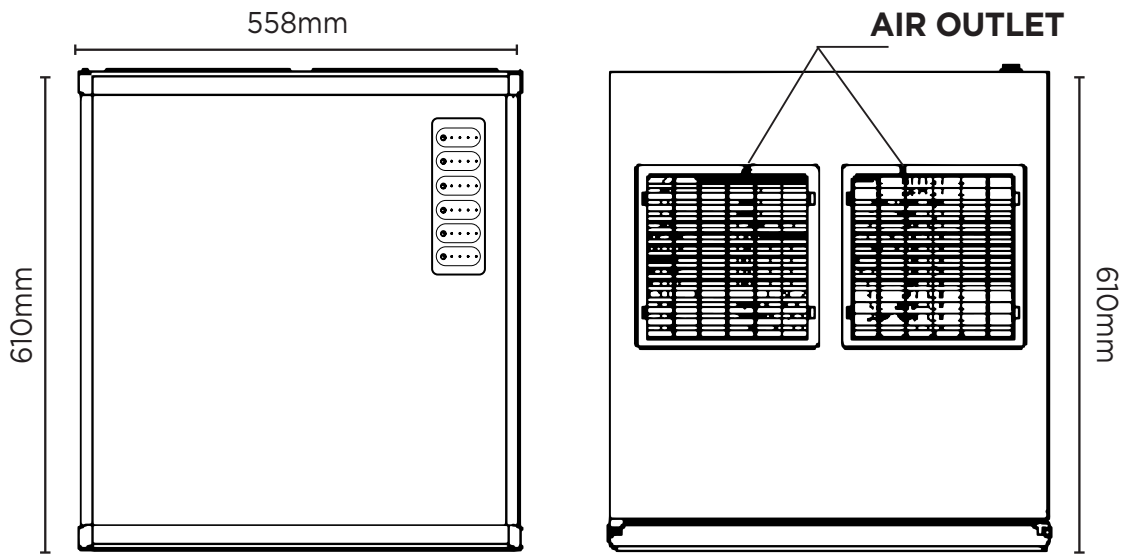
Modular Ice Machine (Head Only) Half Dice - 250kg/24h

| Ice Machines

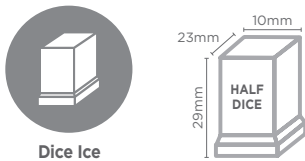


Modular Ice Machine (Head Only) Half Dice - 250kg/24h

| Ice Machines



Ice Dimensions



Dice Ice

SPECIFICATIONS

Model	IM0250HDM
Part Number	3935185
Unit Weight	65kg
Packaged Weight	70kg
Ambient Temperature	40°C
Energy Consumption	13.6kWh/24h
Refrigeration Capacity	1250W
Refrigerant	R404a
Electrical Voltage	220-240V
Frequency	50Hz

Production is based on kg/24hr at 10°C air & 10°C water

Power Supply	Single Phase
Plug Supplied	1 x 16A
Plug Location	Rear, bottom right
Water Consumption	11L/h
Maximum Daily Production	250kg/24h
Ice Type	Half Dice
Ice Weight	10g
Storage Bin Compatibility	SB129, SB178, SB243
Warranty	3 Years Parts & 1 Year Labour Bromic Extra Care

DIMENSIONS

External (mm)	
Width	558
Depth	610
Height	610
Packaged (mm)	
Width	620
Depth	680
Height	800