

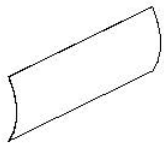
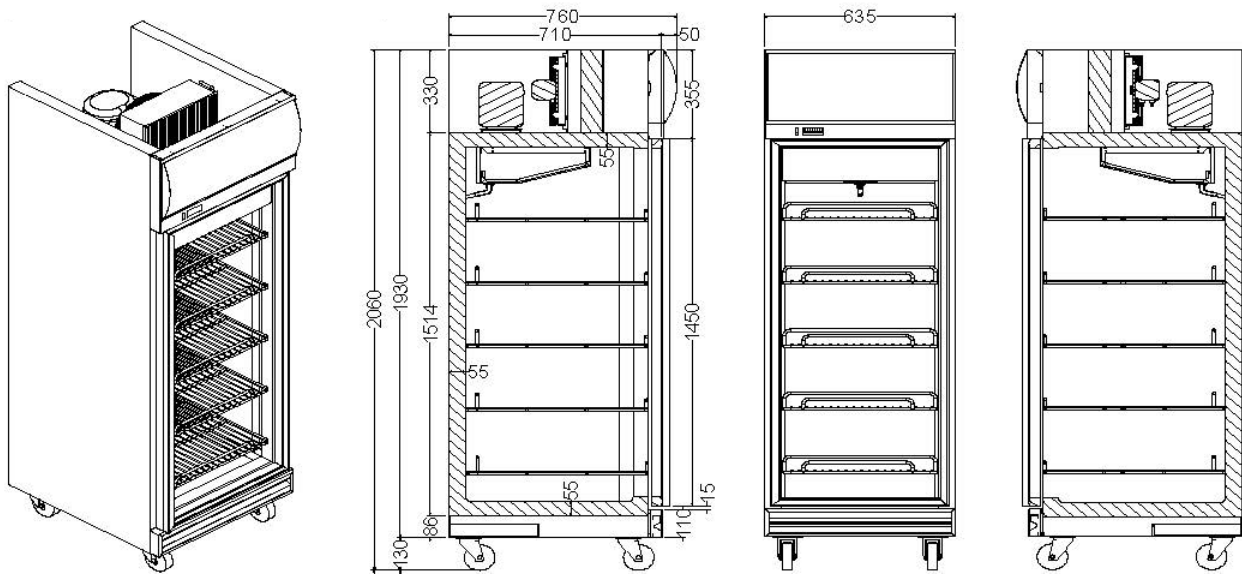
# Upright Display Fridge 444L - 1 Door - Flat Glass - Lightbox

| Vertical Display & Storage



# Upright Display Fridge 444L - 1 Door - Flat Glass - Lightbox

| Vertical Display & Storage



625mm X 300mm

## SPECIFICATIONS

Model Number	GD0500LF
Part Number	3736245
Volume	444L
Unit Weight	95kg
Packaged Weight	100kg
Adjustable Temp. Range	+2 to +8°C
Max. Ambient Temp.	38°C
Climate Class	3M2
Energy Consumption	17.76kWh/24h
GEMS Star Rating	1 Star
Refrigeration Capacity	740W
Air Circulation	Fan Forced
Refrigerant	R134a
Rated Current	4.5A
Electrical Voltage	220-240V
Frequency	50Hz
Power Supply	Single Phase
Plug Plug	1 x 10A
Plug Location	Rear, Top Right

Colour	White with s/steel trim
Display Light Box	Yes
Internal Light	LED
No. of Doors	1
Door Type	Glass
Door Glass Type	Double glazed
Door Style	Hinged
Door Shape	Flat
Door Swing Dimension	720mm
Total Depth of door open	1300mm
Self-Closing Door	Yes
Door Lock	Yes
No. of Shelf Tiers incl Base	6
Shelf Type	Adjustable
Shelf Dimensions	501(w) x 475(d) mm
Temp. Controller	Digital
Castors	Yes
Warranty	2 Years Bromic Extra Care Warranty - Labour and Parts

## DIMENSIONS

<b>External (mm)</b>	
<b>Width</b>	635
<b>Depth</b>	760
<b>Height</b>	2060
<b>Internal (mm)</b>	
<b>Width</b>	520
<b>Depth</b>	550
<b>Height</b>	1420
<b>Packaged (mm)</b>	
<b>Width</b>	700
<b>Depth</b>	820
<b>Height</b>	2116