




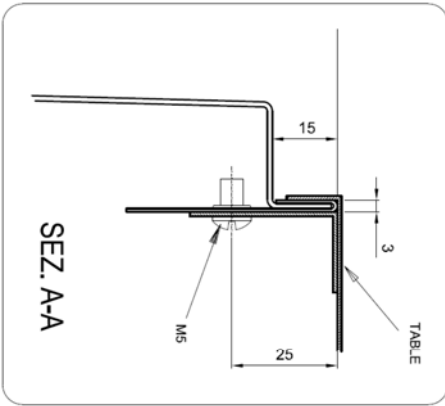
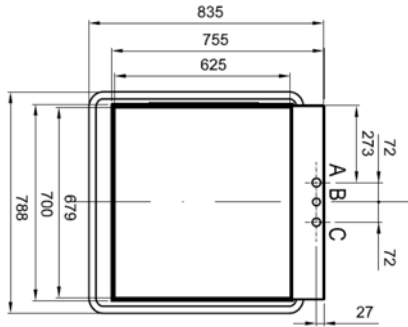
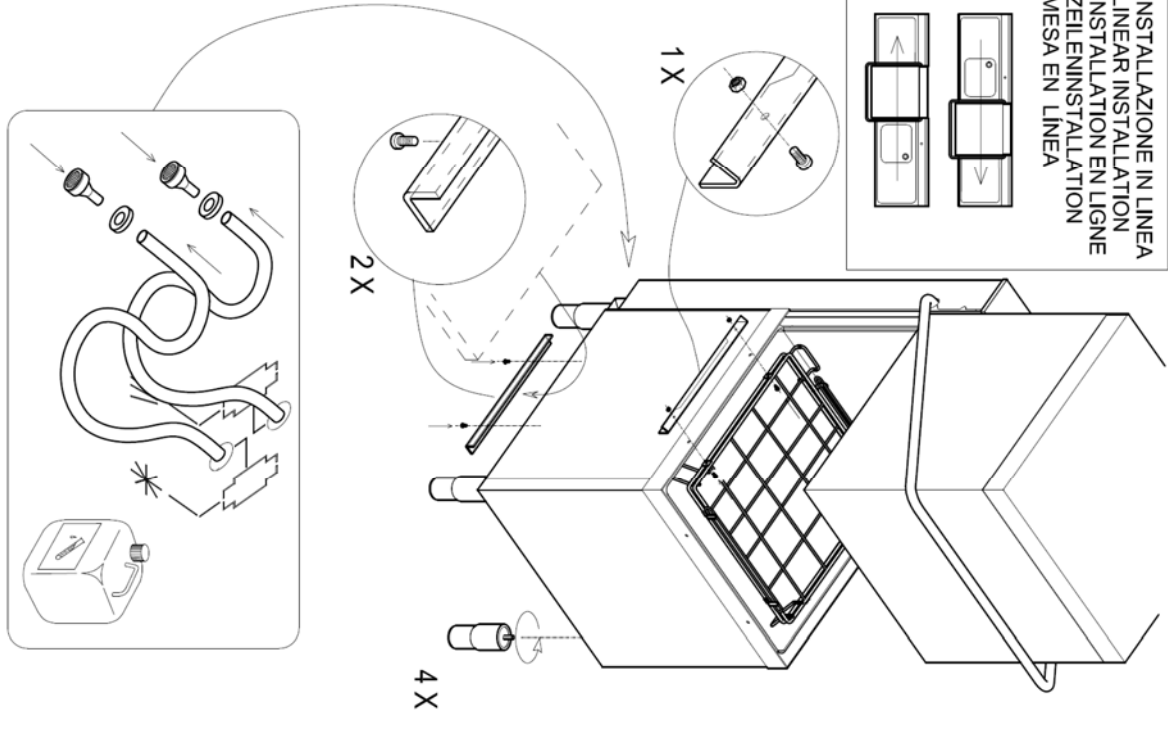
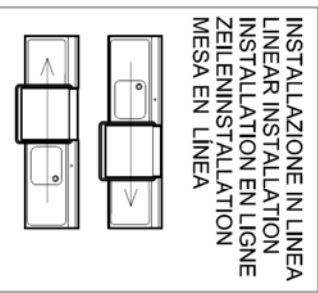
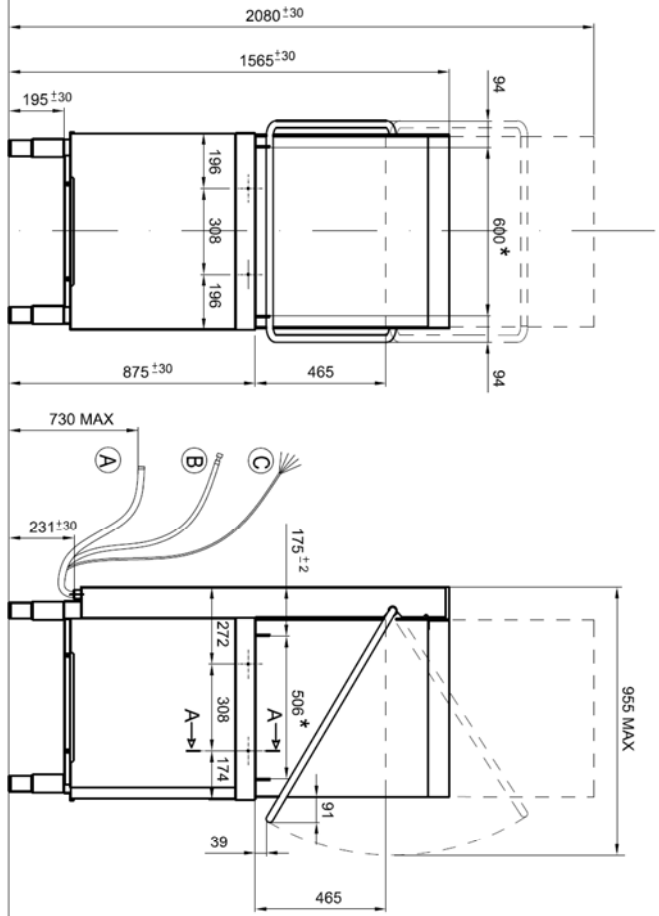


↘	Model	EW 900	
	Code Production	TT3923EWNZCDD	
Interface :			
			
			
↕	Overall Dimension (Width-Depth-Height) *open	mm	788 - 835 - 1565(*2080)
	Packaging Dimension (WxDxH)	mm	870x830x1540
	Gross weight	Kg	130
	Net weight	Kg	120
	Volume	mc	1,10
□	Rack size	mm	500x600
	Max door /hood opening	mm	465
	Max glasses/plate Height	mm	440
	General construction		double skin
	Door/hood Construction		double skin
↘	Tank construction		deep drawn
	Tank volume	liter	30
	Tank heating element	W	3.000
	Tank surface strainers		composite
⊞	Wash pump type		double flow
	Wash pump power	W	1.500
	Wash temperature	°C	60
↘	Boiler type		without pressure
	Boiler volume	liter	12
	Back-flow system		break tank
	Boiler heating element	W	8.000
⊞	Rinse booster pump		YES
	Rinse booster pump power	W	200
	Rinse temperature	°C	80
	Rinse water consumption	Liter /rack	3
	Optimal external water pressure	bar	1 - 4
⊞	Drain system		deep drain
	Drain filter		double filter
	Drain pump		YES
▶	Rinse aid dispenser	peristaltic	YES
	Detergent dispenser	peristaltic	YES
⊞/⊞	Wash cycle	sec	60 - 90 - 150 - continuous
	Self cleaning cycle		YES
	Water softener (type continuous)		NO
⚡	Electric Power	W	9.500
	Electric Connection	V - ph - Hz	400V 3N 50Hz
	Fuse	A	16
▶	Plates racks	n° 1	70180
	Flat Rack	n° 1	70181
	Cutterly Rack	n° 1	780081
	Electric cable	n° 1	YES
	Drain hose	n° 1	YES
	Fill hose	n° 1	YES

A		Ø 32 mm
B		G 3/4"
C		Power supply



* LUCE UTILE PER CESTELLO
USEFUL SPACE FOR BASKET
LUMIERE UTILE POUR PANIER
NUTZBARE OFFENUNG FÜR KORBE
ABERTURA UTIL PARA CESTO



Installation layout

Hood type with drain pump

Code: 70991 02



Designed by: MAFUCCI

Date: 03.12.2013

Designation:

Rev: