



B&S BLACK SERIES: NC-CF Noodle Cooker with Cheung Fun Insert

Project: _____ Item: _____



NC-CF

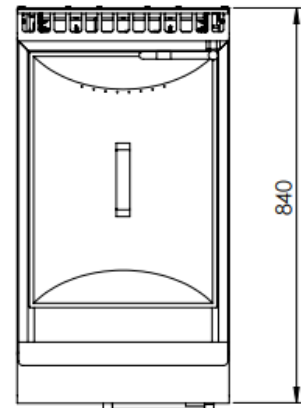
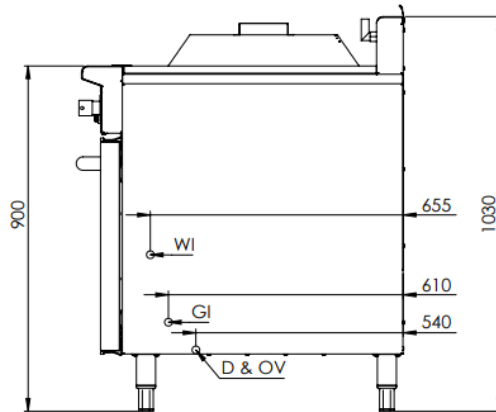
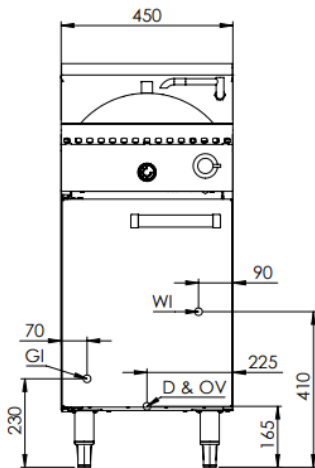
Standard Features:

- AISI Grade Stainless Steel
- AISI 316 Marine grade stainless steel tank – 1.5mm Thick
- Efficient multi-jet target burner
- In-built water overflow helps remove water impurities
- Water temperature is thermostatically controlled
- 30L water capacity
- Flame Failure - Included as standard
- Piezo ignition to pilot multi-jet target burner
- Aluminium perforated steaming plate - 5mm thick
- Cheung fun adapter and lightweight lid provided
- Front access to all components makes service easy
- Pan Dimensions: 455mm D x 300mm W x 120mm H
(Height is measured from the base plate to water level mark)

Options:

- Natural or LPG Gas
- Non-swivel rear castors – Set of two

Specifications:



MODEL	LENGTH (mm)	DEPTH (mm)	HEIGHT (mm)	NET WEIGHT (kg)	GAS CONSUMPTION (Mj/h)	
					NG	LPG
NC-CF	450	840	1030	-	70	75

Connections:

GAS (GI) (BSP)	WATER (WI)	DRAIN (D) OVERFLOW (OV)	SUPPLY PRESSURE (kPa)	
			NG	LPG
3/4" (F)	1/2" (Copper)	D & OV = 1" BSP (M)	1.0	2.6

- Combination control valve with inbuilt regulator is supplied within the unit
- **Must** be installed by an authorised installer in accordance to **AS/NZS5601 refer to current version**

Due to ongoing Product Development, Product Improvement and Research, B+S Commercial Kitchens reserves the right to alter specification without notice.

Approval Number: GMK 10682



B+S Commercial Kitchens
57 Plateau Road Reservoir VIC 3073 Australia | +61 3 9469 4754
info@bscommercialkitchens.com | www.bscommercialkitchens.com

