



# B+S BLACK SERIES: BT-SB4-GRP3

## Combination Four Open Burners & 300mm Grill Plate on Stand

Project: \_\_\_\_\_ Item: \_\_\_\_\_



BT-SB4-GRP3

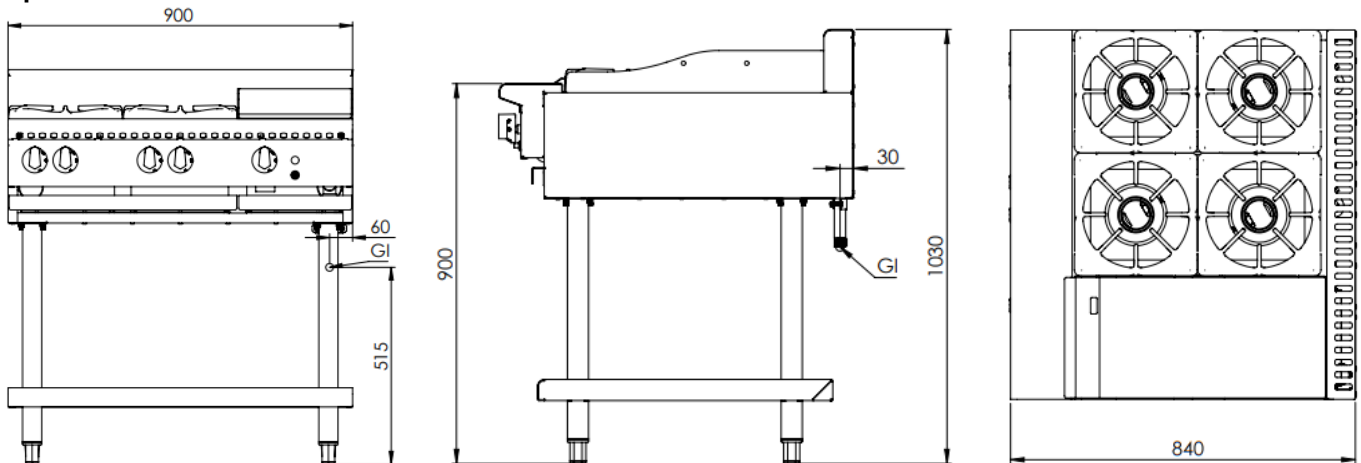
### Standard Features:

- AISI Grade Stainless Steel
- Heavy duty complete stainless steel frame with undershelf
- 31MJ black enameled Italian made burner (BT)
- 22MJ aluminised tube burner per 300mm section (GRP)
- Heavy duty Italian made vitreous enameled trivets
- Heavy duty mild steel grill plate (12mm Thick)
- Italian made top welded smooth finish design
- Removable pressed top spillage tray for easy cleaning
- Removable heavy duty two-piece burner for easy cleaning
- Flame Failure - Included as standard
- Piezo ignition to pilot grill plate burner
- Multi-setting gas valve – Allows greater regulation of flame setting
- Easy access to all components for servicing and adjustments
- Easy to clean fat spillage trays

### Options:

- Natural or LPG Gas
- PLT – With Pilot
- Non-swivel rear castors – Set of two
- Chrome Plating

### Specifications:



| MODEL       | LENGTH (mm) | DEPTH (mm) | HEIGHT (mm) | NET WEIGHT (kg) | GAS CONSUMPTION (Mj/h) |     |
|-------------|-------------|------------|-------------|-----------------|------------------------|-----|
|             |             |            |             |                 | NG                     | LPG |
| BT-SB4-GRP3 | 900         | 840        | 1030        | -               | 146                    | 122 |

### Connections:

| GAS (GI) (BSP) | SUPPLY PRESSURE (kPa) |     |
|----------------|-----------------------|-----|
|                | NG                    | LPG |
| 3/4" (M)       | 1.0                   | 2.6 |

- Gas regulator is included with the unit
- **Must** be installed by an authorised installer in accordance to **AS/NZS5601** refer to current version

Due to ongoing Product Development, Product Improvement and Research, B+S Commercial Kitchens reserves the right to alter specification without notice.

Approval Number: GMK 10686



B+S Commercial Kitchens  
57 Plateau Road Reservoir VIC 3073 Australia | +61 3 9469 4754  
info@bscommercialkitchens.com | www.bscommercialkitchens.com

