

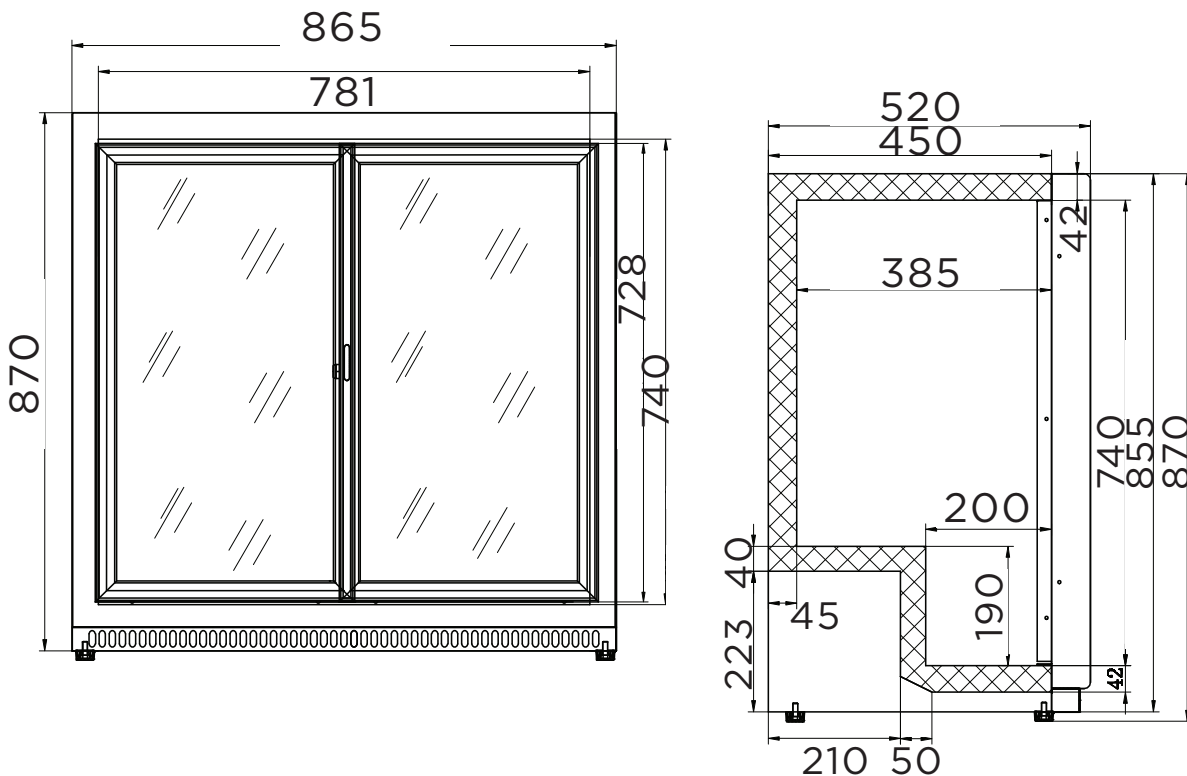
Back Bar Fridge 190L - 2 Doors - Sliding

| Bar Fridge & Freezers



Back Bar Fridge 190L - 2 Doors - Sliding

| Bar Fridge & Freezers



SPECIFICATIONS **DIMENSIONS**

Model Number	BB0200GDS-NR-1	Plug Location	Rear, bottom	External (mm)	
Part Number	3736072-1	Colour	Black	Width	865
Volume	190L	Internal Light	LED	Depth	543
Unit Weight	72kg	No. of Doors	2	Height	870
Packaged Weight	77kg	Door Type	Glass	Internal (mm)	
Adjustable Temp. Range	+1 to +10°C	Door Glass Type	Double Glazed	Width	781
Max. Ambient Temp.	38°C	Door Style	Sliding	Depth	385
Climate Class	3M1	Self-Closing Door	Yes	Height	740
Energy Consumption	2.6kWh/24h	Door Lock	Yes	Packaged (mm)	
GEMS Star Rating	4 stars	No. of Shelf Tiers inc Base	3	Width	915
Refrigeration Capacity	213W	Shelf Type	Adjustable	Depth	564
Refrigerant	R600	Shelves Dimensions	370(w) x 326(d) mm	Height	895
Rated Current	1.2A	Temp. Controller	Digital		
Electrical Voltage	220-240V	Castors	No, adjustable feet		
Frequency	50Hz	Warranty	2 Years Parts & Labour		
Power Supply	Single Phase		Bromic Extra Care		
Power Plug	1 x 10A				