

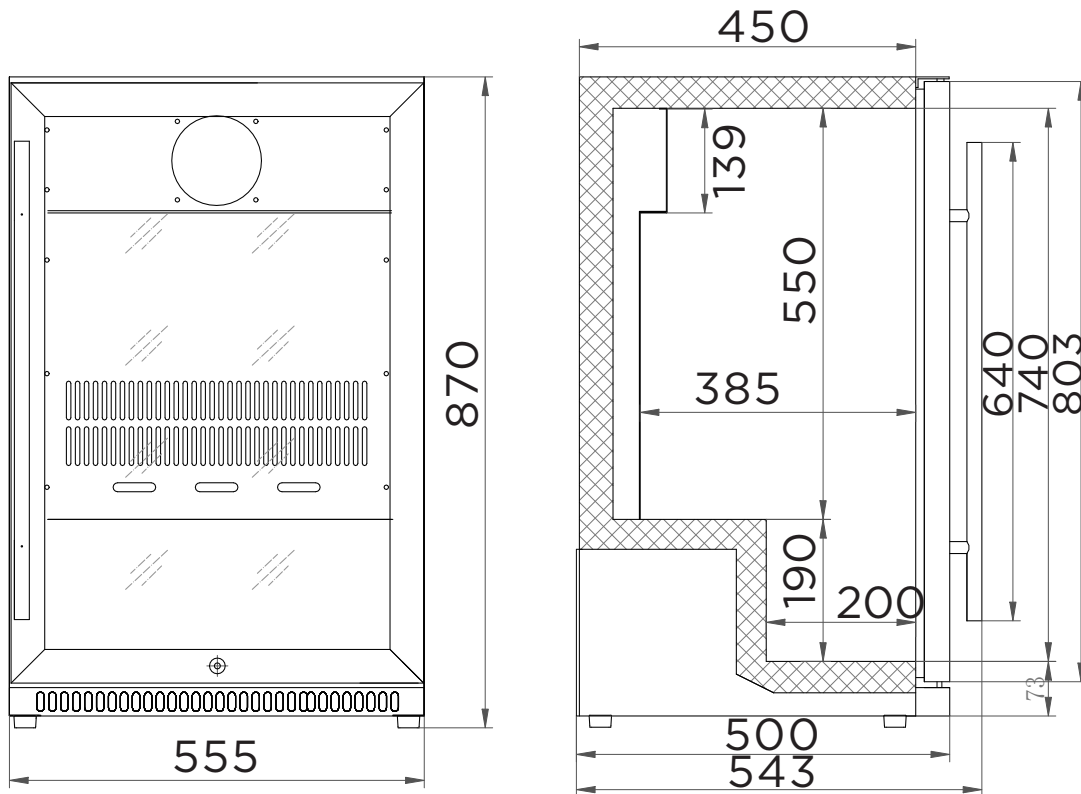
Back Bar Fridge 118L - 1 Door - Hinged

| Bar Fridge & Freezers



Back Bar Fridge 118L - 1 Door - Hinged

| Bar Fridge & Freezers



SPECIFICATIONS

Model Number	BB0120GD-NR-1
Part Number	3736070-1
Volume	118L
Unit Weight	58kg
Packaged Weight	60kg
Adjustable Temp. Range	+1 to +10°C
Max. Ambient Temp.	38°C
Climate Class	3M1
Energy Consumption	1.44kWh/24h
GEMS Star Rating	6 stars
Refrigeration Capacity	182W
Refrigerant	R600
Rated Current	0.95A
Electrical Voltage	220-240V
Frequency	50Hz
Power Supply	Single Phase
Power Plug	1 x 10A
Plug Location	Rear, bottom

Colour	Black
Internal Light	LED
No. of Doors	1
Door Type	Glass
Door Glass Type	Double Glazed
Door Style	Hinged
Door Swing Dimension	553mm
Total Depth of Door Open	1022mm
Self-Closing Door	Yes
Door Lock	Yes
No. of Shelf Tiers inc Base	3
Shelf Type	Adjustable
Shelves Dimensions	456(w) x 360(d) mm
Temp. Controller	Digital
Castors	No, adjustable feet
Warranty	2 Year Parts & Labour Bromic Extra Care

DIMENSIONS

External (mm)	
Width	555
Depth	543
Height	870
Internal (mm)	
Width	470
Depth	385
Height	740
Packaged (mm)	
Width	605
Depth	564
Height	895