



# UNIVERSAL 12-CIRCUIT FUSE BOX WIRING HARNESS

Part No: BWAPRO12

**Please read the following instructions carefully:**

This kit does not include all the wire and connectors you need to wire up a complete vehicle. This wire harness kit is designed to replace your fuse box and main wire harness only. The wire that come out of the fuse box is designed to go directly to your vehicles existing switches and connectors. You will use your factory harness, or supply your own wire to complete the rest of the wiring after the switch or connector.

The instructions include basic wiring diagrams to show how to integrate this harness to standard vehicle wiring system. The diagrams are for reference only and do not indicate how your vehicle is wired. The diagrams also show other wires and components that are not included in your kit. This kit is ideal for basic vehicle wiring for Rat Rods, Hot Rods, Street Rods, Dune Buggies, and Custom Vehicles. Please look at our Bluewire Automotive 13-Circuit to our 24-Circuit Series of wire panel systems if you are looking for a complete wire harness system that includes all the wires and switches need for a full install.



**IMPORTANT INFORMATION!**

*The below instructions are referring to a general installation. Your vehicle may vary from the vehicles described in these instructions use the diagrams that best describe your vehicle*

**Mounting the fuse panel:**

The best place to mount the fuse panel is in a flat dry location away from any heat source near the steering column. It is important to note that you should avoid running or mounting wire away from any moving parts such as: brake pedal, gas pedal, linkage controls, and steering controls. Once mounted, find a location on the firewall and drill a 1 1/4" hole to run all needed wires into the engine compartment of the vehicle.

**Final Installation:**

By this time all wires should be connected or terminated and secured to your vehicle. To start your vehicle for the first time follow these easy steps:

- 1: Turn off all accessories.
- 2: Close all doors, hood, and trunks.
- 3: Place the ignition switch in the "OFF" position.
- 4: Check to insure there is a fuse on the starter wire.
- 5: Connect the negative battery cable to the battery.
- 6: Check for current draw by connecting one side of a test light to the positive cable, and the other end to the positive side of the battery. If the light goes on you have a either a short or an accessory drawing power. To find the short remove each wire until the light goes out. If you have a dim or no light then it's safe to hook up the positive cable.
- 7: Test the system and all accessories.

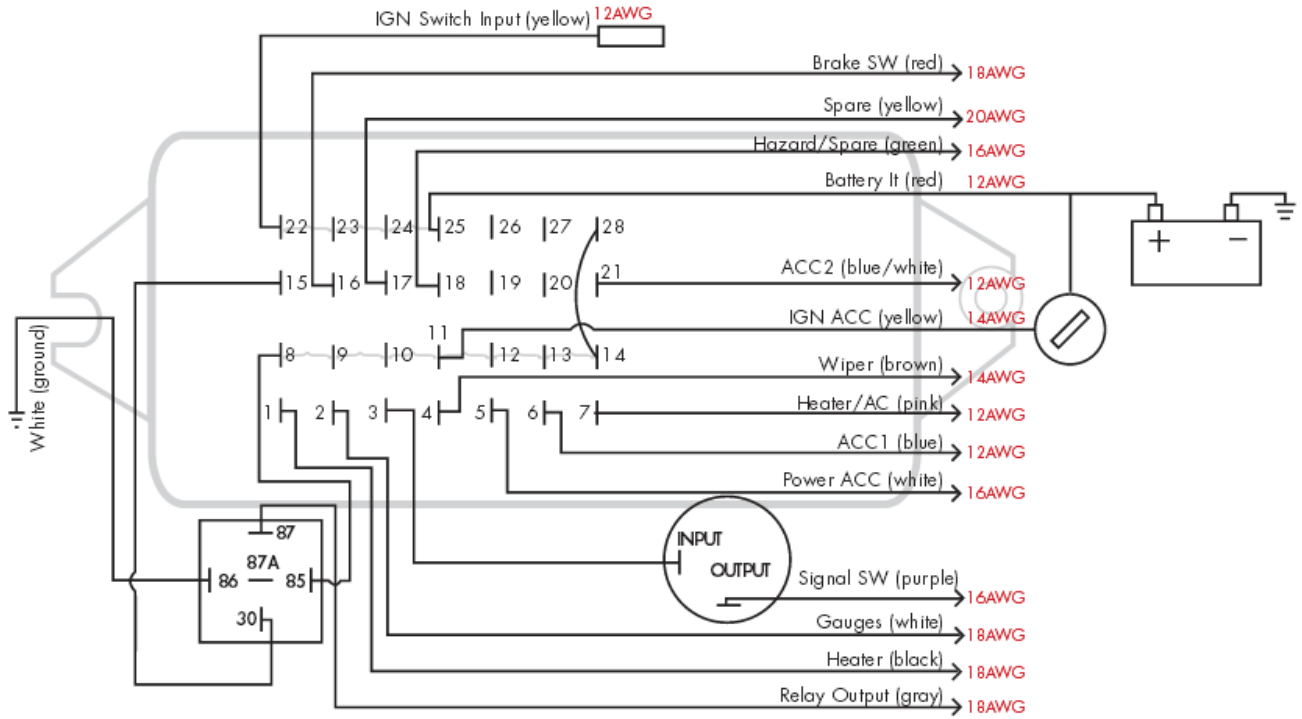
**CHECKLIST**

No. Terminal 1	No. Terminal 2	Color	Fuse Size	Output 1	RELOCATE	NOT USED
1	8	Black	20amp	Heater		
2	9	White	15amp	Gauges		
3	10	Purple	15amp	Signal Sw		
4	11	Brown	20amp	Wiper		
5	12	White	30amp	Power ACC		
6	13	Blue	30amp	ACC1		
7	14	Pink	30amp	Heater/AC		
15	22	Gray	20amp	Relay		
16	23	Red	15amp	Brack Sw		
17	24	Yellow	10amp	Spare		
18	25	Green	5amp	Hazard/Spare		
19	26	N/A	Not Used	N/A		
20	28	N/A	Not Used	N/A		
21	21	Blue/White	30amp	ACC2		

# USER GUIDE AND INSTALLATION MANUAL

## UNIVERSAL 12-CIRCUIT FUSE BLOCK SHORT HARNESS

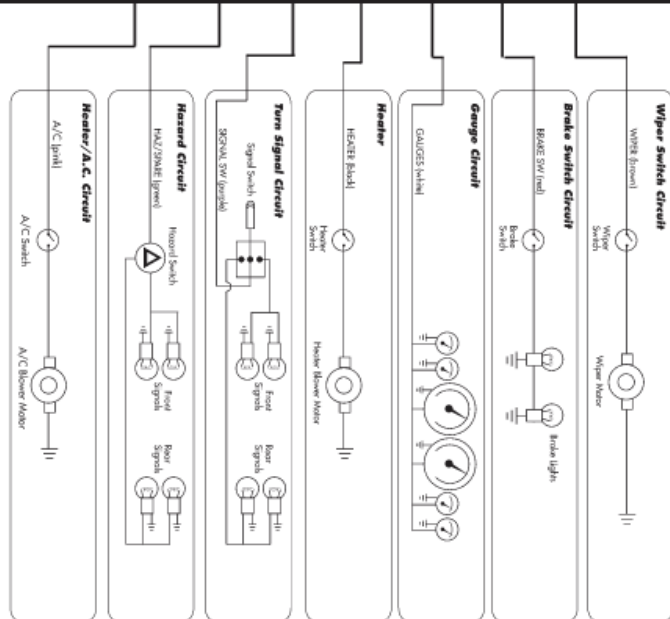
### Included in Kit:



### Not Included In Kit

Ctrl+N

Please refer to page 3 for these wiring suggestion diagrams.



# USER GUIDE AND INSTALLATION MANUAL

## UNIVERSAL 12-CIRCUIT FUSE BLOCK SHORT HARNESS

### Wiper Switch Circuit



### Brake Switch Circuit



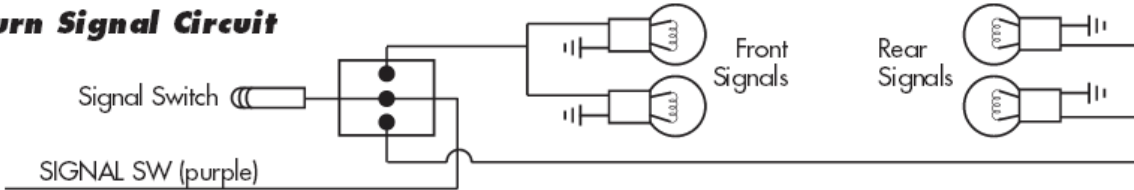
### Gauge Circuit



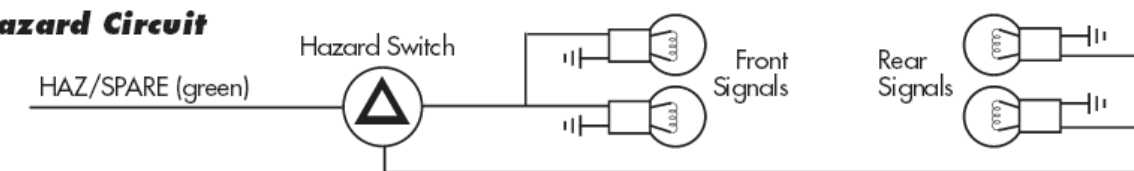
### Heater/A.C. Circuit



### Turn Signal Circuit



### Hazard Circuit



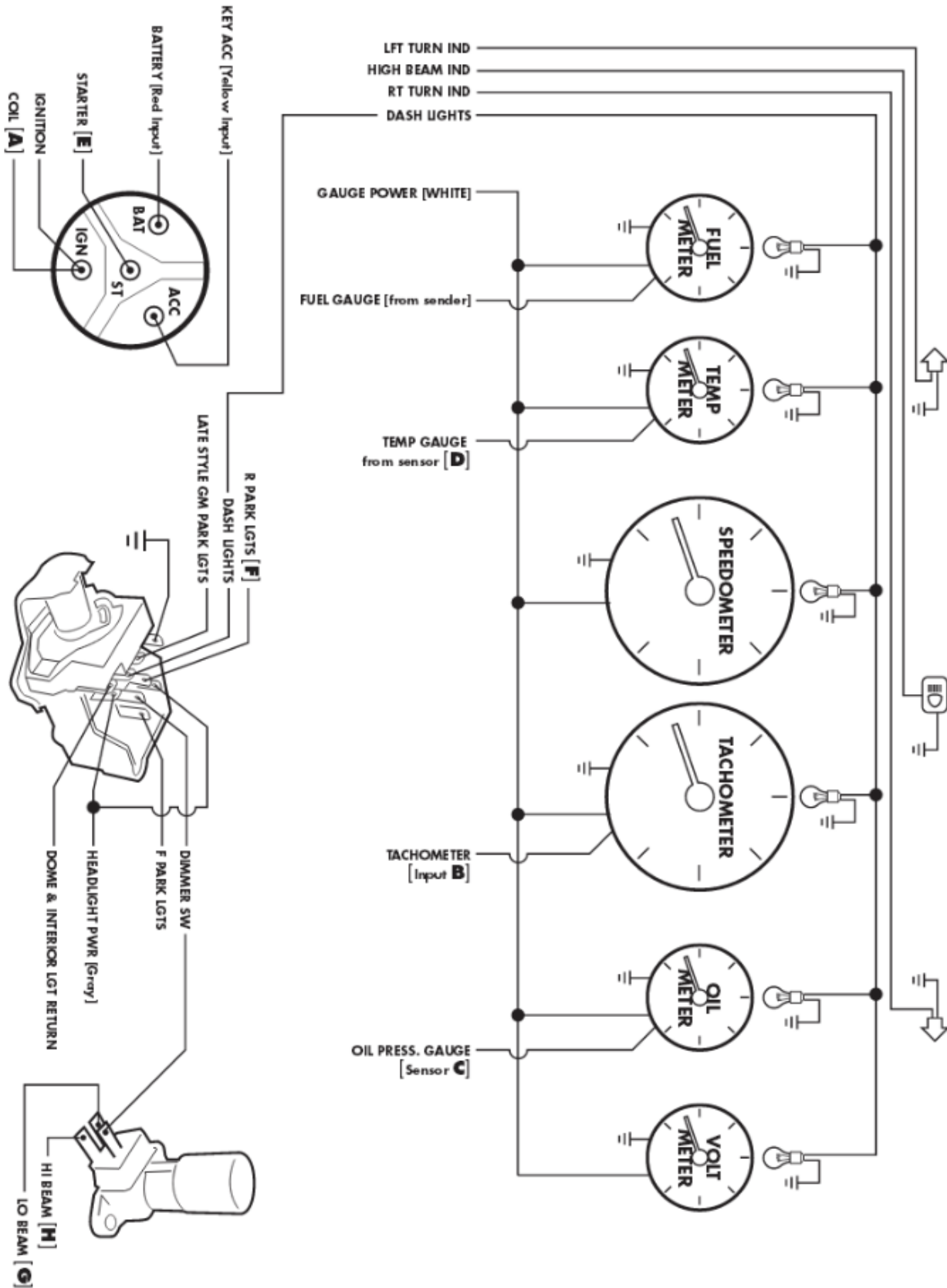
### A.C. Circuit



# USER GUIDE AND INSTALLATION MANUAL

## UNIVERSAL 12-CIRCUIT FUSE BLOCK SHORT HARNESS

**DASH SECTION**  
For Reference Only. Wires not included.

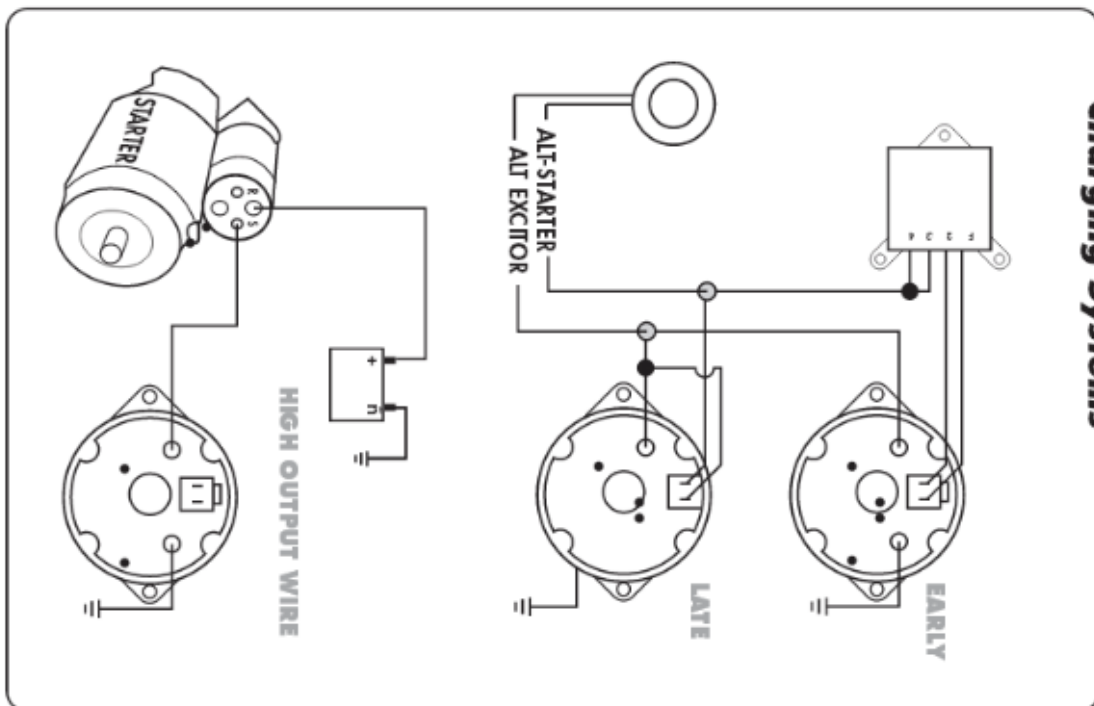
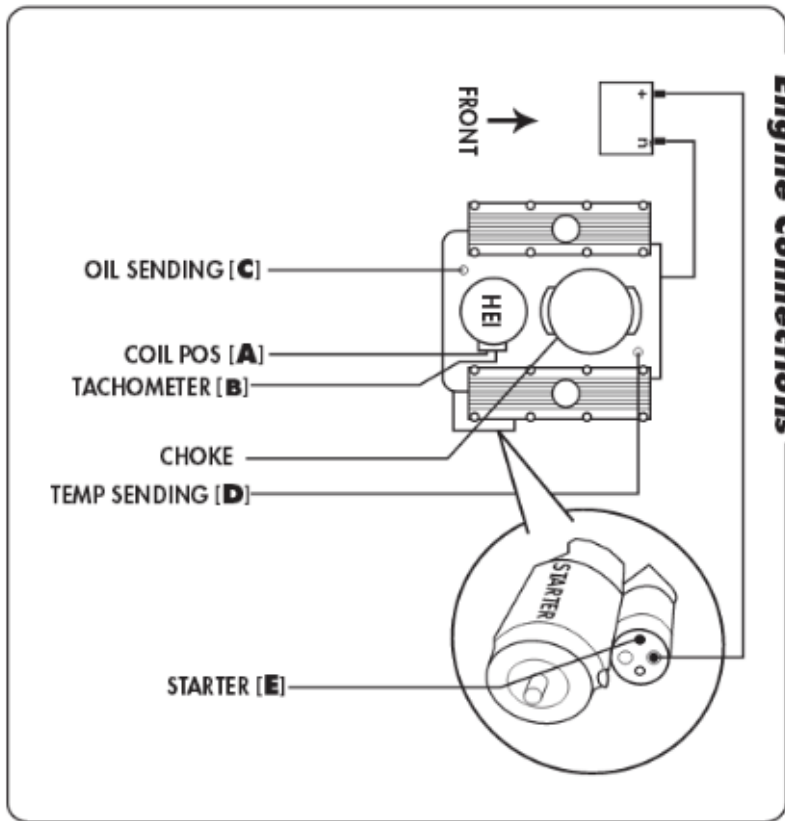
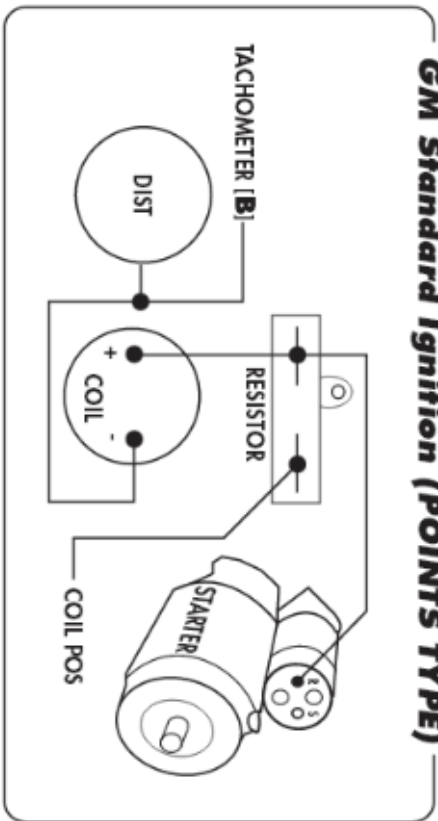




**USER GUIDE AND INSTALLATION MANUAL**

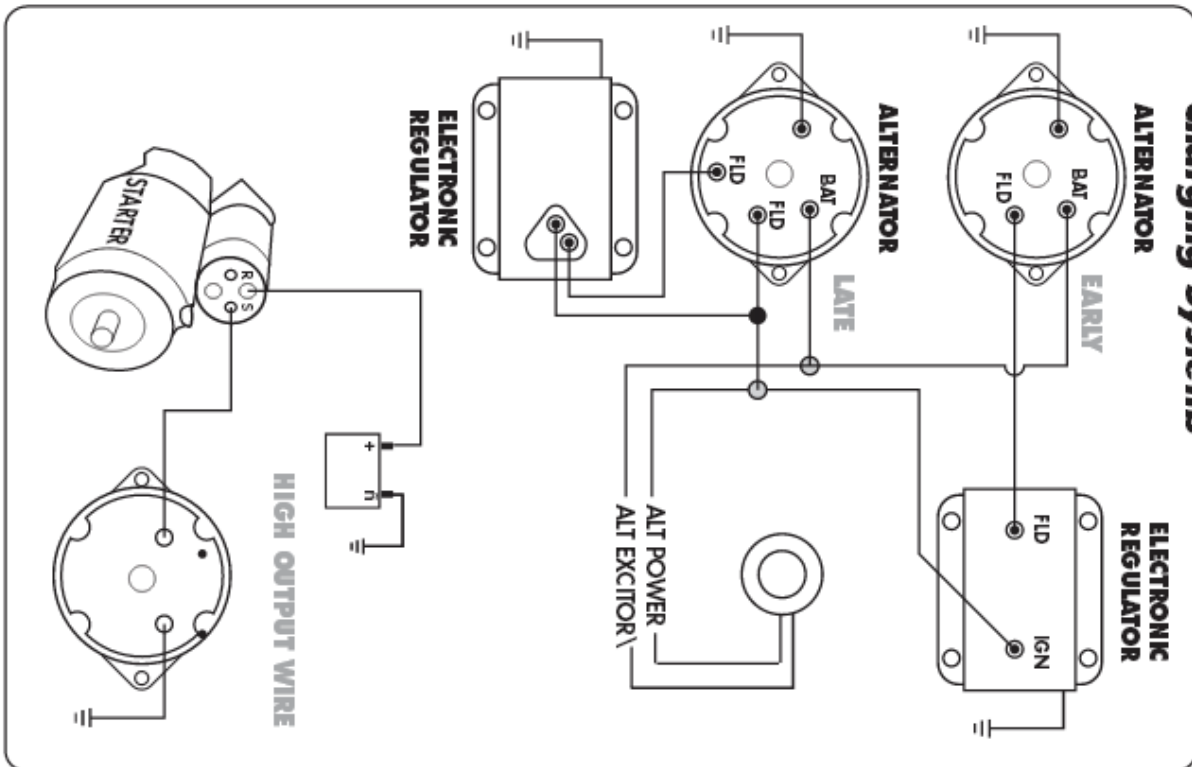
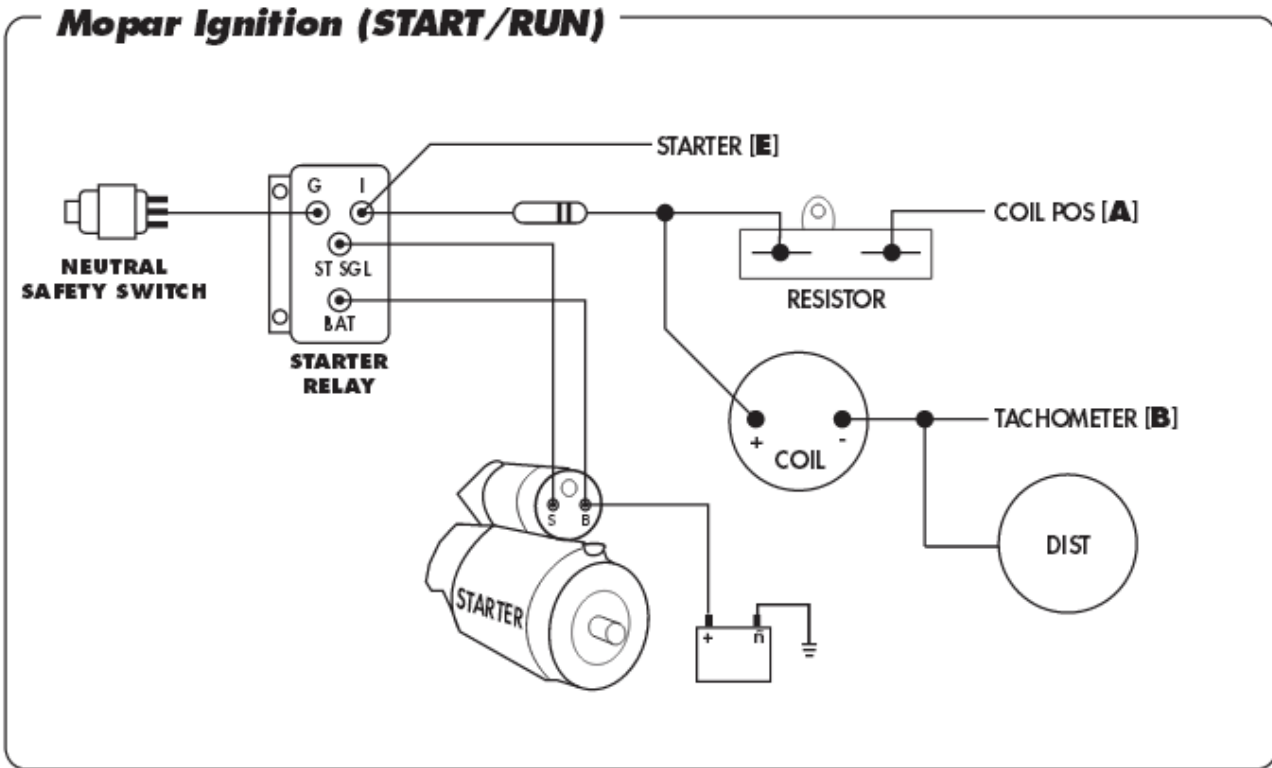
**UNIVERSAL 12-CIRCUIT FUSE BLOCK SHORT HARNESS**

**GM SPECIFIC DIAGRAMS**  
**For Reference Only. Wires not included.**



# USER GUIDE AND INSTALLATION MANUAL

## UNIVERSAL 12-CIRCUIT FUSE BLOCK SHORT HARNESS

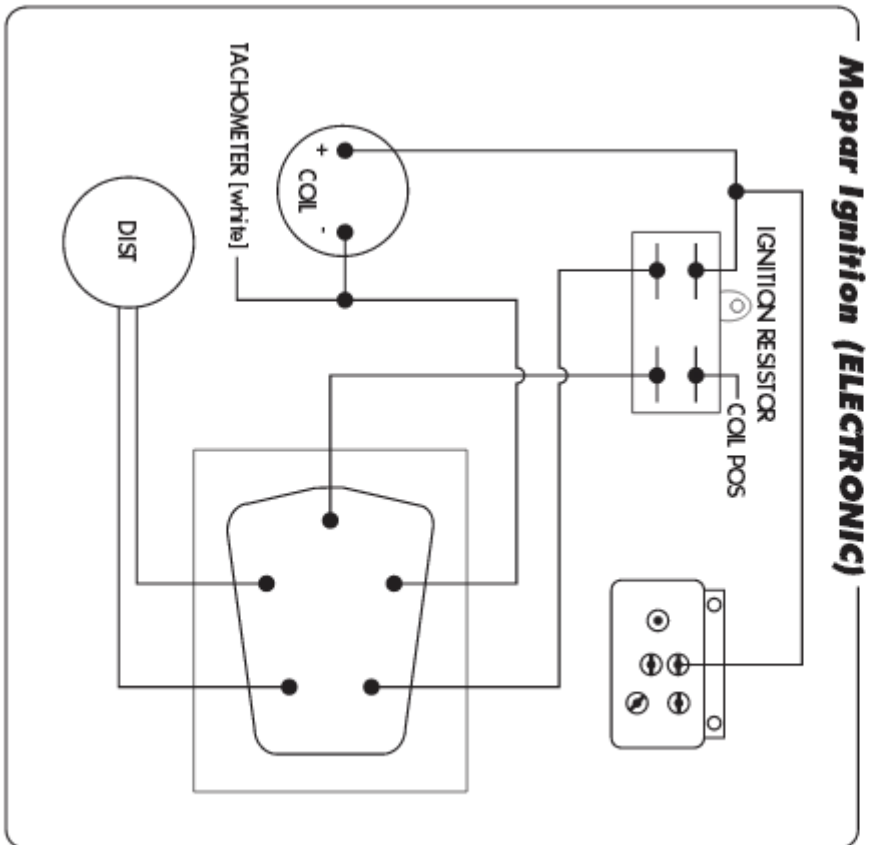
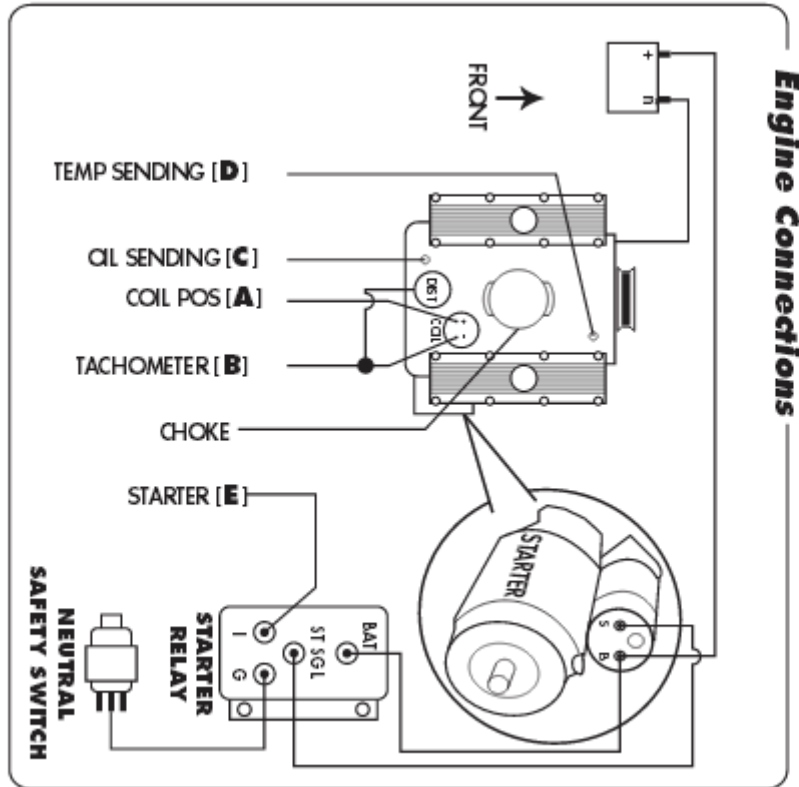


**MOPAR SPECIFIC DIAGRAMS 1 OF 2**  
**For Reference Only. Wires not included.**

# USER GUIDE AND INSTALLATION MANUAL

## UNIVERSAL 12-CIRCUIT FUSE BLOCK SHORT HARNESS

**MOPAR SPECIFIC DIAGRAMS 2 OF 2**  
**For Reference Only. Wires not included.**











# USER GUIDE AND INSTALLATION MANUAL

## UNIVERSAL 12-CIRCUIT FUSE BLOCK SHORT HARNESS

### Steering Column Information For Reference Only

Ford Steering Column Conversion		Ford Ignition Switch Conversion	
<b>Wire:</b>	<b>Ford Color:</b>	<b>Wire:</b>	<b>Ford Color:</b>
Left Frt. Signal (Lt. Blue)	Green/White	IGN SW Power (Red)	Yellow
Right Frt. Signal (Blue)	White/Blue	IGN SW IGN (Pink)	Red/Green
Left Rear Turn (Yellow)	Green/Orange	IGN SW ACC (Orange)	Black
Right Rear Turn (Green)	Orange/Blue	IGN SW Start (Purple)	White/Blue
Horn Sw (Lt. Green)	Yellow		
Brake Switch (White)	Green		
Turn Flasher (Purple)	Blue		
Hazzard (Dk. Brown)	White/Red		

MOPAR Column Conversion (1970-74)		MOPAR Column Conversion (70s-Early 80s')	
<b>Wire:</b>	<b>MOPAR Color:</b>	<b>Wire:</b>	<b>MOPAR Color:</b>
Left Frt. Signal (Lt. Blue)	Green	Left Frt. Signal (Lt. Blue)	Lt. Green
Right Frt. Signal (Blue)	Tan	Right Frt. Signal (Blue)	Tan
Left Rear Turn (Yellow)	Dark Green	Left Rear Turn (Yellow)	Dark Green/Red
Right Rear Turn (Green)	Brown	Right Rear Turn (Green)	Brown/Red
Horn Sw (Lt. Green)	Black	Horn Sw (Lt. Green)	Black/Red
Brake Switch (White)	White	Brake Switch (White)	White
Turn Flasher (Purple)	Red	Turn Flasher (Purple)	Red
Hazzard (Dk. Brown)	Pink	Hazzard (Dk. Brown)	Pink

MOPAR Ignition Switch Conversion	
<b>Wire:</b>	<b>MOPAR Color:</b>
IGN SW Power (Red)	Red
IGN SW IGN (Pink)	Brown
IGN SW ACC (Orange)	Blue
IGN SW ACC (Brown)	Black
IGN SW Start (Purple)	Yellow



No.	Spec.	Color	
D8	16AWG	V	HORN/FLASHER
H25	16AWG	Br	HAZARD
H26	16AWG	V	F1

# USER GUIDE AND INSTALLATION MANUAL

## UNIVERSAL 12-CIRCUIT FUSE BLOCK SHORT HARNESS

Use this harness kit to replace or convert to a GMkeyed steering column.

### COLOR CODES FOR IGNITION SWITCH

#### WHITE HOUSING

Brown	Accessory
Red	Battery Power (B+)
Pink	Ignition Coil (smaller wire terminal)
Purple	Start

#### BLACK HOUSING

Red	Battery Power (B+)
Orange	Accessory

NOTE: Orange wire will need a larger terminal (copper in color) than the others.

### TURN SIGNAL COLOR CODES FOR WIRE PORT

#### WHITE AND BLACK HOUSINGS

Black	Horn Ground	G
Lt. Blue	Left Front Turn	H
Blue	Right Front Turn	J
Brown	Hazard Power	K
Purple	Turn Signal Power	L
Yellow	Left Rear Turn	M
Green	Right Rear Turn	N
White	Brake Light Input	P

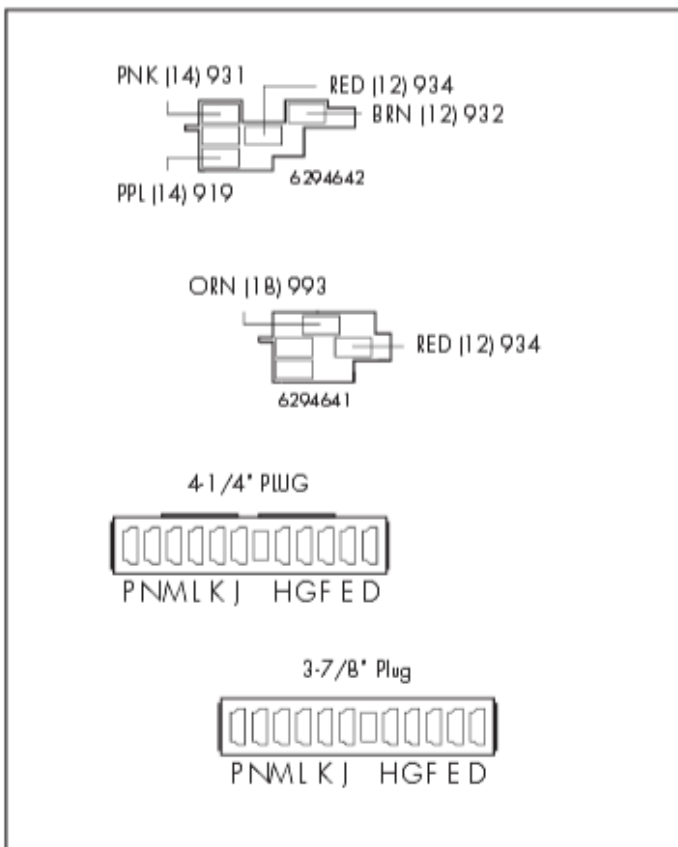
### DIMMER SWITCH COLOR CODES

#### BLACK PYRAMID HOUSING

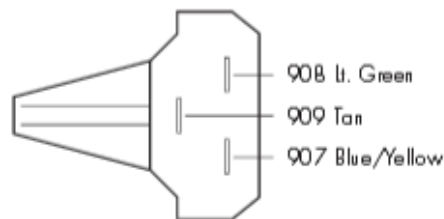
Blue/Yellow	Power From Light Switch
Tan	low Beams
Lt. Green	High Beams

NOTE: Both the floor and column mounted switches use the same connector assembly.

GM Turn Signal connector



Steering Column Dimmer Switch



Floor Dimmer Switch



# USER GUIDE AND INSTALLATION MANUAL

## UNIVERSAL 12-CIRCUIT FUSE BLOCK SHORT HARNESS

USE THESE EXCELLENT ADD-ON ACCESSORIES TO YOUR WIRE HARNESS SYSTEM

<p><b>IGNITION SWITCHES</b></p> 	<p><b>BATTERY RELOCATION KITS</b></p> 
<p><b>HEADLIGHT SWITCHES</b></p> 	<p><b>ALTERNATOR WIRE KITS</b></p> 
<p><b>DIMMER SWITCHES</b></p> 	<p><b>WIRE MANAGEMENT</b></p> 
<p><b>HEAVY DUTY RELAY KITS</b></p> 	<p><b>BATTERY CUT OFF SWITCHES</b></p> 