



NEUTRAL SAFETY SWITCH & REVERSE LIGHT RELAY KIT

Instructions for our Neutral Safety Switch & Reverse Light Relay kit using out BWA micro switches if not supplied with your automatic gear shift kit, Will operate on B&M Hurst and many more shifters.



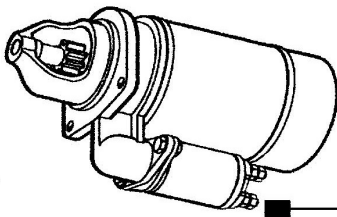
IMPORTANT INFORMATION!

Disconnect the battery before fitting.
Always best fitted by a professional auto electrician.

Unit Operation

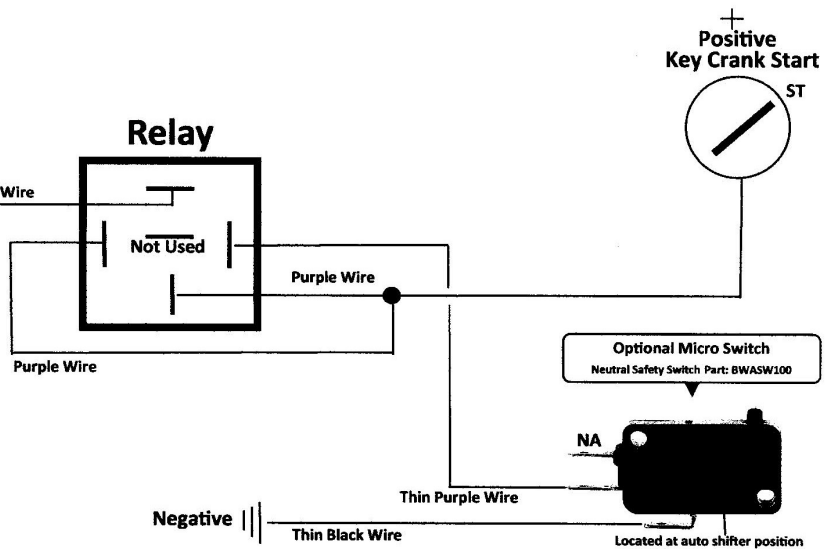
AUTO TRANS NEUTRAL SAFETY SWITCH RELAY WIRING KIT

Our high amp universal auto trans neutral safety switch relay kit protects you from starting in gear.



Features:

- Relay :: Heavy Duty 40amp
- Volts :: 12 Volts
- Starter Motor Harness Length :: 2mtrs
- Start Key Harness Length :: 1mtrs
- 1pin Starter Connector :: Included
- Harness :: Plug In Socket
- Micro Switch :: Not Included
- BWA Harness Compatible :: Yes
- After-market Harness Compatible :: Yes

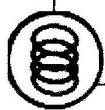


AUTO TRANS REVERSE LIGHT SWITCH RELAY WIRING KIT

Our high amp universal auto trans reverse light switch relay kit adds back up safety lights when in reverse.

Reverse Light Right

Negative



Reverse Light Left

Negative



Features:

- Relay :: Heavy Duty 40amp
- Volts :: 12 Volts
- Light Harness Length :: 4mtrs
- Start Key Harness Length :: 1mtrs
- Micro Switch :: Not Included
- BWA Harness Compatible :: Yes
- After-market Harness Compatible :: Yes

