



USER GUIDE AND INSTALLATION MANUAL

1 TOUCH ECO WIPER LOW/HIGH CONTROL MODULE

Use the Push Button ECO Wiper Low/High Module to control your heater wipers with a push of a button!

A great tool to use with one of our etched Billet Buttons



IMPORTANT INFORMATION!

- 1** You must use relays on ALL outputs except for Status LED output.
- 2** All outputs are negative trigger.

Unit Operation

Low Wiper Output

1. Press button (Blue Input) for 1 second to turn on wiper Low output.
2. Press button again (Blue Input 1) for 1 second to turn off wiper Low output.

High Wiper Output

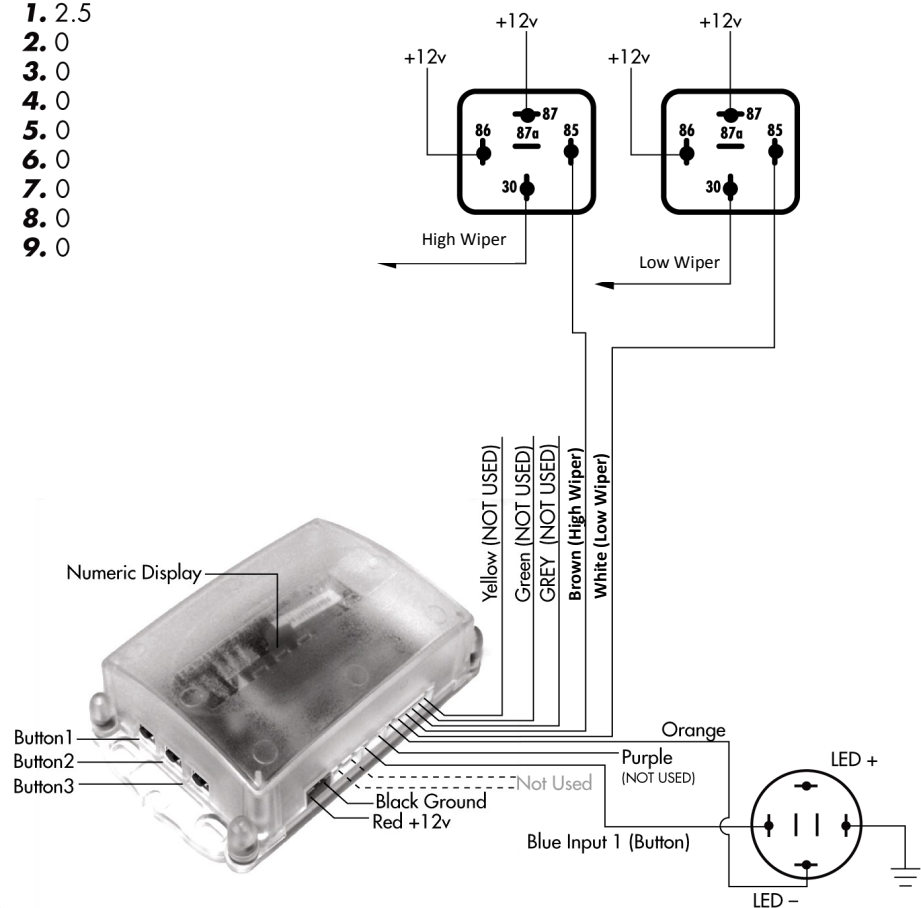
1. Press button (Blue Input) for more than 3 seconds. Wiper High will activate.
2. To turn wipers off, Press & hold button (Blue Input 1) for more than 3 seconds.

Settings

- A. Press button 1 for five seconds to enter programming mode. Digital display will illuminate.
- B. Press buttons 2 or 3 to scroll through modes. Press button 1 to choose the desired mode to change. (1 through 9) the chart to the right shows recommended settings.
- C. Press buttons 2 to 3 to adjust selected mode value. The chart to the right shows recommended settings.
- D. Press button 1 to save your settings.
- E. Repeat steps 2 through 4 until all modes have desired settings.
- F. Wait for 15 seconds to allow the unit to auto exit program mode.
- G. Push the button to test operation. Adjust mode settings until you are satisfied.

Recommended Defaults

1. 2.5
2. 0
3. 0
4. 0
5. 0
6. 0
7. 0
8. 0
9. 0





USER GUIDE AND INSTALLATION MANUAL

1 TOUCH ECO WIPER LOW/HIGH CONTROL MODULE

Two Stage Low/High for factory wiper motors.

This diagram is when +12v Low output must turn off when +12v High output is engaged for: GM, Mopar & Ford Wiper kits can have a +12v Positive or -12v Negative input so please see your auto electrician before fitting.

