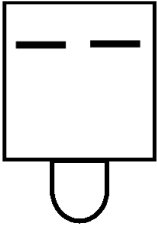
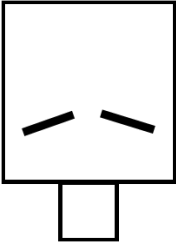
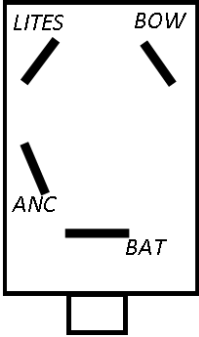




BWA AUTOMOTIVE PULL PUSH SWITCHES

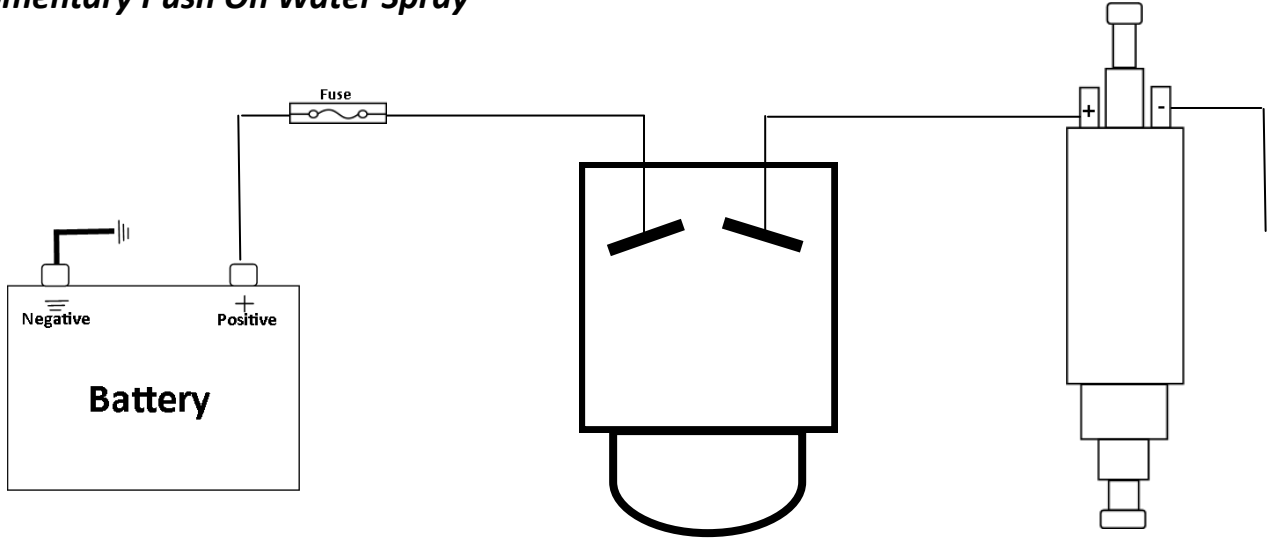
1. Identify the style of Switch on your application in the images below.

<i>Push On/Off</i>	<i>Push/Pull On/Off</i>	<i>Push/Pull On/On/Off</i>	<i>Push/Pull On/On/Off</i>	
				

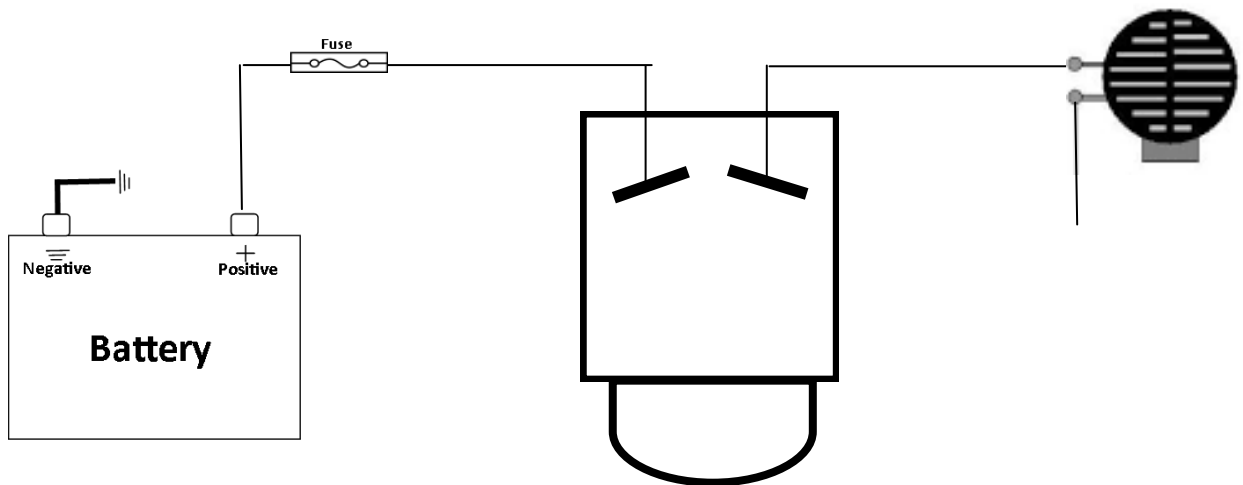
Use 'Normally Open' connections to close circuit when switch is pulled. Use 'Normally Closed' connections to open circuit when button is pressed.

USER GUIDE AND INSTALLATION MANUAL

Momentary Push On Water Spray



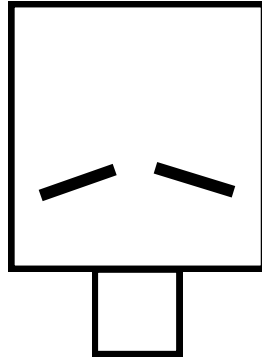
Momentary Push On Horn



Coming Soon

USER GUIDE AND INSTALLATION MANUAL

Latching Push On/Off Spotlights

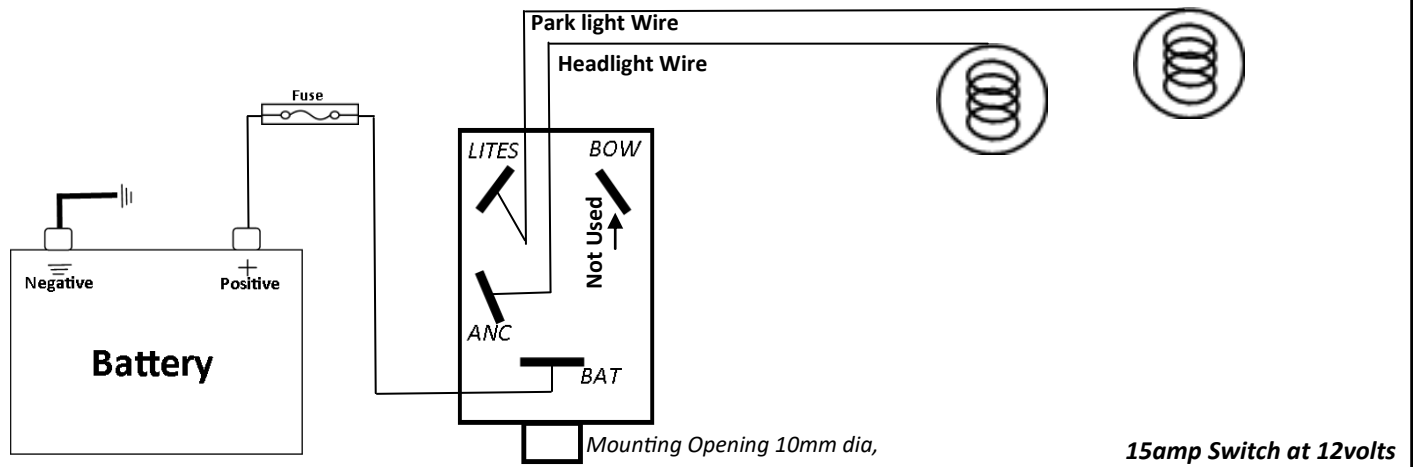


Coming Soon

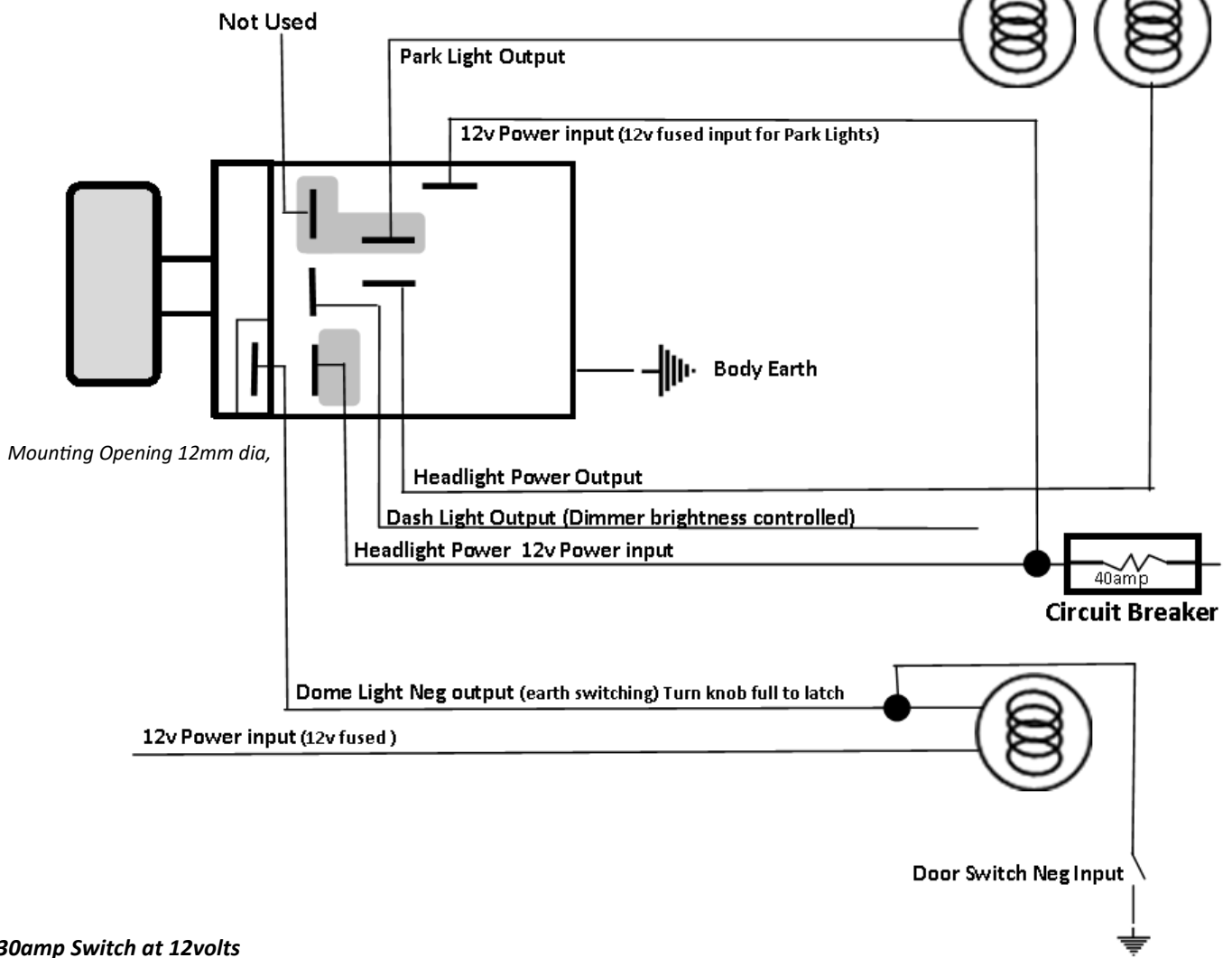
Coming Soon

USER GUIDE AND INSTALLATION MANUAL

Latching Push/Pull - On/On/Off Park Light/Headlight

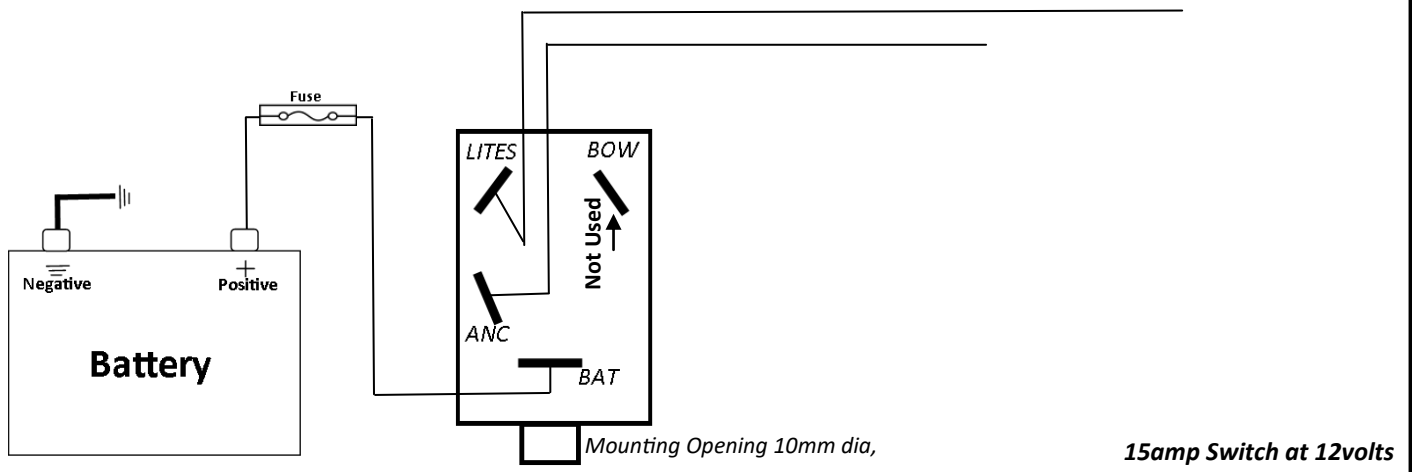


Latching Push/Pull - On/On/Off Park Light/Headlight Ultra Headlight 7pin Switch

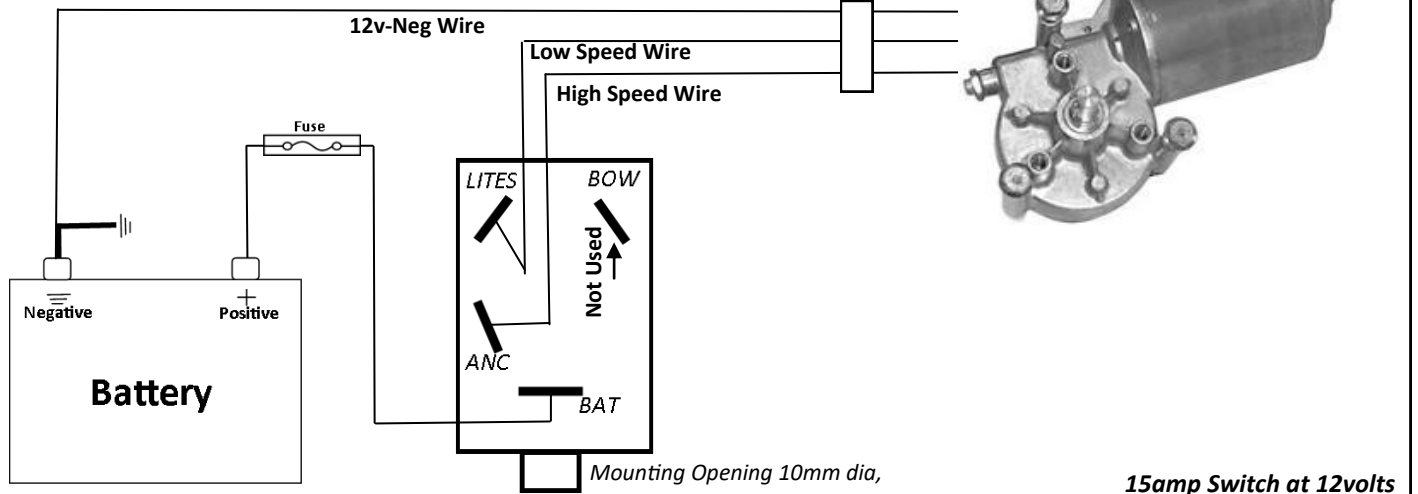


USER GUIDE AND INSTALLATION MANUAL

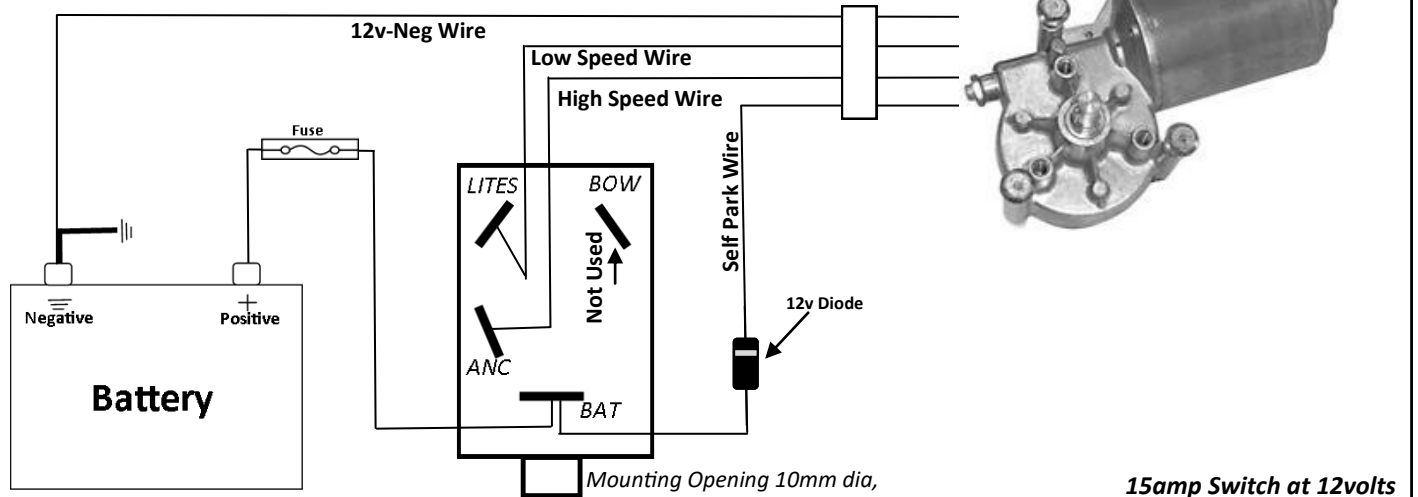
Latching Push/Pull - On/On/Off



Latching Push/Pull - On/On/Off Wiper (12+ Trigger)



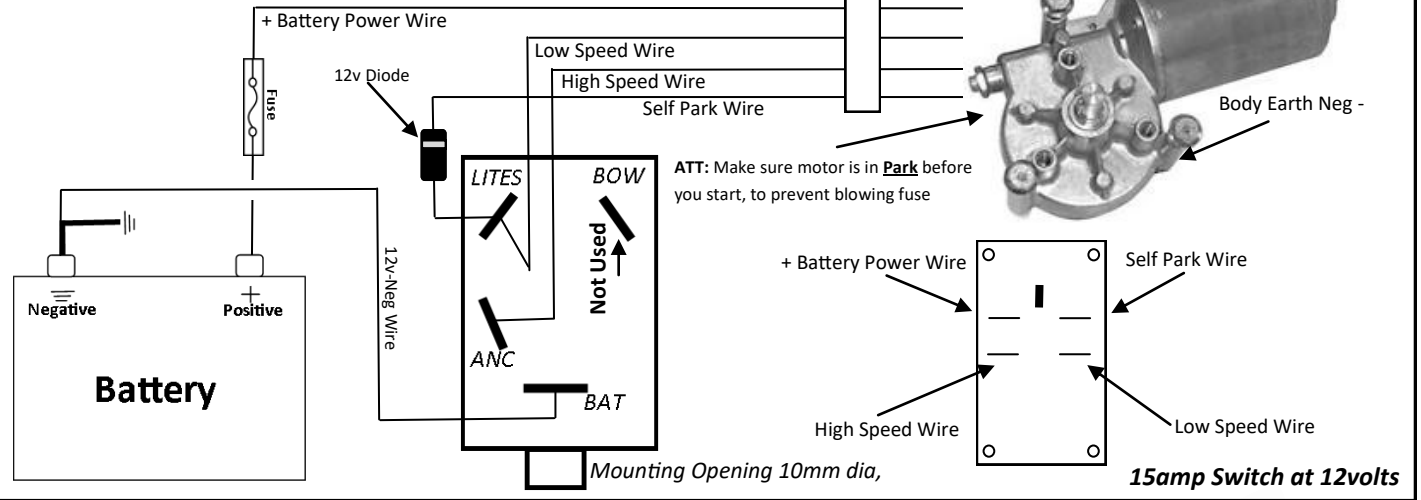
Latching Push/Pull - On/On/Off Wiper with Self Park (12+ Trigger)



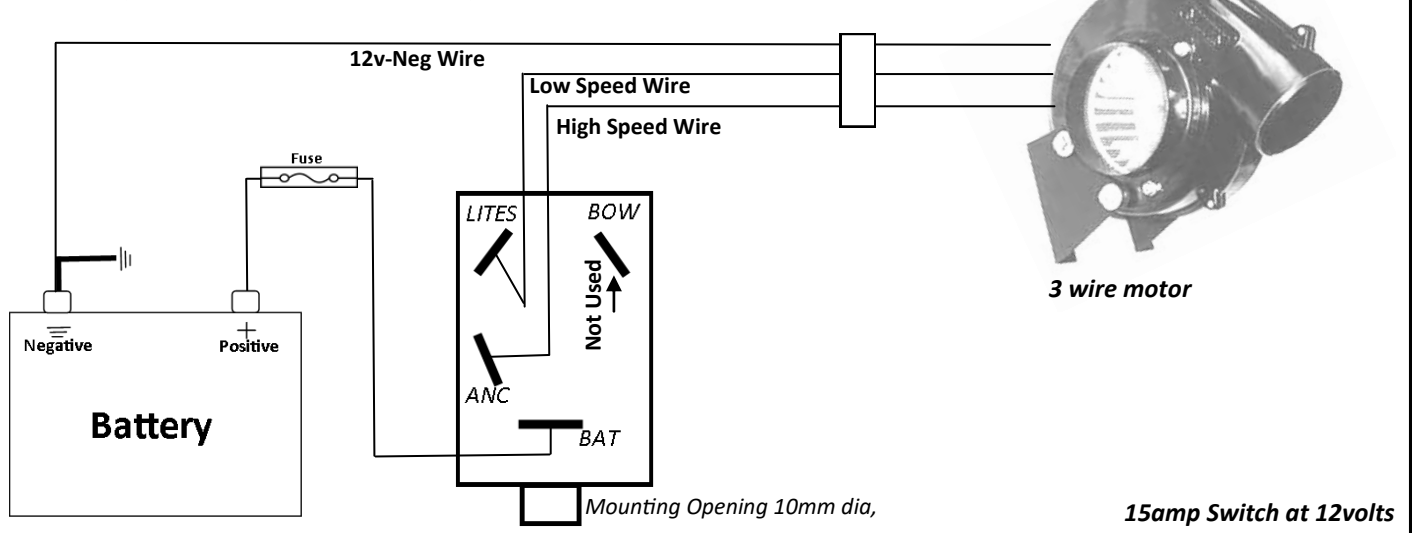
USER GUIDE AND INSTALLATION MANUAL

Holden HQ HJ HX & Torana LH LX UC

Latching Push/Pull - On/On/Off Wiper with Self Park (Neg - Trigger)



Latching Push/Pull - On/On/Off Heater Fan



Latching Push/Pull - On/On/Off Heater Fan with High/Low Speed Module

