

Manual Straw Filling Machine by IMV

Instructions for Assembly and Operation

Your manual straw filling machine is equipped with the following items which are also illustrated in the attached diagram:

- 1 - Suction Pump
- 1 - Suction Flask
- 1 - Bubbler Dish Stand (Stainless Steel)
- 25 - Bubbler Combs, Straw Supports and Disposable Bubbler Dishes
- 1 - Straw Filling Nozzle
- 2 – Flexible Silicone Tubing
- 2 – Straw Clips

Assembly:

A) Suction System

- 1) Remove all items from their packaging
- 2) Take one section of flexible tubing and attach it firmly to the suction pump port indicated on the diagram.
- 3) Attach this same piece of tubing to one of the nipples of the suction flask.
- 4) Take the second piece of flexible tubing and attach one end to the un-occupied nipple of the suction flask.
- 5) Connect the Straw Filling Nozzle to the final open end of the flexible tubing.

B) Bubbler Dish Assembly

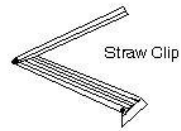
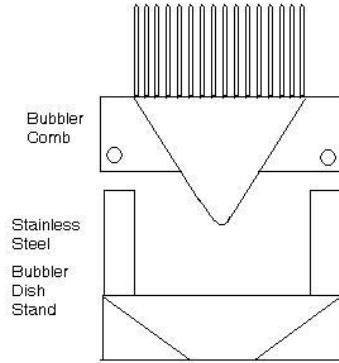
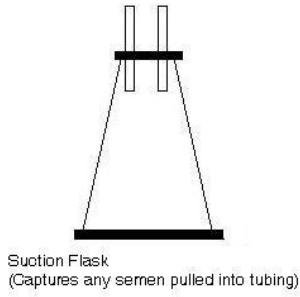
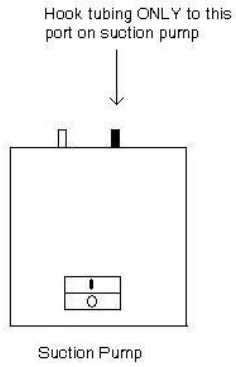
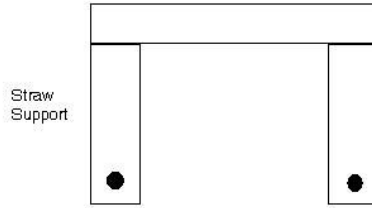
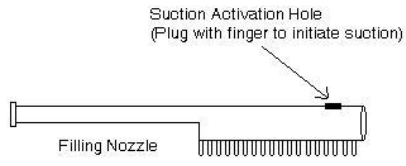
- 1) Remove 1 each of the following (bubbler comb, bubbler dish and straw support)
- 2) Place Bubbler dish into stainless steel bubbler dish stand
- 3) Assemble the bubbler comb and straw support together by placing the round male and female connectors together.
- 4) Slide the joined comb and straw support into the slots of the bubbler dish stand. With the tapered (triangle end) of the comb pointing down into the disposable bubbler dish

C) Operation

- 1) Prepare straws for filling by placing **15 straws** into each of the straw clips and locking the clips closed around the straws
- 2) Attach the end of the straws with the wick and powder plug onto the nipples of the filling nozzle.

- 3) Pour extended semen into disposable bubbler dish
- 4) Turn on suction pump.... Test suction by placing finger over the suction activation hole on the nozzle. You should hear air being drawn up into the straws.
- 5) Gently place open end of straws into extended semen
- 6) Cover the suction activation hole with your index finger to initiate semen uptake
- 7) Fill straws completely, making certain that the wick and powder plug has been thoroughly wetted and seated.
- 8) Release finger off of suction activation hole (capillary pressure will hold semen in straws)
- 9) Align straws with top points of bubbler comb
- 10) Gently push straws over bubbler combs to make desired size air-space.
- 11) Excess semen will be forced out of the straws and run back into the disposable bubbler dish for re-loading.
- 12) Seal the open end of the straw by the following methods:
 - a) Heat Impulse Sealer
 - b) PVC Powder

Repeat Steps 1-12 until no semen is left in the disposable bubbler dish.



Manual Straw Filling Machine
For more information, Please call Agtech
(800)-367-4016