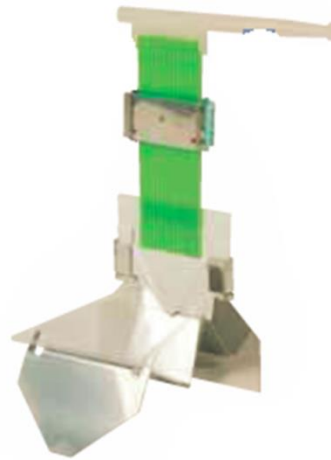


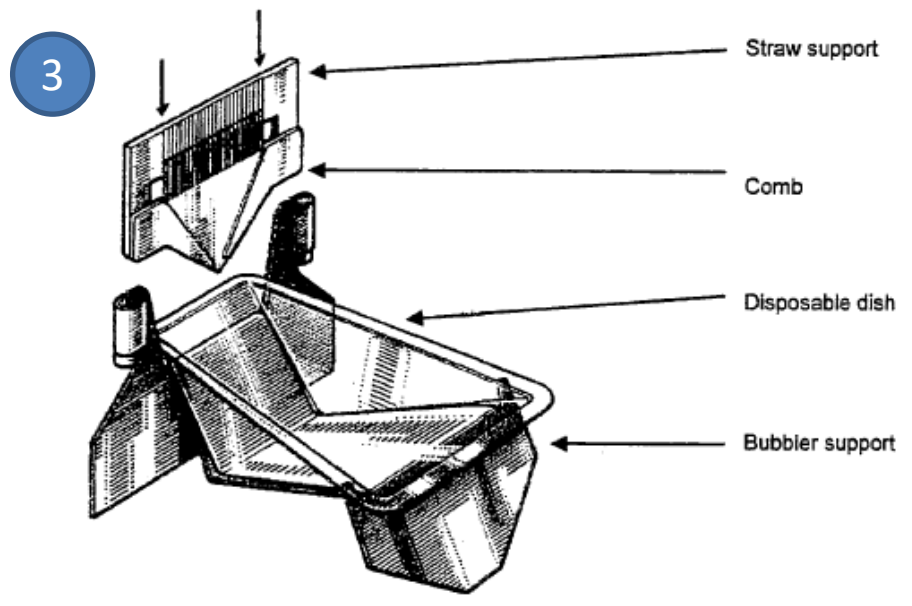
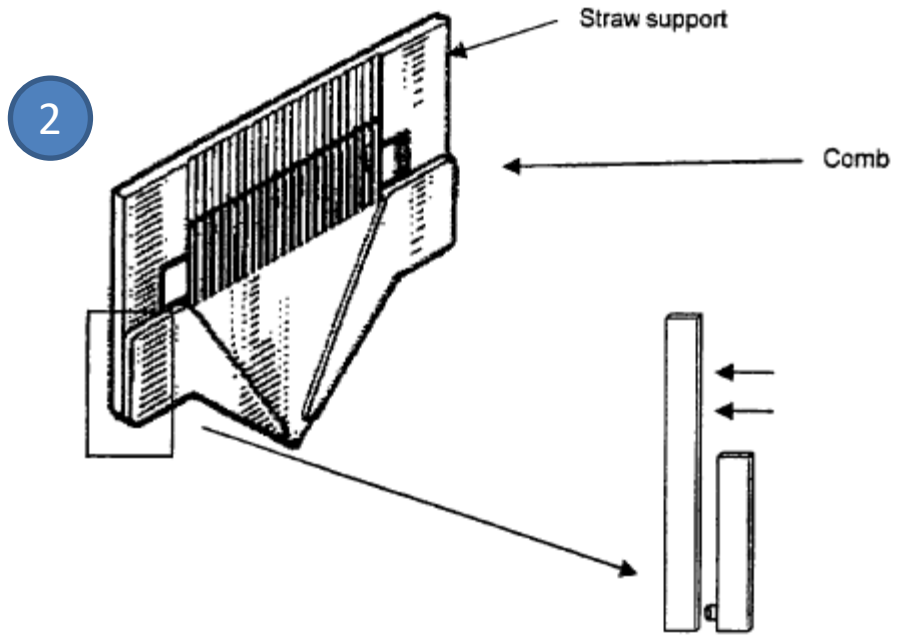
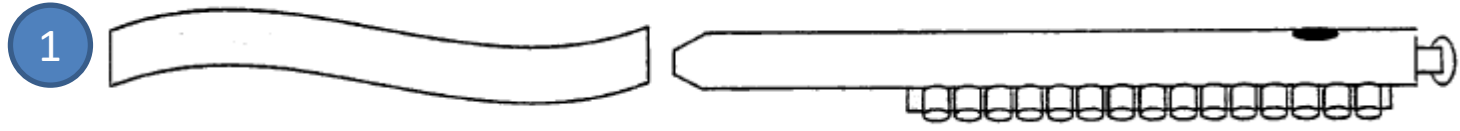


Manual Filling & Sealing



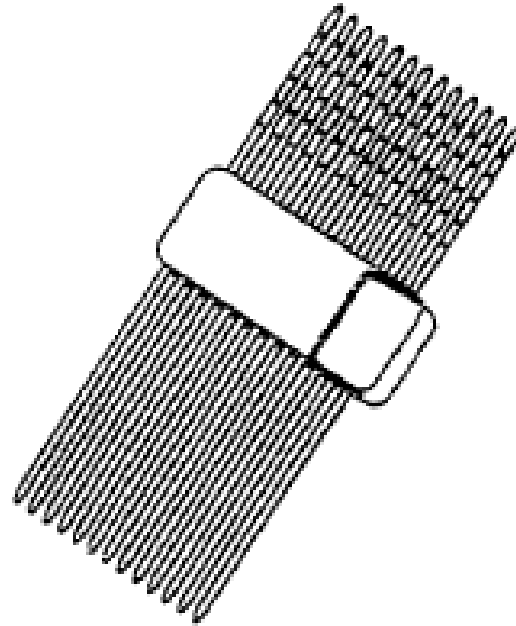


Filling Station Assembly



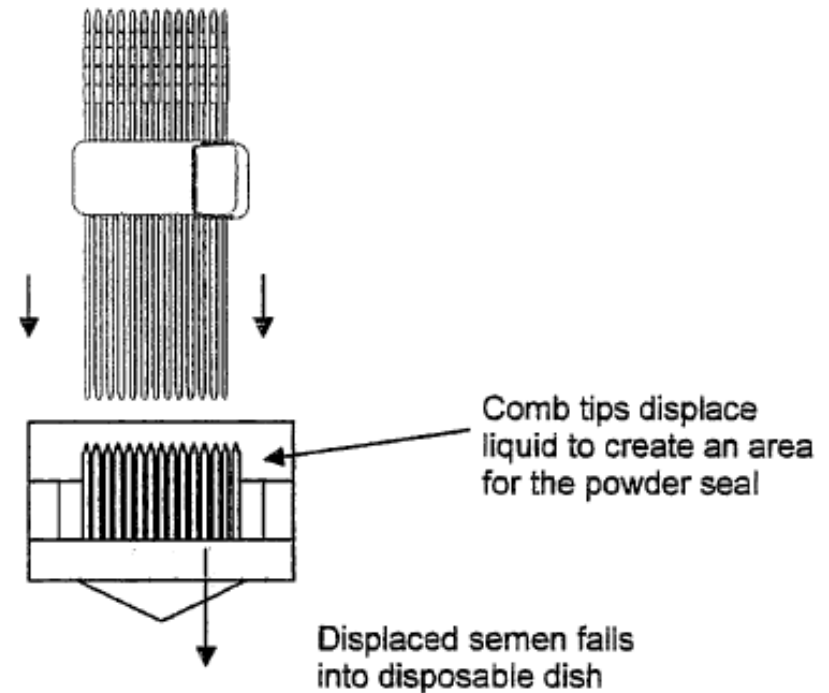
Preparation

1. Have the desired amount of straws to fill in clip
2. Prepare sealing powder for use by extending the powder to a thickness of a third of an inch on a completely flat surface
3. Place disposable dish on the bubbler support
4. Connect clipped straws to filling nozzles with plugs closest to nozzle
5. Place small volume of diluted ejaculate in disposable dish
6. Turn pump on



Filling Straws

1. Insert unplugged end of straws in ejaculate, making sure to hold the straws horizontally over the liquid. Avoid allowing bubbles to form.
2. Allow liquid to reach the base of the first cotton plug. To pull liquid through the plug, place finger over the hole to create an increased vacuum pull. Continue to pull liquid through the first cotton plug, the PVC powder and through 1/16 of an inch up the second plug.
3. Disconnect straws from filling nozzle and stop the pump.
4. Displace liquid on the tip of the unplugged end by inserting the filled straws into the comb.
5. Take straws out of comb and tap vertically on a flat surface to eliminate remaining excess liquid.



Sealing Straws

1. Plug straws with sealing powder by firmly pressing straws over the sealing powder. Make sure the plug is at least a quarter of an inch in length.

