



# STA SERIES

## LED Explosion Proof Area/Flood Light



STA1



STA2



STA3

### Key Features:

- 0-10V Dimming control.
- Product shell is ADC12
- Heavy-duty and high impact resistance.
- Impact Protection Rating: IK09
- Waterproof and dust-proof.
- LED Lifespan: 50,000 hours
- Multiple beam angle options.
- Low temperature applications to -40°C (-40°F).
- High temperature up to 60°C (140°F).
- 5 YR warranty

### Certifications:

- Marking UL844 (North American)
- Class I, Division 2, Groups A, B, C, D
- Class II, Division 1, Groups E, F, G
- Class II, Division 2, Groups F, G
- Class III
- Marine Marking
- UL 1598, UL1598A
- IP66/IP67

### Standard Materials:

- Body: ADC12 aluminum
- Lens: Tempered glass
- Surface: Explosion proof joint surface

### Technical Data:



Product SKU	Watt	Working Temperature	Voltage	Lumens (lm)	Efficacy (lm/W)	CRI	CCT
JLX-xxW STA1YZD	200-250W	-40°C to 60°C	AC90-305V/ AC277-480V/ AV180-528V	24,000-35,000	120-140	>70	2700K- 7000K
JLX-xxW STA2YZD	10-150W		50/60Hz	1,200-21,000			
JLX-xxW STA3YZD	10-150W		AC90-305V/ AC277-480V 50/60Hz	1,200-21,000			

### Catalog SKU:

<b>JLX</b>	<b>xxxW</b>	-	<b>STAx</b>	<b>Y</b>	<b>Z</b>	<b>D</b>	1. Product Category: Explosion Proof
<b>1.</b>	<b>2.</b>	<b>3.</b>	<b>4.</b>	<b>5.</b>	<b>6.</b>		2. Wattage: 200-250W/10-150W/10-35W/40-70W/80-140W
							3. Product Series: STA1,STA2,STA3
							4. Sensor Options:
							5. CCT: 27=2700K,....,70=7000K
							6. Beam Angle: D40=40°; D60=60°; D90=90°; D120=120°



# STA SERIES

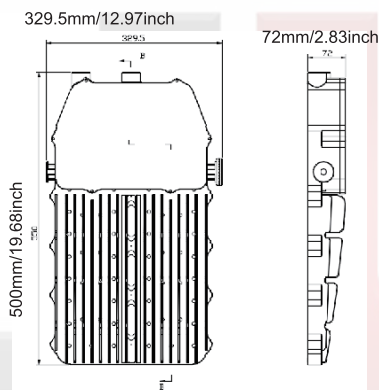
## LED Explosion Proof Area/Flood Light

### Packing Information:

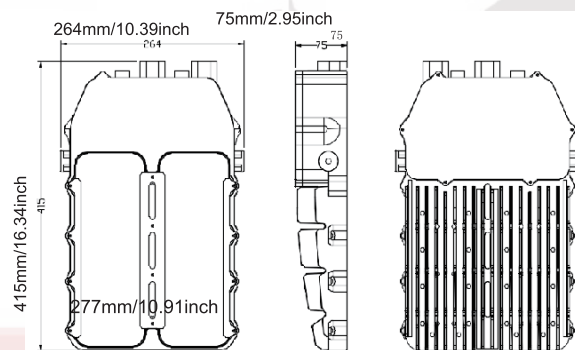
Series	Quantity/ Carton	Packing Size (inch)	Net Weight	Gross Weight
STA1	1 pc	19.7" x 13" x 2.8"	20.94 lbs	23.15 lbs
STA2	1 pc	16.3" x 10.4" x 3"	14.33 lbs	16.53 lbs
STA3	1 pc	17.1" x 11" x 3.5"	16.09 lbs	18.3 lbs

### Dimensions:

STA1 Series



STA2 Series



STA3 Series

