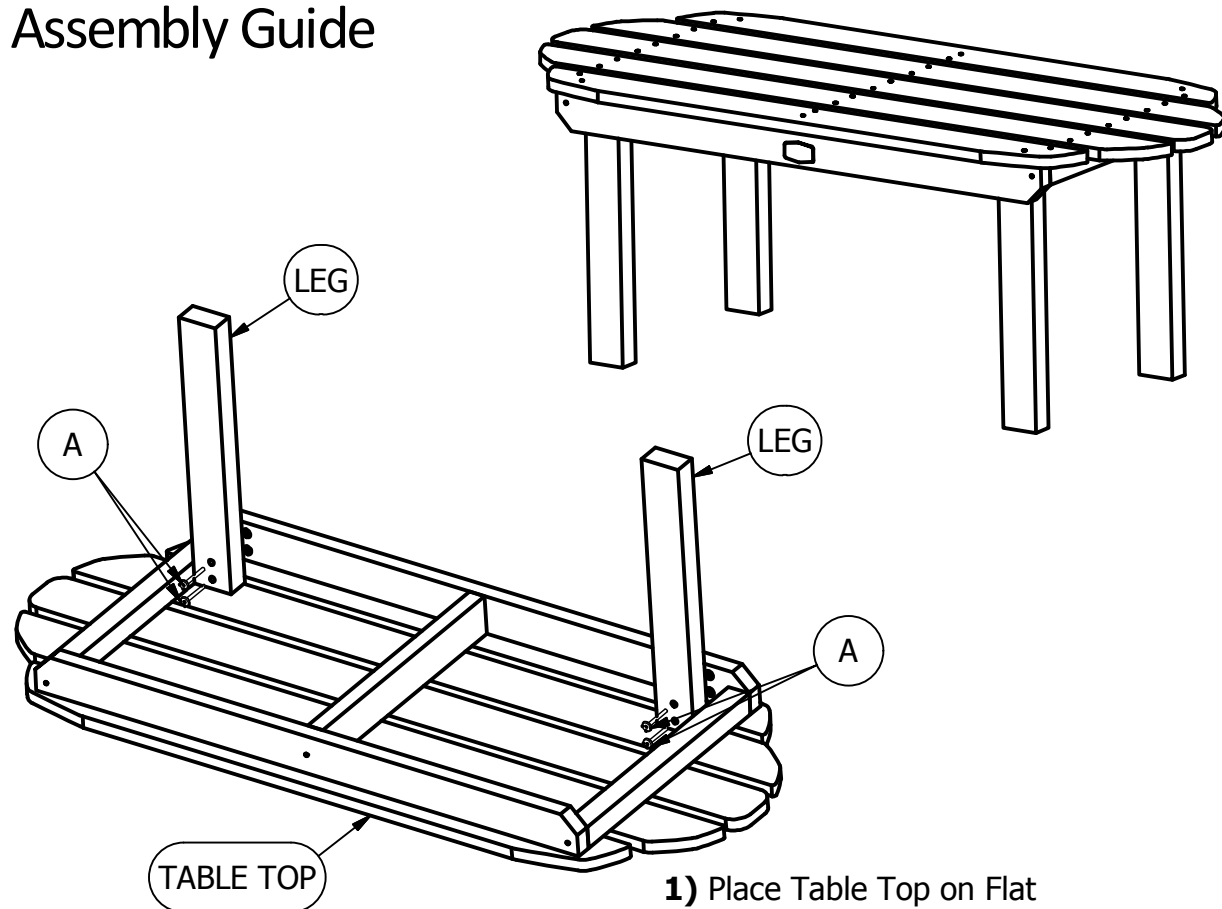


# Mountain Bluff Collection

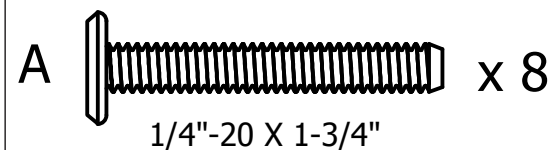
## Essential Adirondack Conversation Table

### Assembly Guide



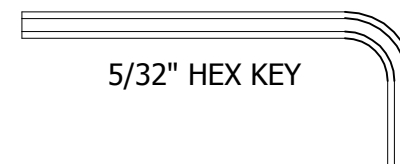
- 1)** Place Table Top on Flat Surface with Top Facing Down As Shown.
- 2)** Attach Legs to One Side of Table Using (2) "A" Bolts in Each Leg as Shown.
- 3)** Repeat Step 2 on Other Side of Table.

#### HARDWARE



**IMPORTANT!**  
DO NOT fully tighten the bolts until all bolts are started. Once all bolts are inserted, go back & tighten all the bolts.  
Retain these instructions for future reference

#### INCLUDED TOOLS



ELK OUTDOORS  
by **highwood**<sup>®</sup>

For information on Care and Cleaning or to register your ELK OUTDOORS product by *highwood*<sup>®</sup>, please visit [www.highwood-usa.com](http://www.highwood-usa.com).

TBL-CW4  
09.05.18

PAGE 1 OF 1