

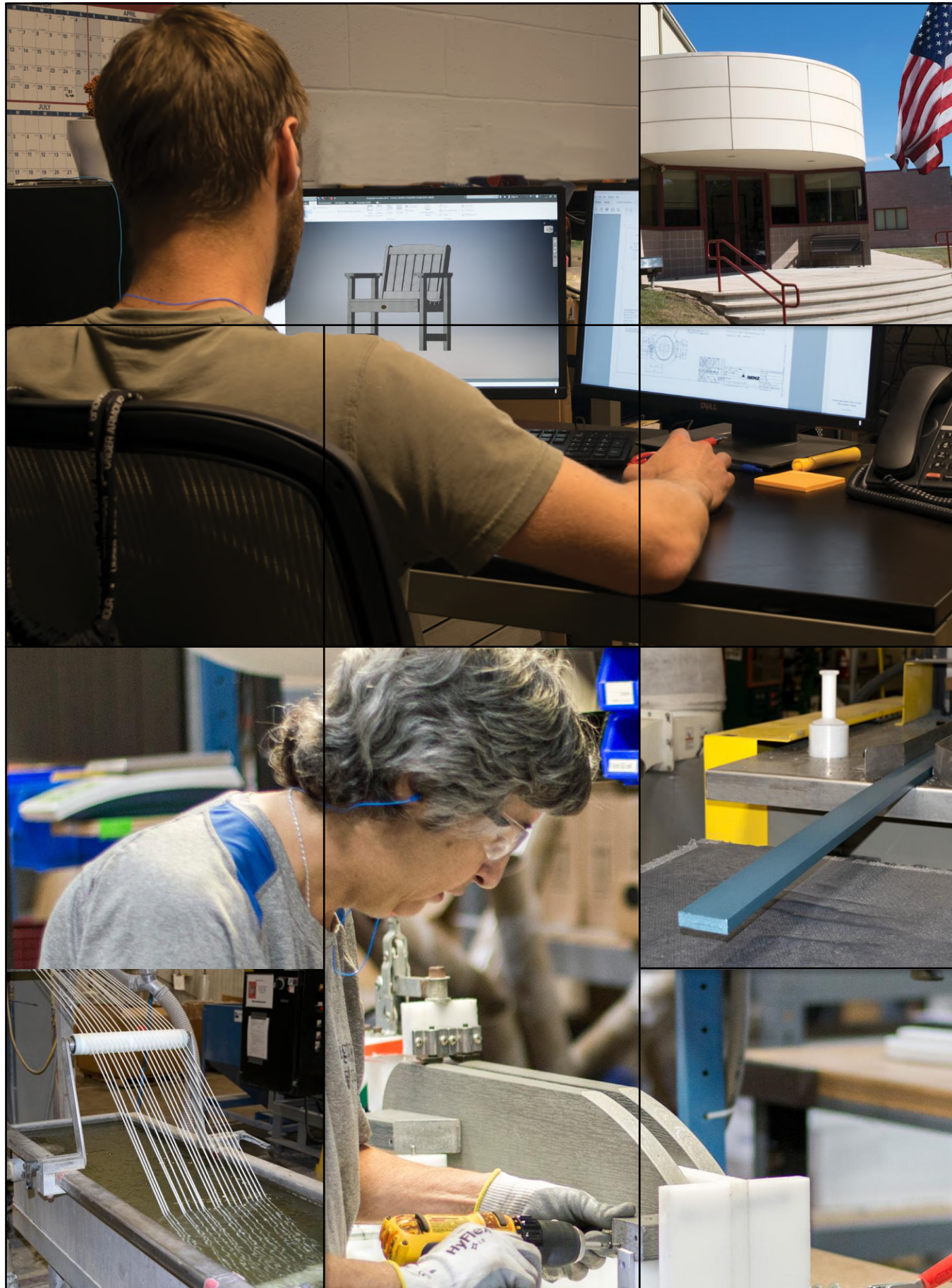


Commercial Grade  
**OUTDOOR FURNITURE**



Natural Beauty. Exceptional Performance.





## About our company.

Since 2003, Highwood USA's proprietary synthetic wood has been hailed as the best looking wood replacement on the market. It provides years of worry-free performance with minimal maintenance in every climate. Where natural wood falters, our material excels and this has made our products especially popular for high traffic areas and challenging environments where moisture and/or temperature extremes are found.

Today, we continue to innovate and are a leading OEM material and systems supplier for cabinets in the spa/hot tub industry and to major building projects around the world. We manufacture our own residential furniture brands from these same durable materials and we now proudly introduce the Sequoia Professional line of outdoor furniture, delivering natural beauty and exceptional performance.

## Driven by design. Engineered to perform.

With two facilities in northeastern PA, totaling almost a quarter of a million square feet, our Sequoia products are 100% "Made in the USA". Designed with both beauty and function in mind, Sequoia products give any space an elegant look and will keep that beauty through rain and shine with minimal maintenance.

This professional line of outdoor furniture is designed and manufactured to withstand high volume use. All of our furniture is load tested, per ASTM standards for Outdoor plastic furniture. Most products are conveniently flat packed for shipping and some (simple) assembly is required.

Whatever your outdoor furniture or material needs, we welcome your call and look forward to helping make your project a reality.



# 12 reasons why Sequoia is the perfect choice for your high-traffic environment



## Beautiful

8 out of 10 surveyed prefer our material vs other faux-wood.



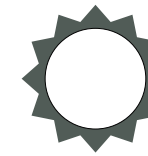
## Durable

Proven performance in the harshest climates and environments.



## Theme Park Approved

The #1 wood alternative for America's world-famous theme parks.



## UV Fade Resistant

Extremely stable colors resist weathering.



## Low Maintenance

No painting, staining or expensive upkeep... just power-wash and go.



## Designed for High-traffic

Sequoia is designed for beauty but built for heavy-use.



## Sustainable

Contains recycled material, no chemicals or staining needed, produced with solar energy.



## 100% Made in the USA

We proudly stand behind our product quality.



## Commercial Grade Warranty

3-year commercial/20-year residential limited warranty.



## Hardware

Built with 304-grade stainless for corrosion resistance.



## Tested for Performance

ASTM load testing on all our seating.



## Moisture Resistant

Can be used in spa, pool and dock areas without worry.





Shown in Weathered Acorn

## The Springville Lounge Chair

This simple chair is extremely popular because it is one of our most flexible seating options being equally at home in entrance areas, the lobby, dining spots, waiting rooms or around a pool. The classic styling and stance is enhanced by a generous seat for comfort.



CM-CHGSQ01





Shown in Weathered Acorn

## The Glenville Lounge Chair

This Glenville Lounge Chair is a little more casually styled, but offers the same comfort and flexibility of our Springville chair.

Available in the same appealing range of colors, these chairs really do marry into any indoor or outdoor décor.



CM-CHGSQ02



## The Weldon Backless Bench

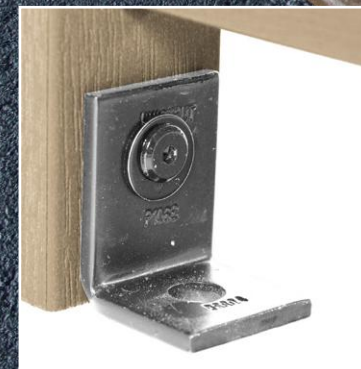
Simple and timeless in design, the Weldon is available in 4 and 6-foot options in a range of wood-tone colors. This item is supplied with hardware to connect anchoring brackets to the legs, allowing you to bolt the product to the ground.



CM-BENSQ41



CM-BENSQ61







Shown in Dried Sage



Counter Height  
CM-ST3SQC1



Dining Height  
CM-ST3SQD1

## Adirondack Muskoka Bistro Set

This Muskoka Adirondack 3-piece Bistro Set is available in both dining and counter heights and comes in a range of wood-tone colors that will complement any decor. With a 36" diameter table, it is perfect for restaurants, casual dining or snack areas. These durable and impressive sets allow you to create a well-balanced seating area catering to couples or groups.





Shown in Coastal Teak



Dining Height  
CM-ST5SQD1

## Adirondack Muskoka Dining Set

This 5-piece dining set comes with a larger 48" diameter table than its baby "Bistro Set" brother and is also available in both dining and counter height options. This product can be left in place year-round through sun, rain, and snow. Maintenance is a breeze... just power wash on a wide or medium nozzle to remove surface grime and it will always look like new.



Counter Height  
CM-ST5SQC1



## The National Picnic Table

This is the perfect year-round table that can be left in the elements and will provide trouble-free service year after year.

No more wood splinters or maintenance headaches — this table has comfortable seating and a well-built, sturdy feel that is as durable as it is beautiful. Perfect for parks, restaurants, rest area, or employee seating.



CM-TBLSQ36







Shown in Coastal Teak

## The Pinehurst Chaise Lounge

The Pinehurst Chaise Lounge combines sleek styling, comfort and durability. This is an impressive chaise that enhances the look of any pool or relaxation area. The five-point adjustable backrest offers the user complete control over their elevation.



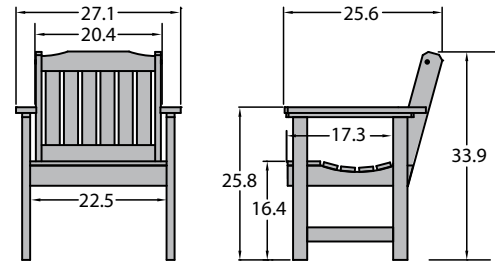
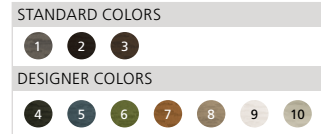
CM-LNGSQ61





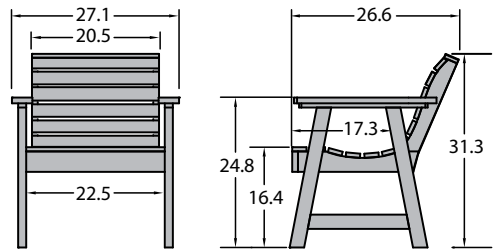
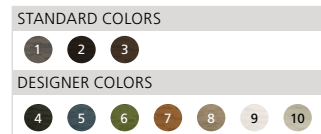
## The SPRINGVILLE Lounge Chair

Item #CM-CHGSQ01  
 Assembled Weight: 28 lbs.  
 Weight Capacity: 500 lbs.



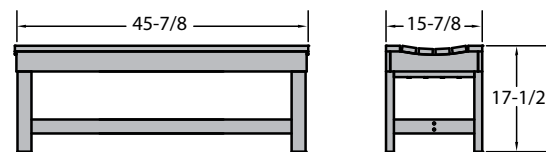
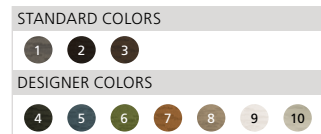
## The GLENVILLE Lounge Chair

Item #CM-CHGSQ02  
 Assembled Weight: 28 lbs.  
 Weight Capacity: 500 lbs.



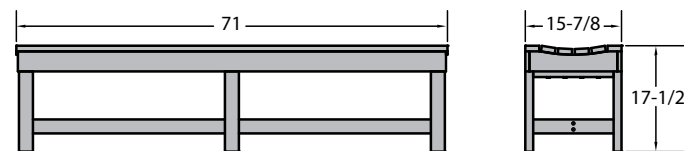
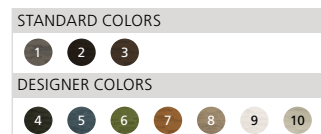
## The WELDON Backless Bench (4 ft)

Item #CM-BENSQ41  
 Assembled Weight: 44 lbs.  
 Weight Capacity: 500 lbs.



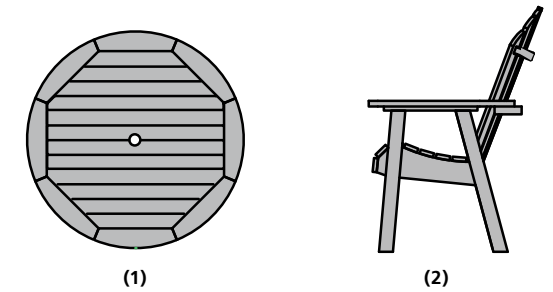
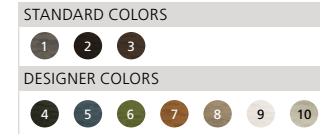
## The WELDON Backless Bench (6 ft)

Item #CM-BENSQ61  
 Assembled Weight: 66 lbs.  
 Weight Capacity: 500 lbs.



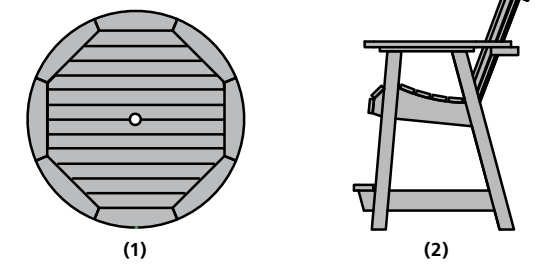
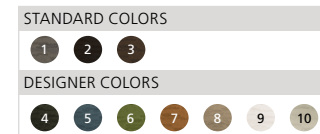
## The MUSKOKA Adirondack 3-Piece Bistro Set

Item #CM-ST3SQD1  
 Assembled Weight: 110.5 lbs.  
 Chair Weight Capacity: 500 lbs.



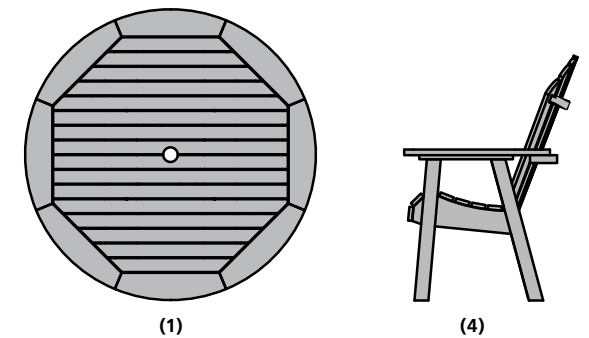
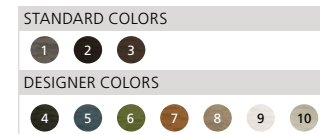
## The MUSKOKA Adirondack 3-Piece Bistro Set

Item #CM-ST3SQ1  
 Assembled Weight: 130 lbs.  
 Chair Weight Capacity: 500 lbs.



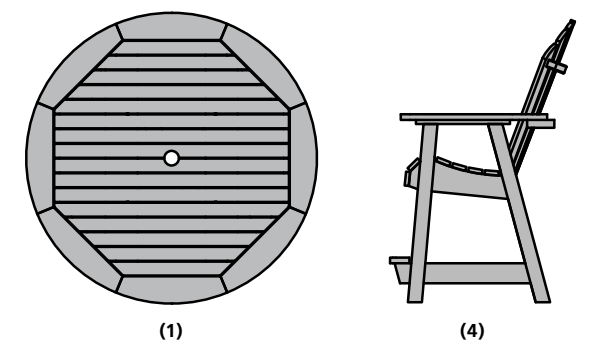
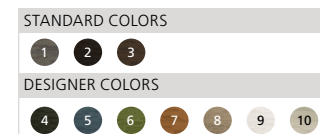
## The MUSKOKA Adirondack 5-Piece Dining Set

Item #CM-ST5SQD1  
 Assembled Weight: 191.5 lbs.  
 Chair Weight Capacity: 500 lbs.



## The MUSKOKA Adirondack 5-Piece Dining Set

Item #CM-ST5SQ1  
 Assembled Weight: 227 lbs.  
 Chair Weight Capacity: 500 lbs.



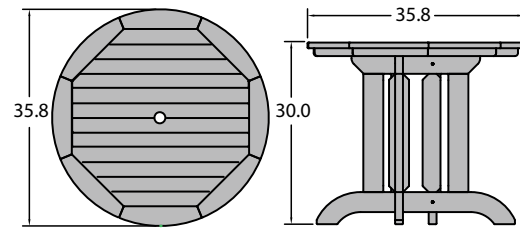
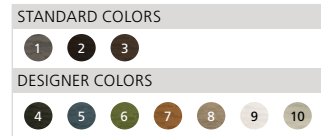
See measurements on pp. 26-27.



# DINING SEPARATES

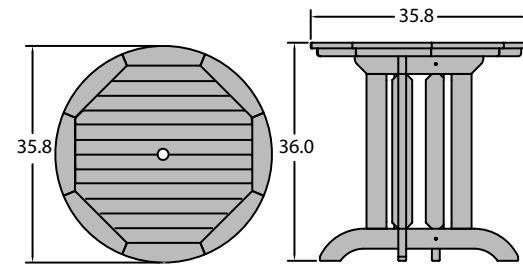
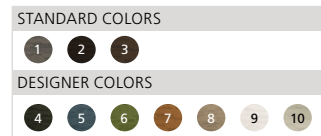
## The MUSKOKA Adirondack Bistro Table (Dining Height)

Item #CM-DTRSQ36  
Assembled Weight: 54.5 lbs.



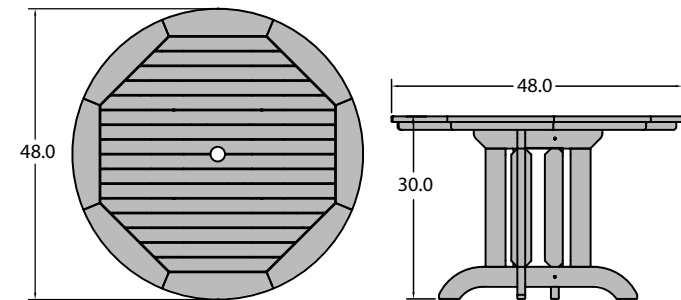
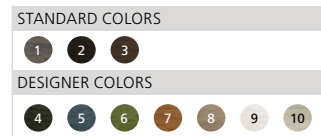
## The MUSKOKA Adirondack Bistro Table (Counter Height)

Item #CM-CTRSQ36  
Assembled Weight: 58 lbs.



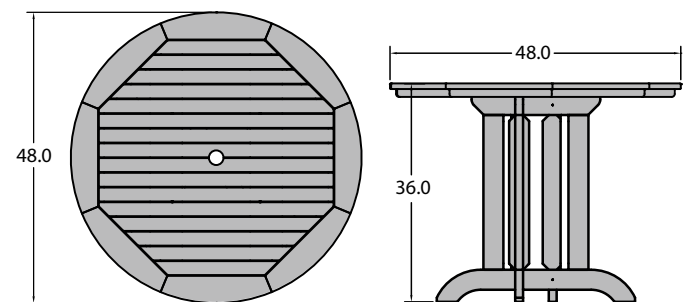
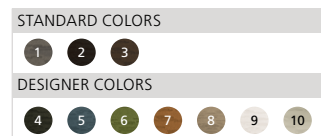
## The MUSKOKA Adirondack Dining Table (Dining Height)

Item #CM-DTRSQ48  
Assembled Weight: 79.5 lbs.



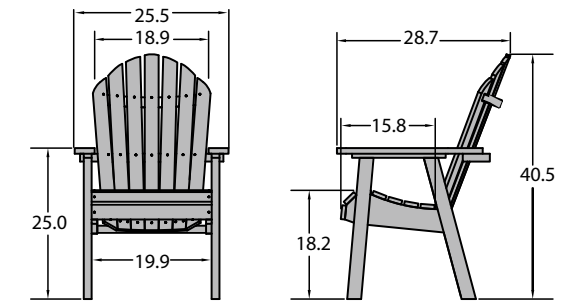
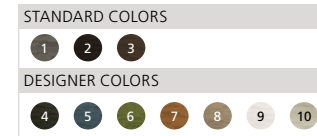
## The MUSKOKA Adirondack Dining Table (Counter Height)

Item #CM-CTRSQ48  
Assembled Weight: 83 lbs.



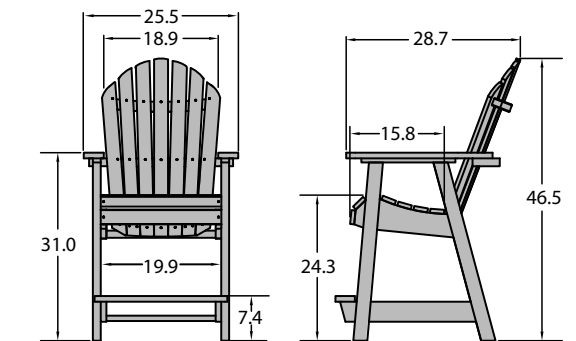
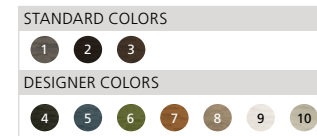
## The MUSKOKA Adirondack Deck Dining Chair (Dining Height)

Item #CM-CHRSQD2  
Assembled Weight: 28 lbs.  
Weight Capacity: 500 lbs.



## The MUSKOKA Adirondack Deck Dining Chair (Counter Height)

Item #CM-ST35QC1  
Assembled Weight: 36 lbs.  
Weight Capacity: 500 lbs.

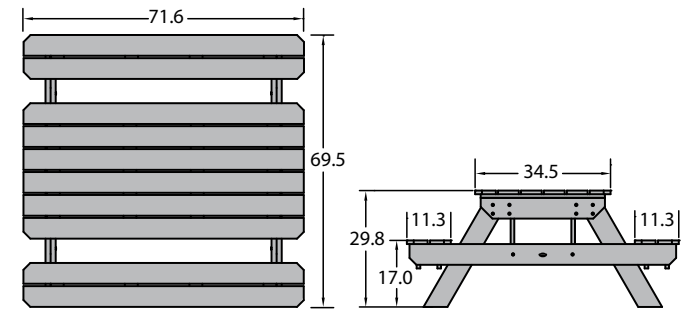




**The NATIONAL Picnic Table**

Item #CM-TBLSQ36  
 Assembled Weight: 177.5 lbs  
 Weight Capacity: 500 lbs.

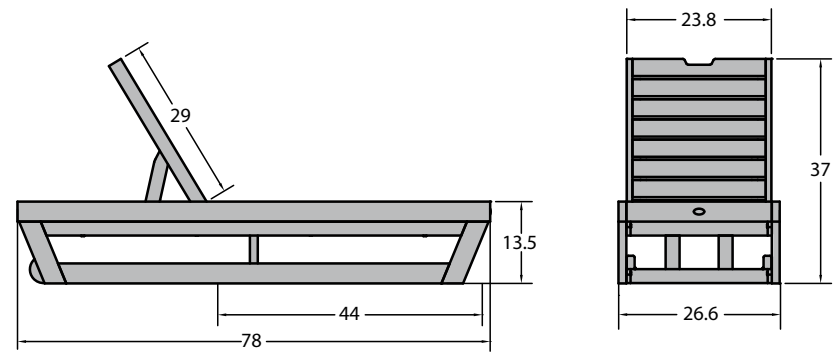
- STANDARD COLORS
  - 3
- DESIGNER COLORS
  - 11



**The PINEHURST Chaise Lounge**

Item #CM-CTRSQ36  
 Assembled Weight: 105 lbs.  
 Weight Capacity: 400 lbs.

- STANDARD COLORS
  - 1
  - 2
  - 3
- DESIGNER COLORS
  - 7
  - 8
  - 9



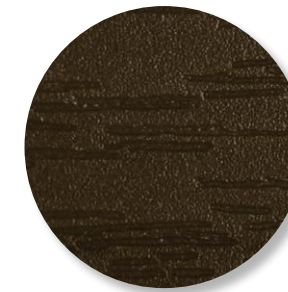
**Standard Colors**



Black (1)

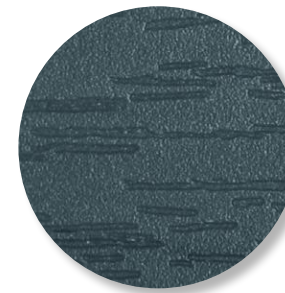


Coastal Teak (2)

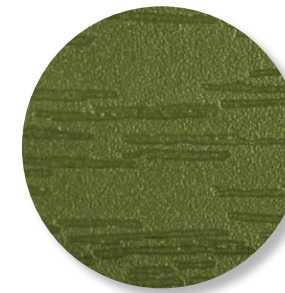


Weathered Acorn (3)

**Designer (Special Order) Colors**



Nantucket Blue (5)



Dried Sage (6)



Toffee (7)



Tuscon Taupe (8)



White (9)



Whitewash (10)



Saddle (11)

**Find your perfect color!**  
 FREE color swatches available.  
[highwood-usa.com/request-product-swatches](http://highwood-usa.com/request-product-swatches)





87 Tide Road, Hometown, PA 18252  
570-225-7501  
Email: [inquiries@highwood-usa.com](mailto:inquiries@highwood-usa.com)

[www.sequoiaprofurniture.com](http://www.sequoiaprofurniture.com)



Colors are shown to the best of our ability but due to variation in computer monitors and printing inks we cannot guarantee perfect reproduction in this brochure. Color samples are available on request. Highwood USA, LLC. reserves the right to change, replace or discontinue any products, color or components shown in this brochure at any time in the interest of product development. *highwood*® is a registered trademark. All rights reserved. © 2019

