

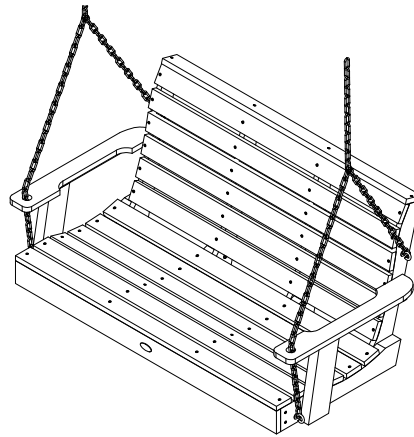
Riverside Porch Swing

Assembly Guide

Scan for
Assembly
Video!

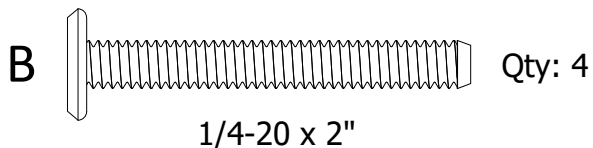
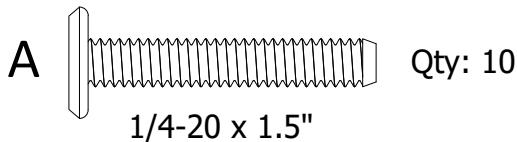


BV-PORR1
BV-PORR2



*Actual Style May Vary from
the One Pictured in this Guide

HARDWARE INCLUDED



- ** Chain Attachment Kit**
- 5/16-18 x 2" Eyebolt - Qty: 4
 - 5/16-18 Nylon Lock Nut - Qty: 4
 - 5/16 Flat Washer - Qty: 4
 - Long Chain - Qty: 2
 - Short Chain - Qty: 2
 - Chain Link Connector - Qty: 2

TOOLS INCLUDED

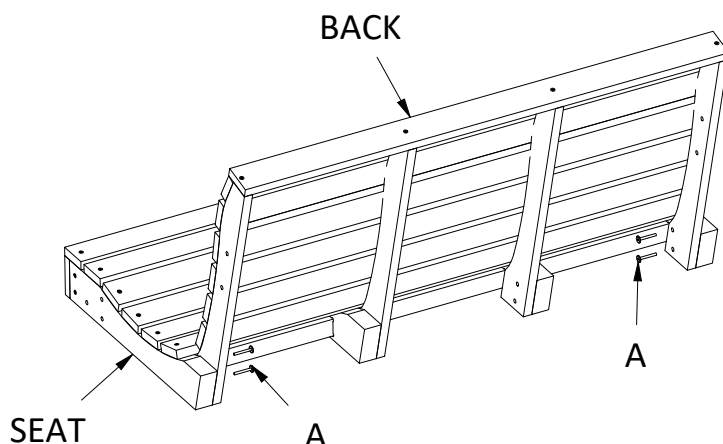


CUSTOMER SUPPLIED TOOLS

1/2" or 13mm Wrench/Socket

IMPORTANT!

DO NOT fully tighten bolts until all bolts are started.



STEP 1 BACK OUTER

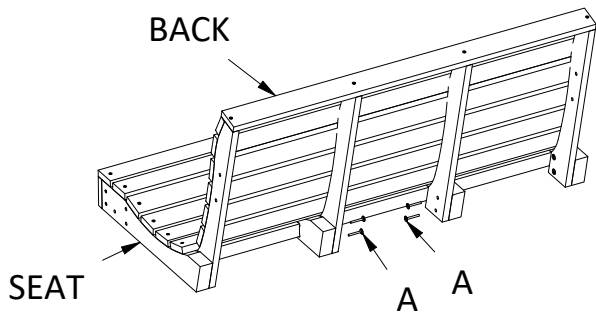
Attach Back to Seat using
(2) A Bolts on each side.



For information on Care and Cleaning or to Register your
Bahia Verde™ product, please visit www.bahiaverdeoutdoors.com.

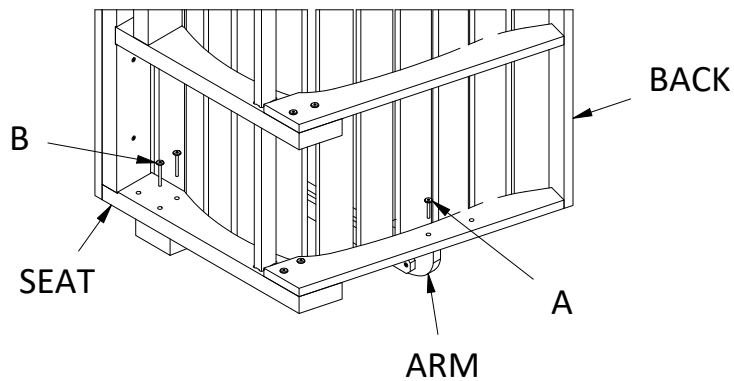
HDK-0072

02.21.2023



STEP 2 BACK INNER

Attach Back to Seat using (2) A bolts on each side.

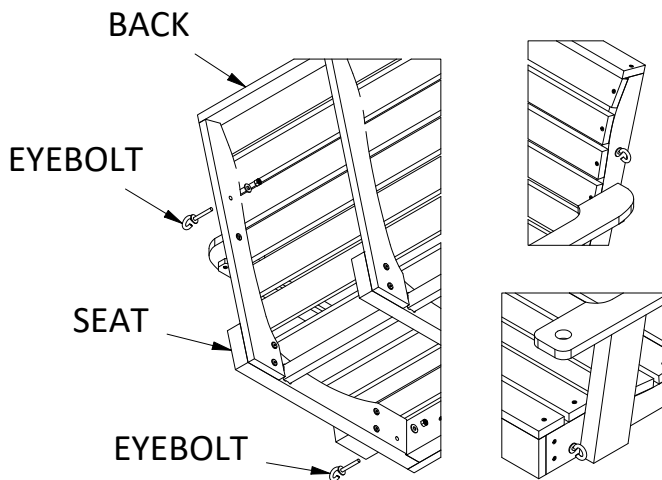


STEPS 3-4-5 ARMS

Attach Arm to Back using (1) A Bolt.

Attach Arm to Seat using (2) B Bolts.

Repeat on other Side.

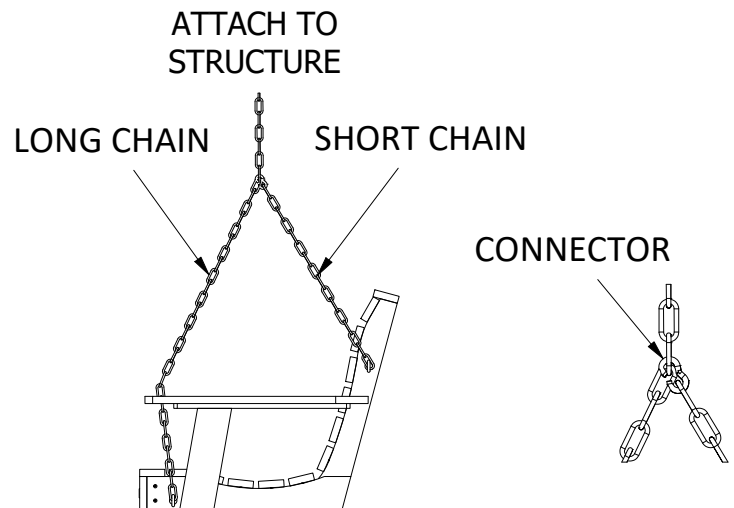


STEP 6-7-8 CHAIN BOLT

Attach Eyebolt to Back.
Insert bolt through Back, attach washer and nut on inside of back.
Align Eyebolt as shown and tighten.

Attach Eyebolt to Seat.
Insert bolt through Seat, attach washer and nut on inside of Seat.
Align Eyebolt as shown and tighten.

Repeat on other side.



STEP 9-10-11-12 CHAIN ATTACHMENT

Attach Short Chain to back Eyebolt, attach Chain Link Connector to other end of chain.

Attach Long Chain to seat Eyebolt, guide chain through hole in Arm and attach to other end of Chain Link Connector so that arm is level as shown.

Repeat on other side.

Attach ends of Long Chain to structure.