

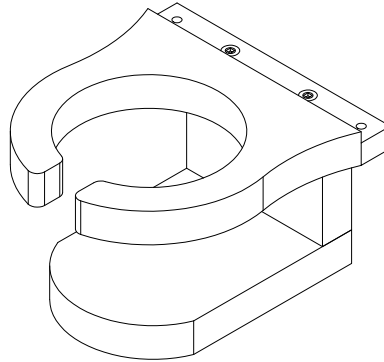
# Easy Add Cup Holder

## Assembly Guide

Scan for  
Assembly  
Video!

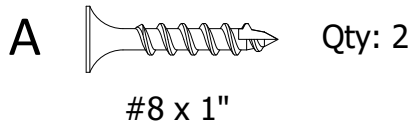


BV-CUPH1

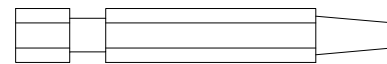


\*Actual Style May Vary from  
the One Pictured in this Guide

### HARDWARE INCLUDED



### TOOLS INCLUDED



#2 SQUARE BIT

### CUSTOMER SUPPLIED TOOLS

Cordless screwdriver/drill OR  
Multi-bit handle for the Square Bit

### IMPORTANT!

DO NOT fully tighten bolts until all bolts are started.

### STEP 1

With the chair turned over, attach the Cup Holder to the Arm of the Chair using (2) A screws.

(The Cup Holder can be installed on either arm.)

