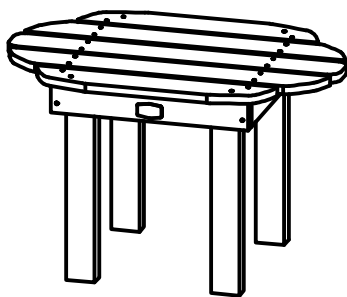


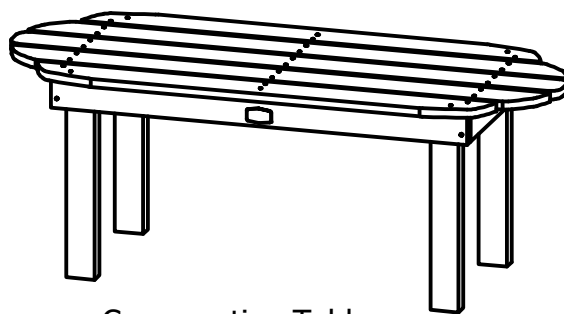
Mountain Bluff Collection

Essential Adirondack Conversation/Side Table

Assembly Guide



Side Table

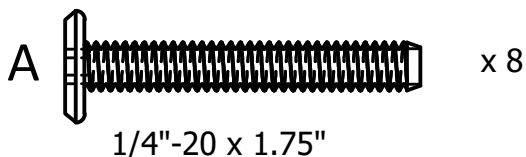


Conversation Table

IMPORTANT!

DO NOT fully tighten the bolts until all bolts are started.
Once all bolts are inserted, go back & tighten all the bolts.

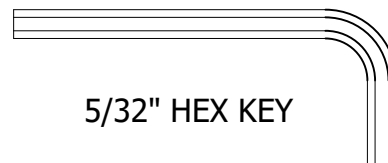
HARDWARE INCLUDED



1/4"-20 x 1.75"

x 8

TOOLS INCLUDED

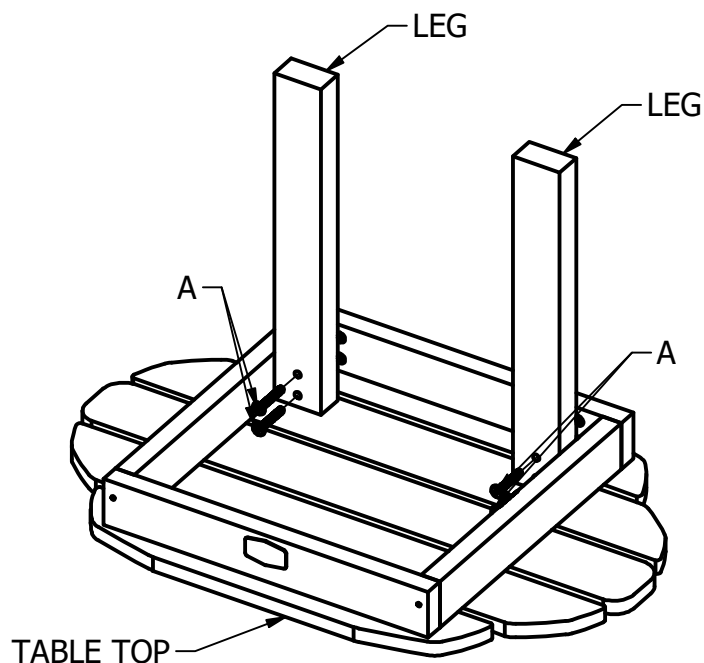


5/32" HEX KEY

1) Place Table Top on flat surface with Top facing down as shown.

2) Attach Legs to one side of Table using (2) "A" Bolts in each Leg as shown.

3) Repeat Step 2 on other side of Table.



ELK OUTDOORS
by **highwood**

For information on Care and Cleaning or to Register your ELK OUTDOORS by *highwood*[®] product, please visit www.highwood-usa.com.

EO-TBL-CW2/CW4
03.22.21

PAGE 1 OF 1