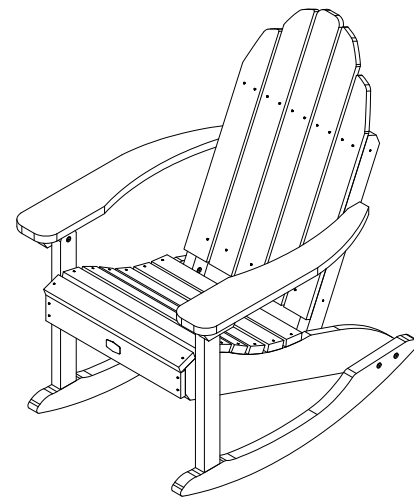


# Mountain Bluff Collection Essential Rocking Chair

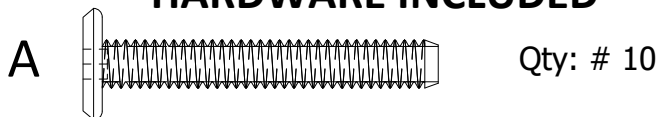
## Assembly Guide



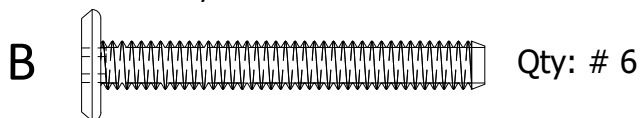
### IMPORTANT!

DO NOT fully tighten the bolts until all bolts are started.  
Once all bolts are inserted, go back & tighten all the bolts.

#### HARDWARE INCLUDED

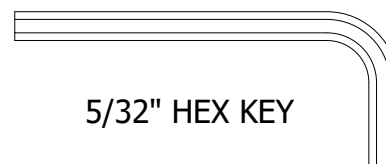


1/4"-20 x 1.75"



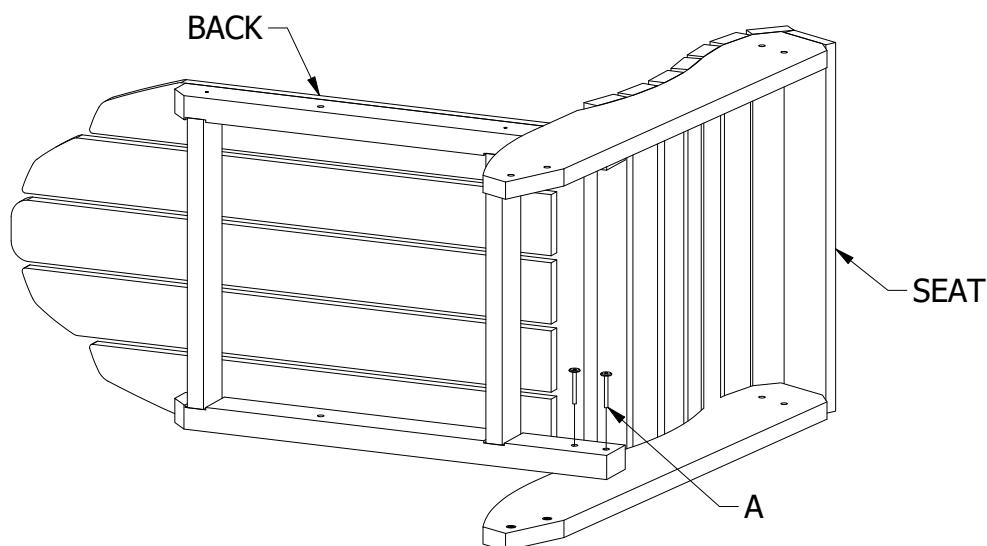
1/4"-20 x 2"

#### TOOLS INCLUDED



5/32" HEX KEY

- 1) With the Back and Seat on their sides, attach one side of the Back to the Seat using two A bolts.
- 2) Repeat on other side.



ELK OUTDOORS  
by **highwood**

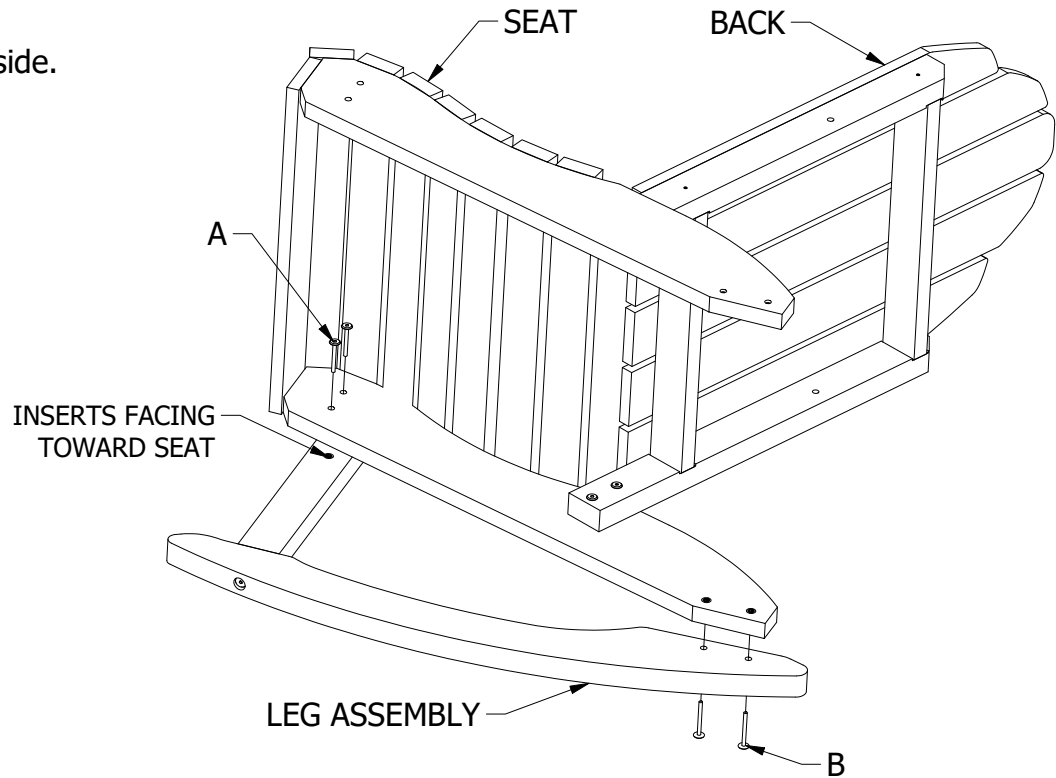
For information on Care and Cleaning or to Register your ELK OUTDOORS by *highwood*® product, please visit [www.highwood-usa.com](http://www.highwood-usa.com).

EO-ROCCW2  
4/23/21

PAGE 1 OF 2

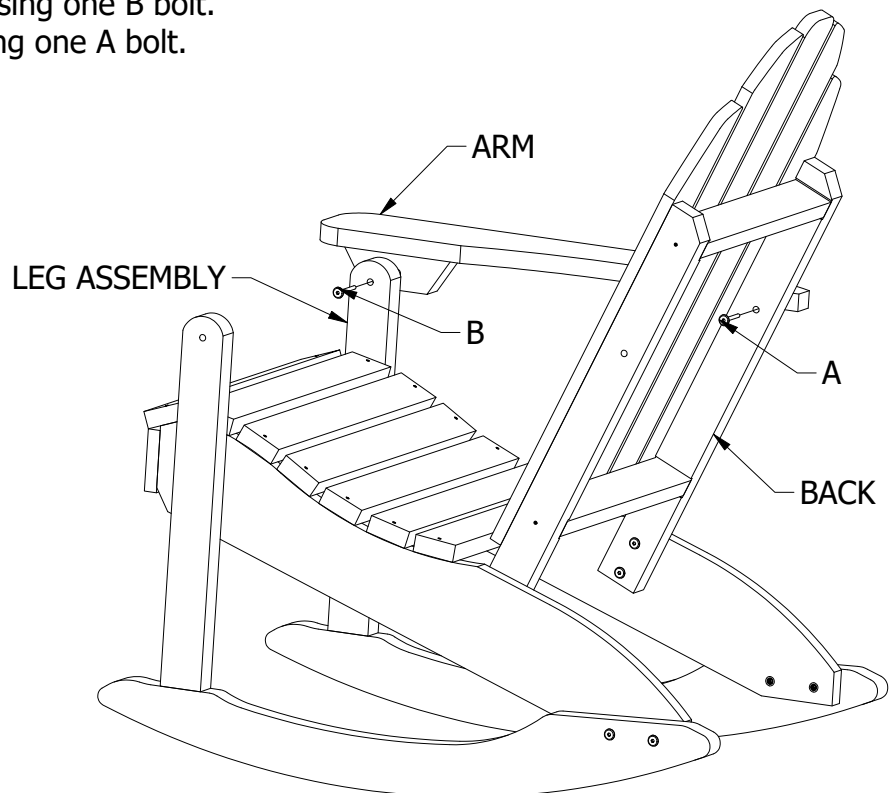
**3)** Attach front of Leg Assembly to Seat using two A bolts. Attach back of Leg Assembly to Seat using two B bolts.

**4)** Repeat on other side.



**3)** Attach Arm Assembly to Leg using one B bolt. Attach Arm Assembly to Back using one A bolt.

**4)** Repeat on other side.



ELK OUTDOORS  
by **highwood**

For information on Care and Cleaning or to Register your ELK OUTDOORS by *highwood*® product, please visit [www.highwood-usa.com](http://www.highwood-usa.com).

EO-ROCCW2  
4/23/21

PAGE 2 OF 2