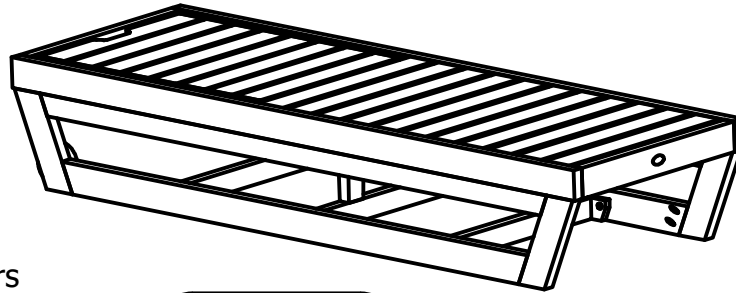
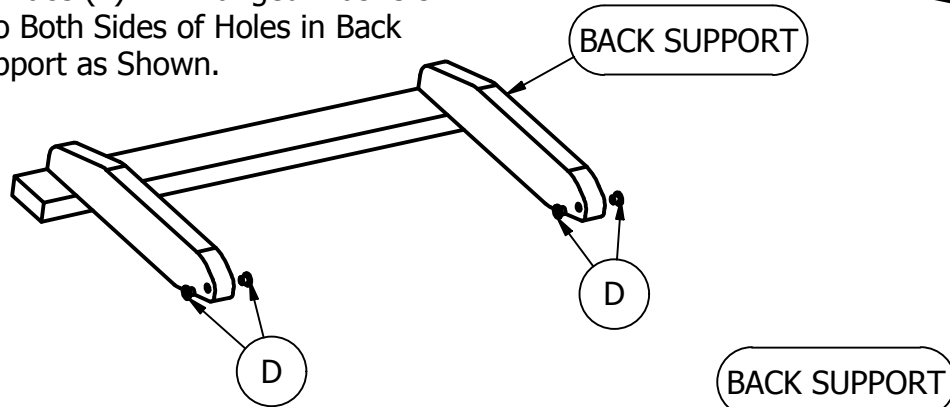


Sequoia Professional Pinehurst Chaise Lounge

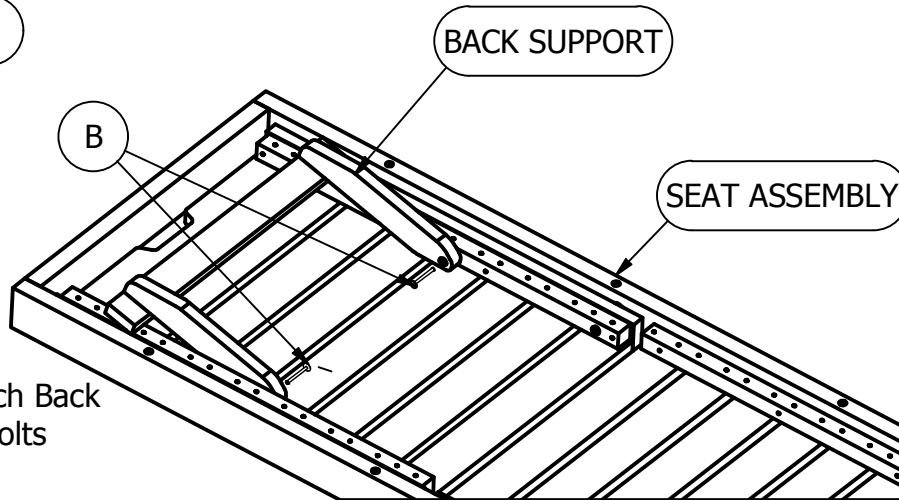
Assembly Guide



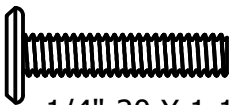
1) Place (4) "D" Flanged Washers into Both Sides of Holes in Back Support as Shown.

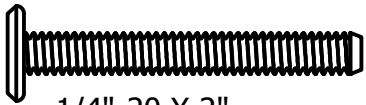


2) With Seat Assembly Facing Downward, Attach Back Support Using (2) "B" Bolts as Shown.

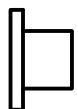


HARDWARE

A  x16
1/4"-20 X 1-1/4"

B  x2
1/4"-20 X 2"

C  x8
1/4"-20 X 3"

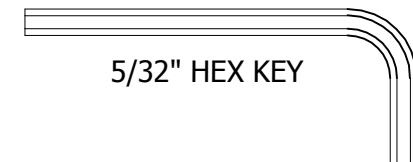
D  x4
Flanged Washer

IMPORTANT!

DO NOT fully tighten the bolts until all bolts are started. Once all bolts are inserted, go back & tighten all the bolts.

Retain these instructions for future reference

INCLUDED TOOLS



SEQUOIA
PROFESSIONAL
by highwood®

For information on Care and Cleaning or to register your SEQUOIA PROFESSIONAL product by highwood®, please visit www.highwood-usa.com.

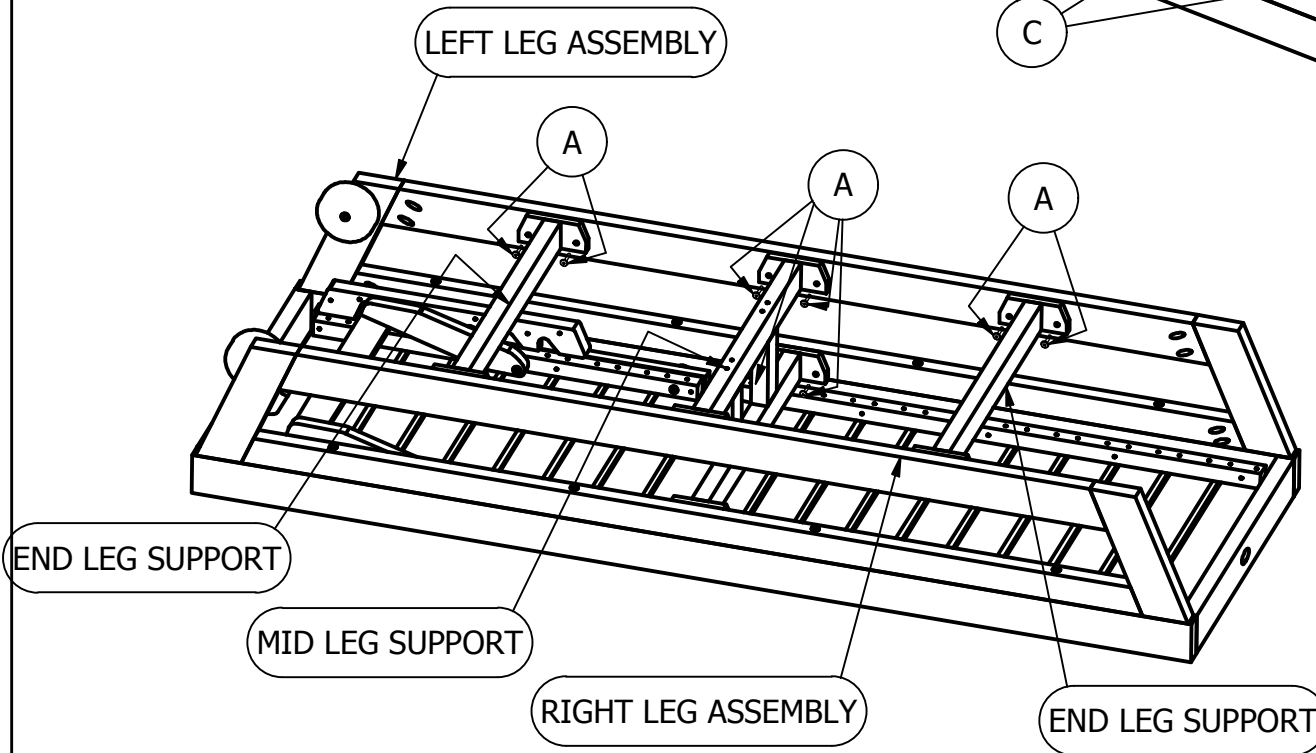
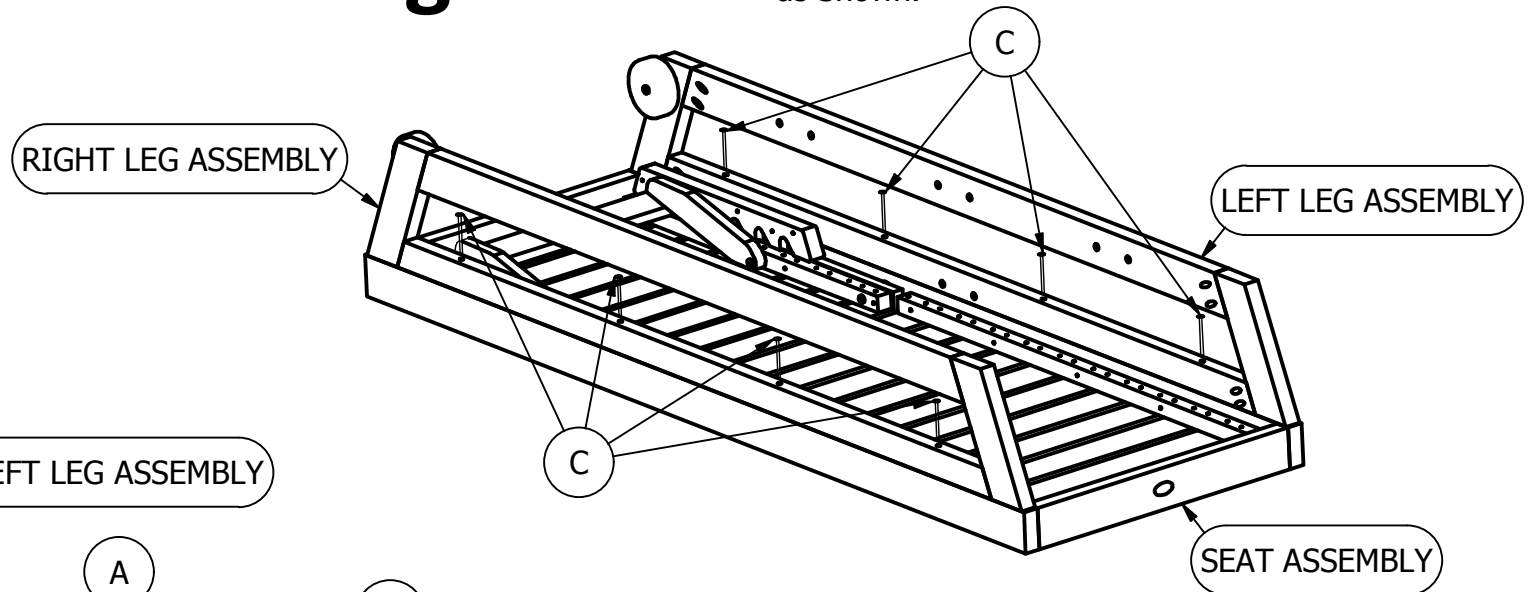
CM-LNGSQ61
03.05.19

PAGE 1 OF 2

Sequoia Professional Pinehurst Chaise Lounge

Assembly Guide

3) Attach Right & Left Leg Assemblies to Seat Assembly Using (8) "C" Bolts as Shown.



4) Attach Mid Leg Support to Left Leg Assembly Using (4) "A" Bolts.

5) Attach Each End Leg Support to Left Leg Assembly Using (2) "A" Bolts.

6) Repeat Steps 4 & 5 for Right Leg Assembly & Tighten All Bolts.

7) With Help From Another Person, Rotate Lounge Into the Upright Position.



SEQUOIA
PROFESSIONAL
by highwood®

For information on Care and Cleaning or to register your SEQUOIA PROFESSIONAL product by *highwood*®, please visit www.highwood-usa.com.

CM-LNGSQ61
03.05.19

PAGE 2 OF 2