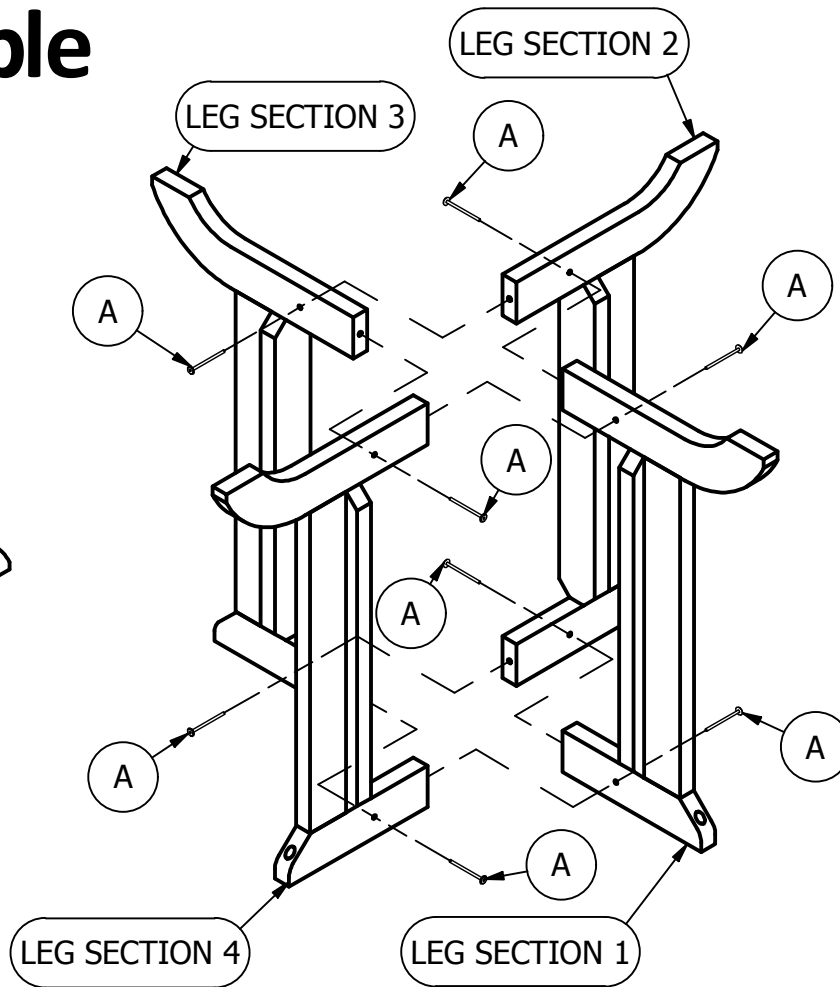
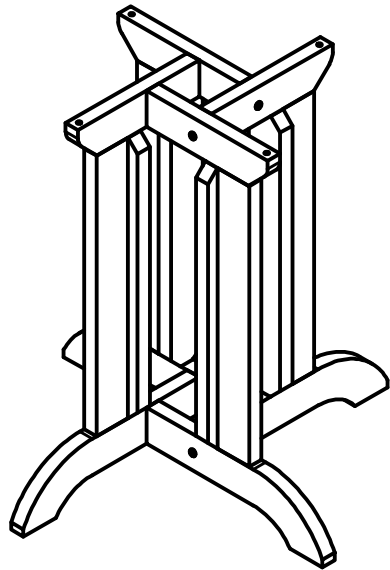


# Sequoia Professional Round Table

## Assembly Guide





**NOTE:** All 4 Leg Sections are Identical and Numbered for Order of Assembly Only.

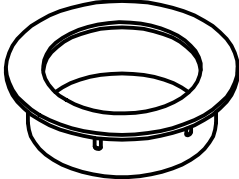
**NOTE:** DO NOT Tighten Bolts Until Table is Fully Assembled.

- 1) Step 1: Attach Leg Section 1 to Leg Section 2 with (2) "A" Bolts.
- 2) Step 2: Attach Leg Section 2 to Leg Section 3 with (2) "A" Bolts.
- 3) Step 3: Attach Leg Section 3 to Leg Section 4 with (2) "A" Bolts.
- 4) Step 4: Attach Leg Section 4 to Leg Section 1 with (2) "A" Bolts.

### HARDWARE

A  X8  
1/4-20 X 3"

B  X4  
1/4-20 X 2"

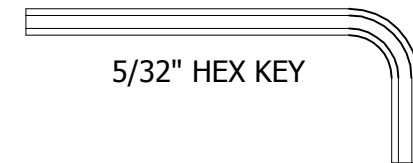
C  X1

### IMPORTANT!

DO NOT fully tighten the bolts until all bolts are started. Once all bolts are inserted, go back & tighten all the bolts.

Retain these instructions for future reference

### INCLUDED TOOLS



5/32" HEX KEY



SEQUOIA  
PROFESSIONAL  
by highwood®

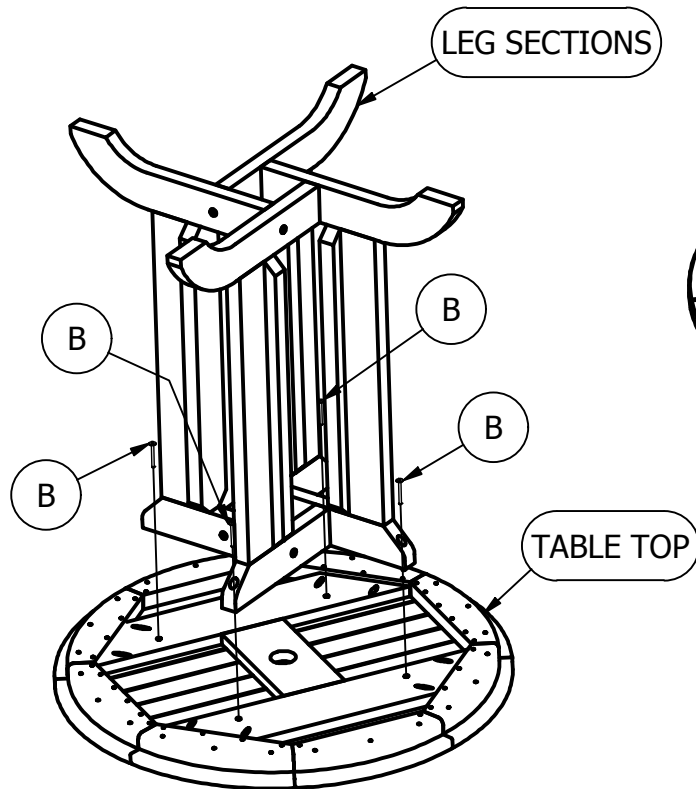
For information on Care and Cleaning or to register your SEQUOIA PROFESSIONAL product by highwood®, please visit [www.highwood-usa.com](http://www.highwood-usa.com).

CM-PEDSQC1  
CM-PEDSQD1  
03.05.19

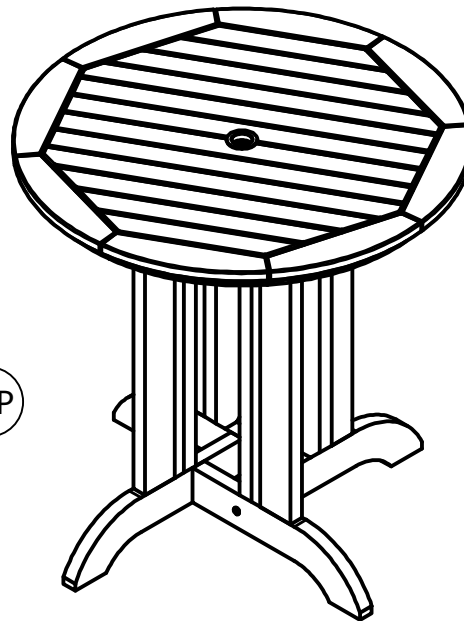
PAGE 1 OF 2

# Sequoia Professional Round Table

## Assembly Guide



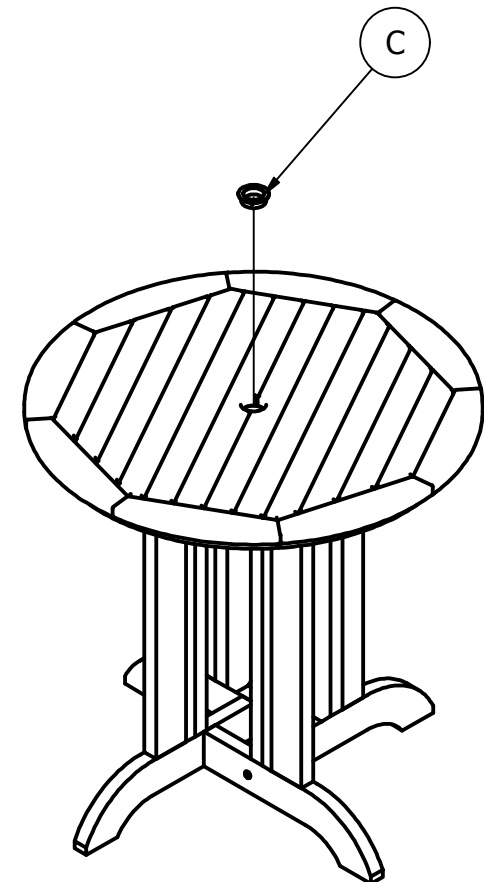
**5)** Step 5: Attach Leg Sections to Table Top with (4) "B" Bolts.



**6)** Step 6: Turn the Table Upright on a Flat Surface.

**7)** Step 7: Tighten all (4) "B" Bolts.

**8)** Step 8: Tighten all (8) "A" Bolts.



**9)** Step 9: Install Umbrella Grommet "C" in the Top of the Table.



SEQUOIA  
PROFESSIONAL  
by **highwood**<sup>®</sup>

For information on Care and Cleaning or to register your SEQUOIA PROFESSIONAL product by *highwood*<sup>®</sup>, please visit [www.highwood-usa.com](http://www.highwood-usa.com).

CM-PEDSQC1  
CM-PEDSQD1  
03.05.19

PAGE 2 OF 2