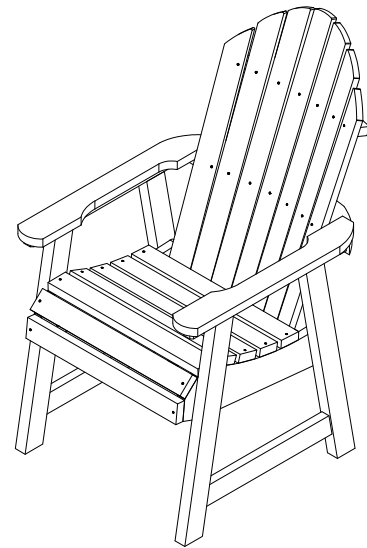


# Sequoia Professional Muskoka Deck Chair

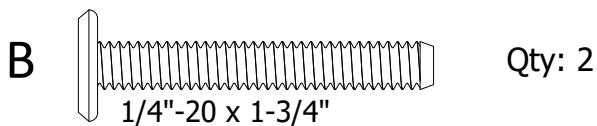
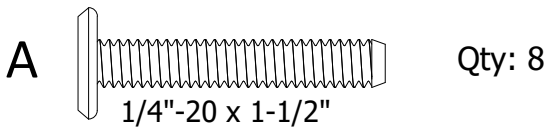
## Assembly Guide



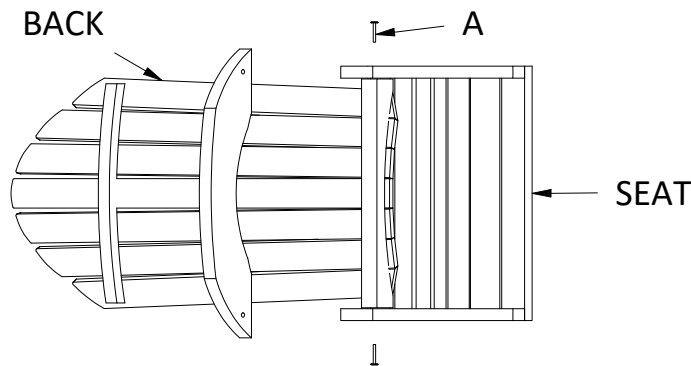
### IMPORTANT!

DO NOT fully tighten the bolts until all bolts are started. Once all bolts are inserted, go back & tighten all the bolts.

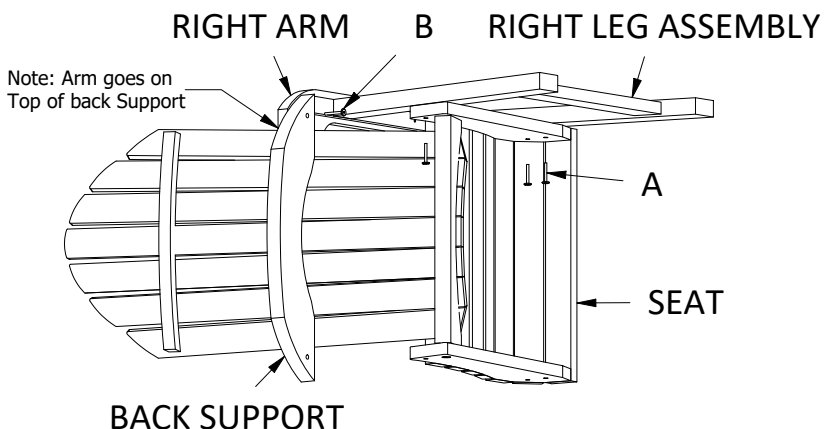
### HARDWARE INCLUDED



### TOOLS INCLUDED



**1)** Insert (1) "A" Bolt into Lower Hole on Each Side to Attach Seat to Back. Make Sure the Back is Fully Upright. Make Bolts Snug, but Do Not Overtighten.



**2)** With the Chair Laying on its Left Side, Attach the Right Leg Assembly to the Seat using (3) "A" bolts.

**3)** Attach Right Arm to the Back Support Using (1) "B" Bolt.

**4)** Flip Chair and Lay on Right Side. Repeat for Left Leg Assembly.



SEQUOIA  
PROFESSIONAL  
by **highwood**

For information on Care and Cleaning or to Register your SEQUOIA PROFESSIONAL product by *highwood*<sup>®</sup>, please visit [www.highwood-usa.com](http://www.highwood-usa.com).

CM-CHRSQD2  
08.17.2021

PAGE 1 OF 1