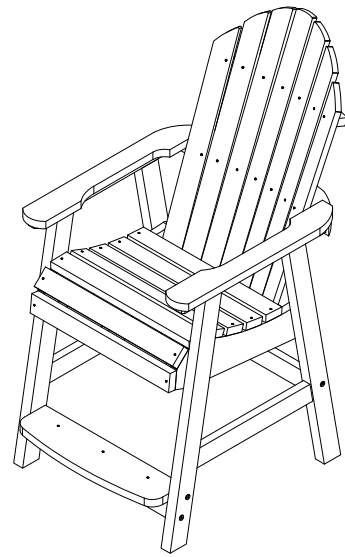


# Sequoia Professional Muskoka Deck Chair Counter Height

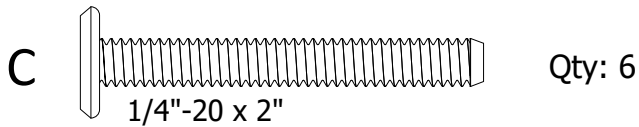
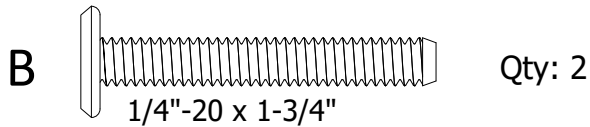
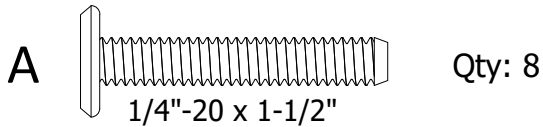
## Assembly Guide



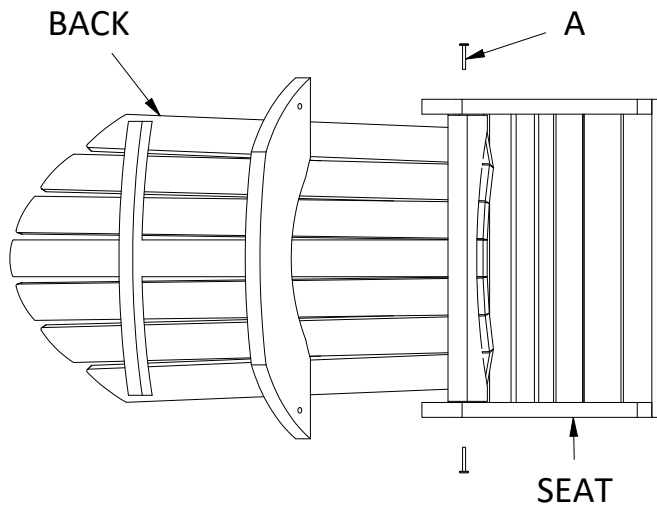
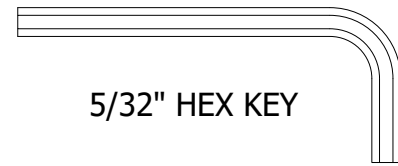
### IMPORTANT!

DO NOT fully tighten the bolts until all bolts are started.  
Once all bolts are inserted, go back & tighten all the bolts.

### HARDWARE INCLUDED



### TOOLS INCLUDED



**1)** Insert (1) "A" Bolt into Lower Hole on Each Side to Attach Seat to Back. Make Sure the Back is Fully Upright. Make Bolts Snug, but Do Not Overtighten.

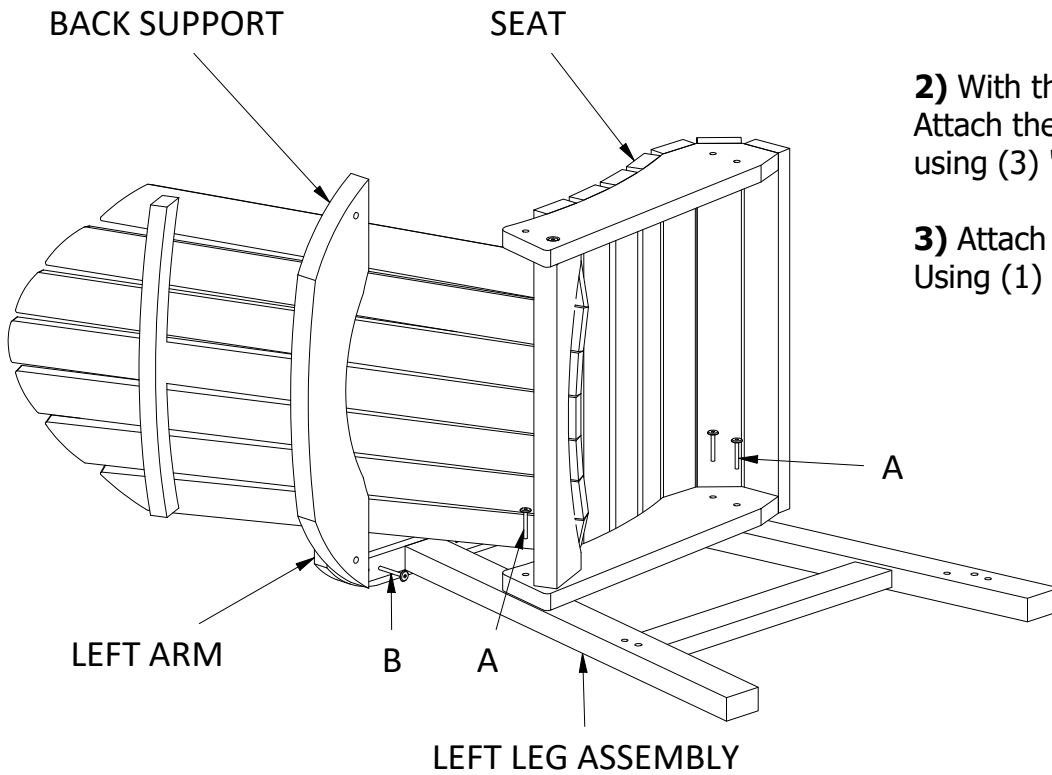


SEQUOIA  
PROFESSIONAL  
by **highwood**

For information on Care and Cleaning or to Register your  
SEQUOIA PROFESSIONAL product by *highwood*<sup>®</sup>, please visit  
[www.highwood-usa.com](http://www.highwood-usa.com).

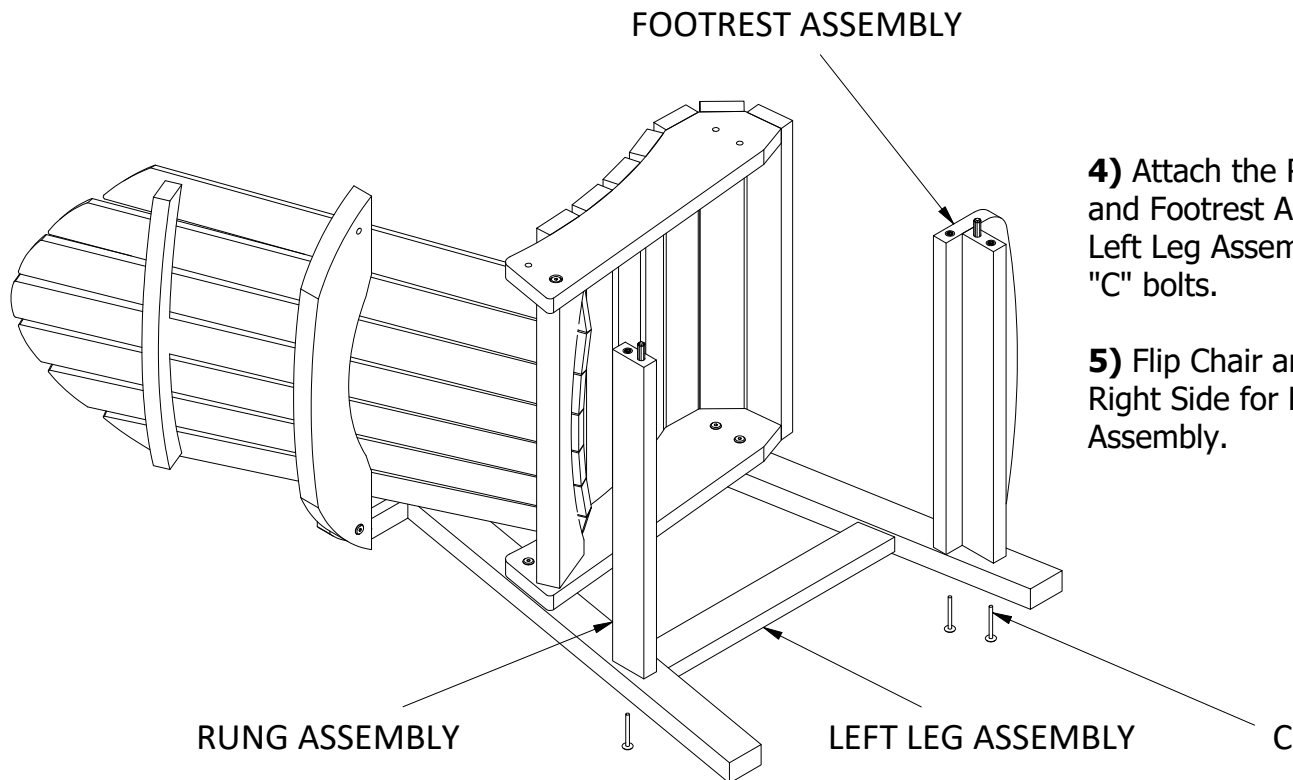
CM-CHRSQC2  
08.17.2021

PAGE 1 OF 2



**2)** With the Chair Laying on its Left Side, Attach the Left Leg Assembly to the Seat using (3) "A" bolts.

**3)** Attach Left Arm to the Back Support Using (1) "B" Bolt.



**4)** Attach the Rung Assembly and Footrest Assembly to the Left Leg Assembly using (3) "C" bolts.

**5)** Flip Chair and Repeat on Right Side for Right Leg Assembly.

