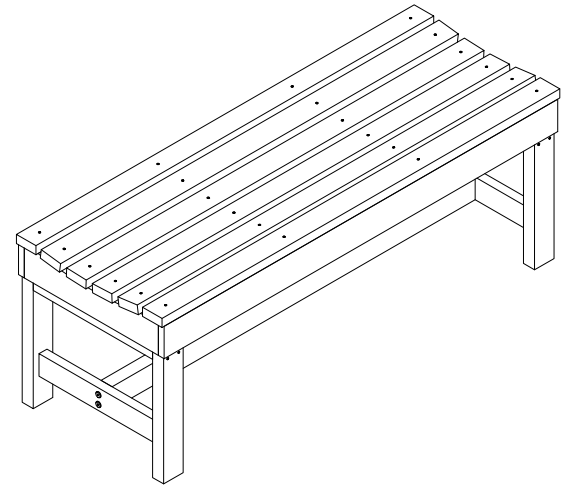


Sequoia Professional Weldon Picnic Bench 4ft

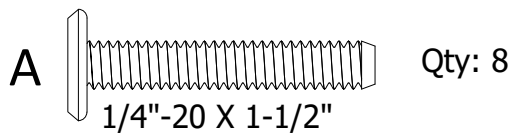
Assembly Guide



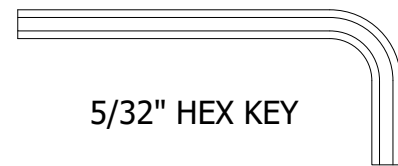
IMPORTANT!

DO NOT fully tighten the bolts until all bolts are started.
Once all bolts are inserted, go back & tighten all the bolts.

HARDWARE INCLUDED



TOOLS INCLUDED



1) Attach the Leg Assemblies to the Seat Assembly using (4) "A" Bolts as shown in **FIGURE 1**.

2) Attach the Brace to the Leg Assemblies using (4) "A" Bolts as shown in **FIGURE 2**.

FIGURE 1:

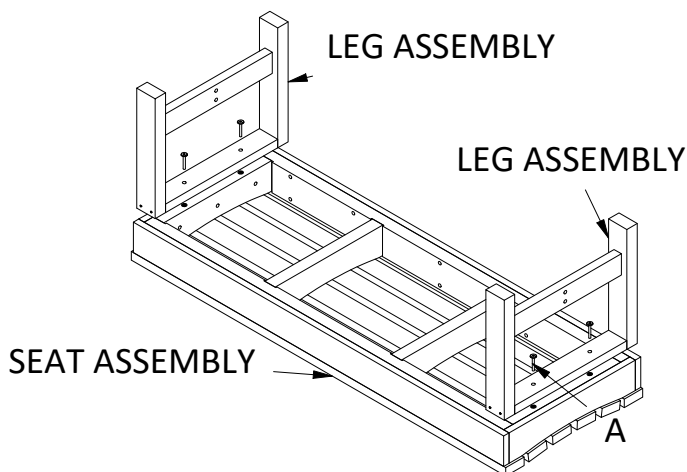
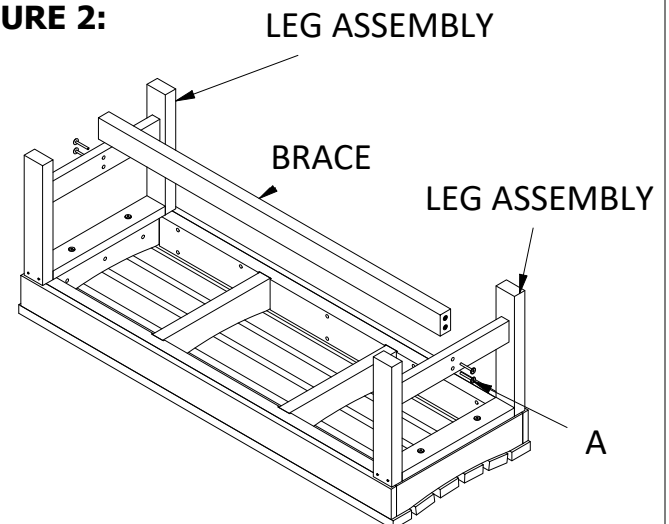


FIGURE 2:



SEQUOIA
PROFESSIONAL
by **highwood**

For information on Care and Cleaning or to Register your
SEQUOIA PROFESSIONAL product by *highwood*[®], please visit
www.highwood-usa.com.

CM-BENSQ41
08.31.2021

PAGE 1 OF 1