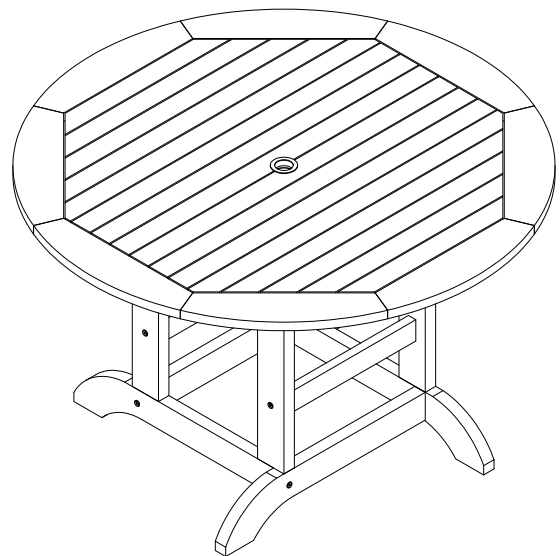


Dining Collection

Round Tables

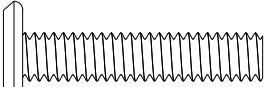
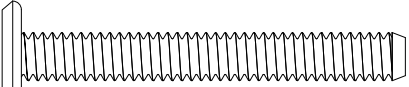
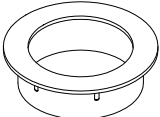
Assembly Guide



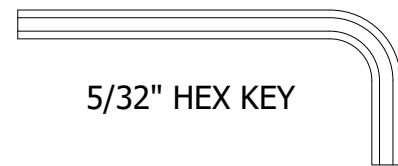
IMPORTANT!

DO NOT fully tighten the bolts until all bolts are started. Once all bolts are inserted, go back & tighten all the bolts.

HARDWARE INCLUDED

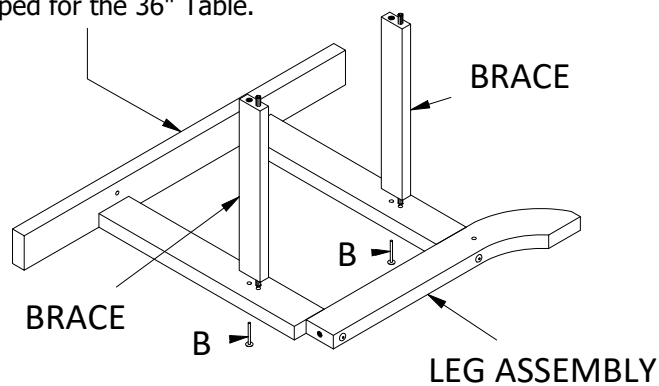
- A**  Qty: 4
1/4"-20 X 1.25"
- B**  Qty: 8
1/4"-20 X 2"
- C**  Qty: 1
2" UMBRELLA GROMMET

TOOLS INCLUDED

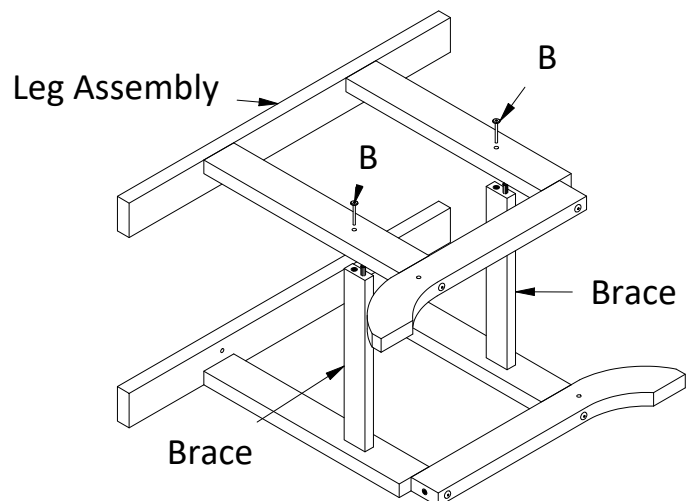


Pedestal Assembly

The Top Support on the Leg Assembly will look like this for the 48" Table and will be flipped for the 36" Table.

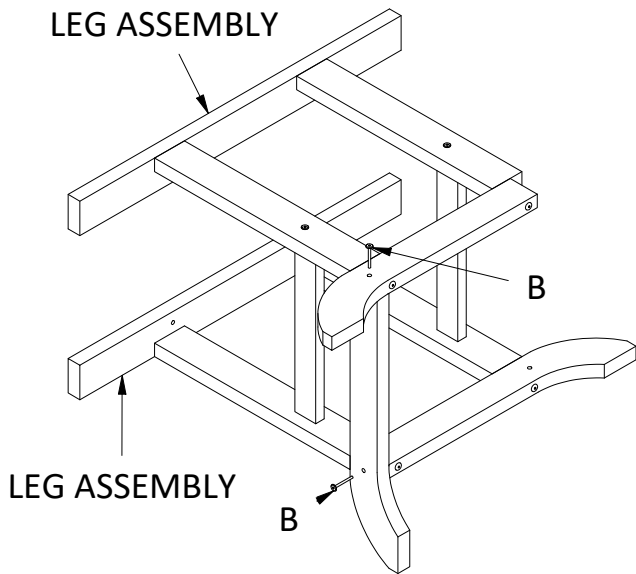


1) Attach the (2) Braces to the Leg Assembly with (2) B Bolts.

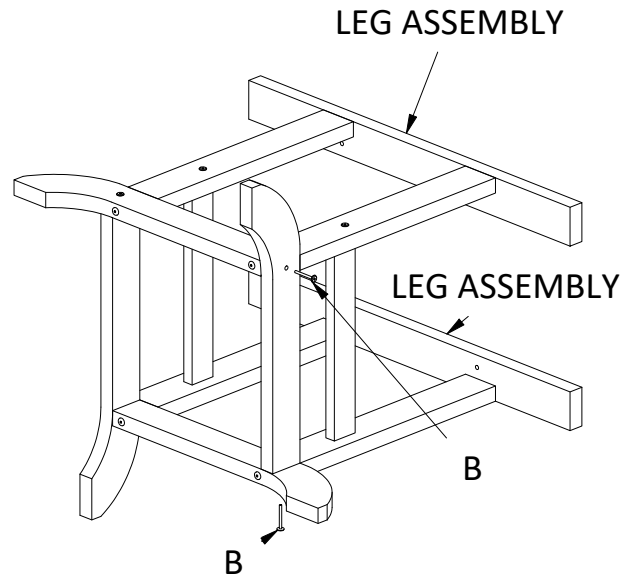


2) Attach the Leg Assembly to the (2) Braces with (2) B Bolts.

Pedestal Assembly

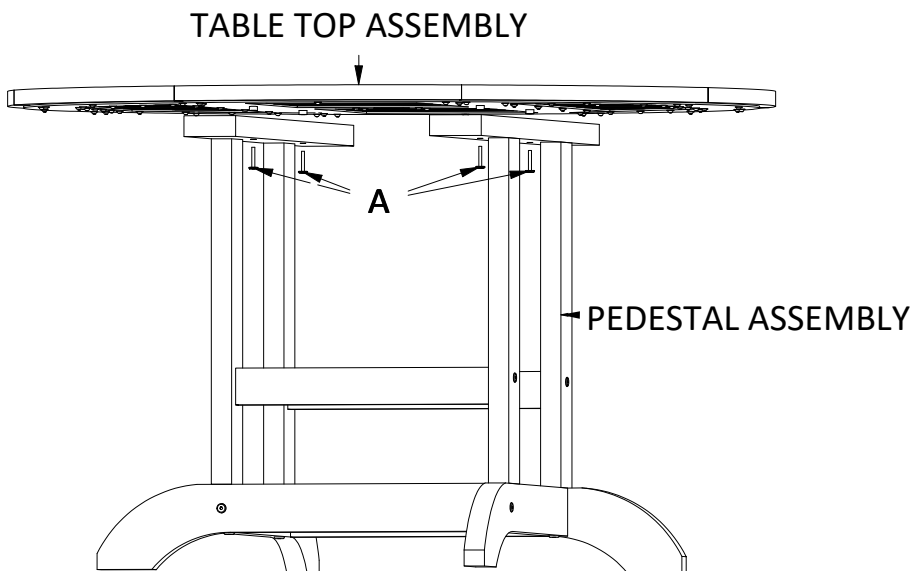


3) Attach the Foot to both of the Leg Assemblies with (2) B Bolts.



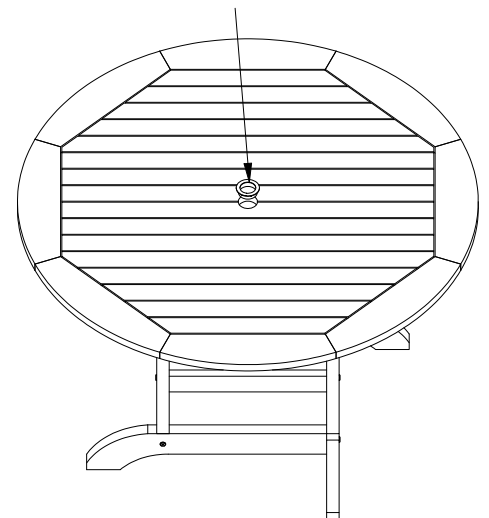
4) Attach the Foot to both of the Leg Assemblies with (2) B Bolts.

Overall Table Assembly



5) Place the Table Top Assembly on the Pedestal Assembly and attach together using (4) A Bolts.

2" UMBRELLA GROMMET



6) Place the 2" UMBRELLA GROMMET in the center hole of the Table Top Assembly.