

# Home and Garden Collection Stonecroft Shutter

## Assembly Guide

**1)** Place the Shutter Next to the Window and Mark the Desired Location of the Shutter. If Installing the Shutter on Brick, the Mounting Screws Should be Positioned to Be in Line with the Mortar Joints.

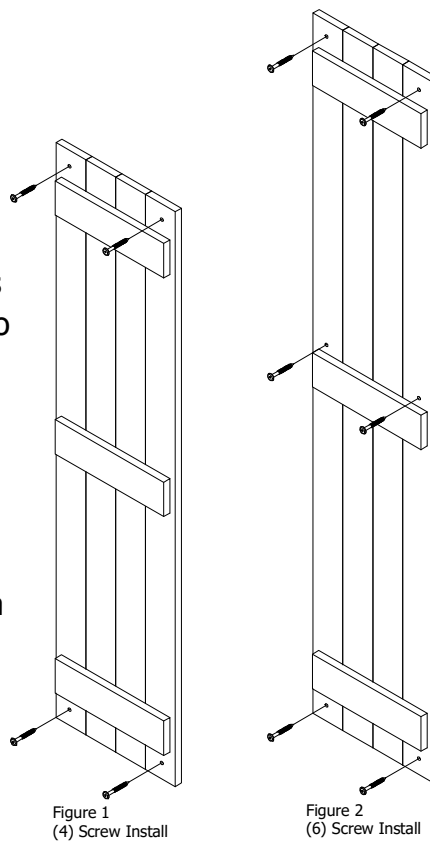
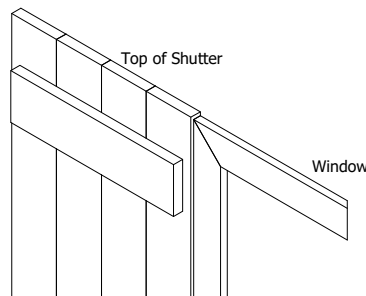
**2)** When Installing Shutters Smaller than 55", Drill (4)  $\frac{5}{16}$ " Holes into the Shutter ONLY, in the Locations Shown in Figure 1 to the Right.

When Installing Shutters 55" and Larger, Drill (6)  $\frac{5}{16}$ " Holes into the Shutter ONLY, in the Locations Shown in Figure 2 to the Right.

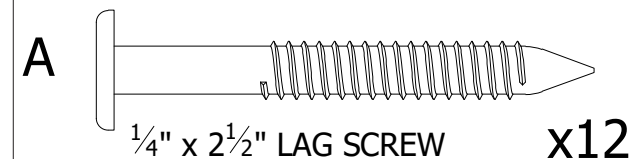
**3)** Place the Shutter Next to the Window and Secure it Using Either (4) or (6) of the "A" Bolts Provided. If a Pilot Hole is Desired, Use a  $\frac{3}{16}$ " Drill Bit to Pre-drill into the Wall.

For Masonry Installations, Use a Masonry Anchor Sized for a  $\frac{1}{4}$ " Fastener. Pre-drill into the Wall Using the Appropriate Size Drill Bit and Insert an Anchor into Each Hole. Secure the Shutter using the Same "A" Bolts from Above.

See Reverse Side for Details on Painting Your Stonecroft Shutters

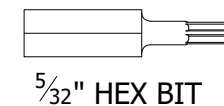


### HARDWARE



**IMPORTANT!**  
DO NOT fully tighten the bolts until all bolts are started. Once all bolts are inserted, go back & tighten all the bolts.  
Retain these instructions for future reference

### INCLUDED TOOLS



### CUSTOMER-SUPPLIED TOOLS

Cordless screwdriver/drill

# Painting Your Stonecroft Shutters

Your **Highwood** shutters are ready for paint. Choose any color to match your trim, coordinate with your windows and doors, or accent the facade of your home. Any high-quality exterior grade paint can be used. Acrylic enamels and alkyd (oil-based) paints will provide the best performance. No sanding or priming is necessary. Ensure the shutters are free of dust and any other foreign material, then simply brush, roll, or spray [airless sprayer] with your preferred quality exterior paint. Do not use canned spray paint that contains any aromatic hydrocarbon (e.g., xylene, toluene).

Suggested brands include:

- Rust Oleum Oil-Based Enamels
- HGTV Home by Sherwin Williams Weathershield Exterior Paint
- Valspar Duramax Exterior Paint
- Behr Ultra Exterior Paint