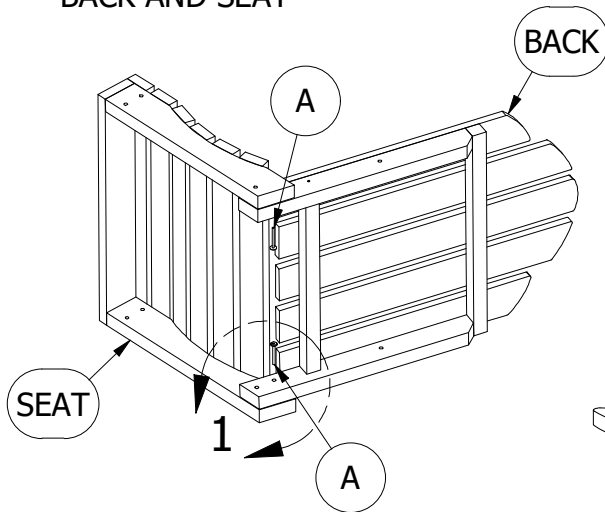
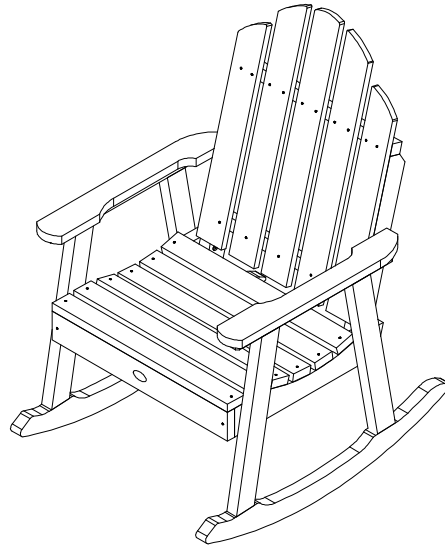
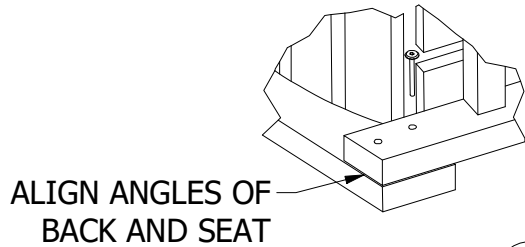


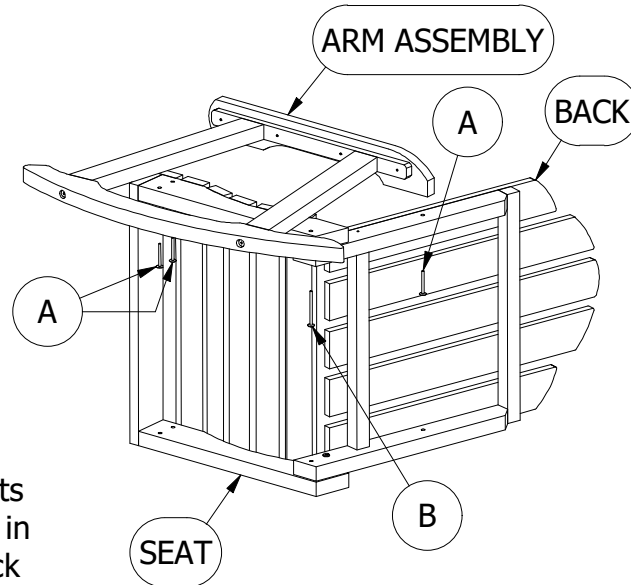
Adirondack Collection Classic Garden Rocking Chair

Assembly Guide



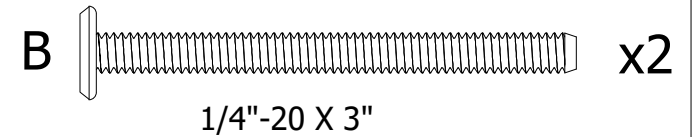
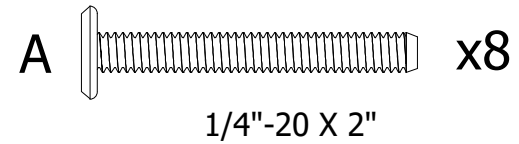
1) Attach Chair Back to Seat using (1) "A" Bolt in the Upper Hole on Each Side

2) Attach Arm Assembly to Seat using (2) "A" Bolts in Front and (1) "B" Bolt in Rear. Attach Arm to Back using (1) "A" Bolt.



3) Repeat on Other Side.

HARDWARE

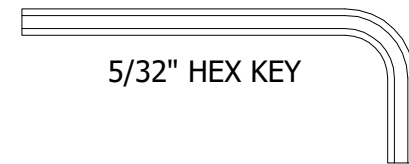


IMPORTANT!

DO NOT fully tighten the bolts until all bolts are started. Once all bolts are inserted, go back & tighten all the bolts.

Retain these instructions for future reference

INCLUDED TOOLS



5/32" HEX KEY