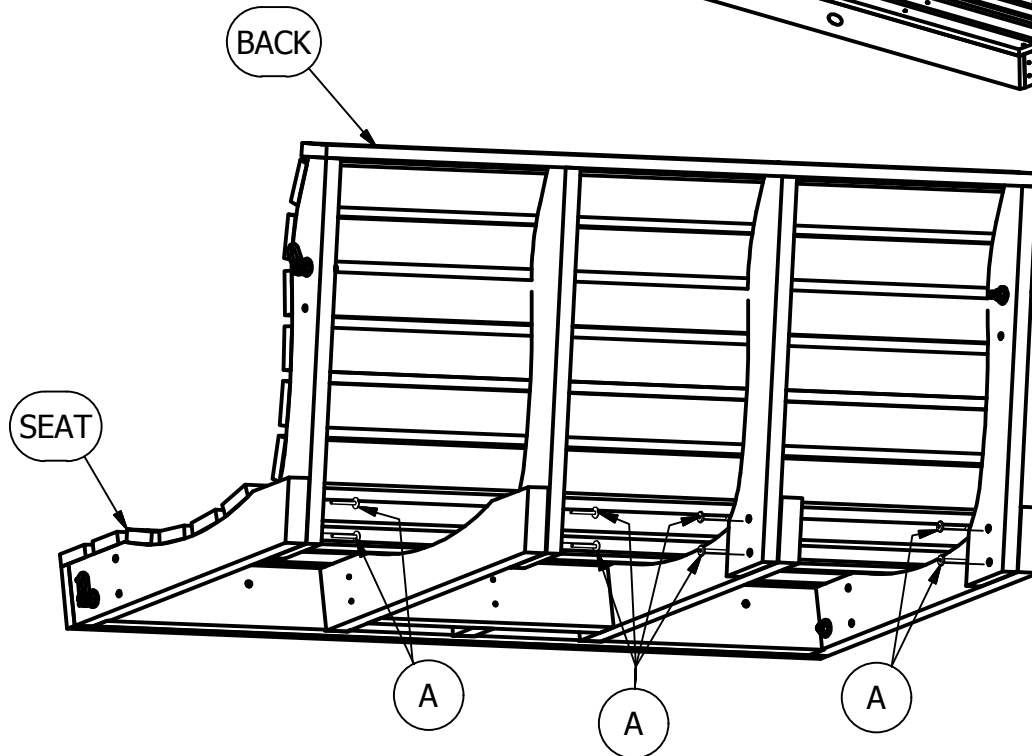
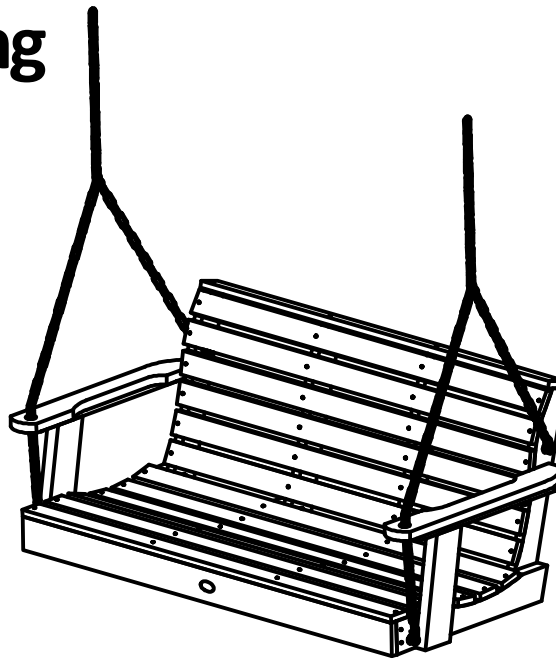


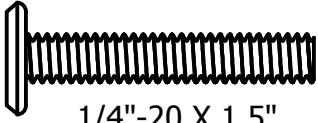
Weatherly Porch Swing

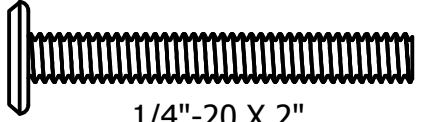
Assembly Guide




1) Attach Back To Seat Using Eight "A" Bolts as Shown.

HARDWARE

A  x 10
1/4"-20 X 1.5"

B  x 4
1/4"-20 X 2"

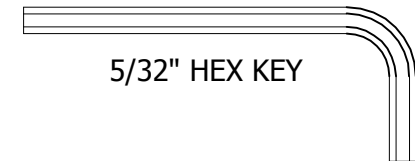
C  x 2

IMPORTANT!

DO NOT fully tighten the bolts until all bolts are started. Once all bolts are inserted, go back & tighten all the bolts.

Retain these instructions for future reference

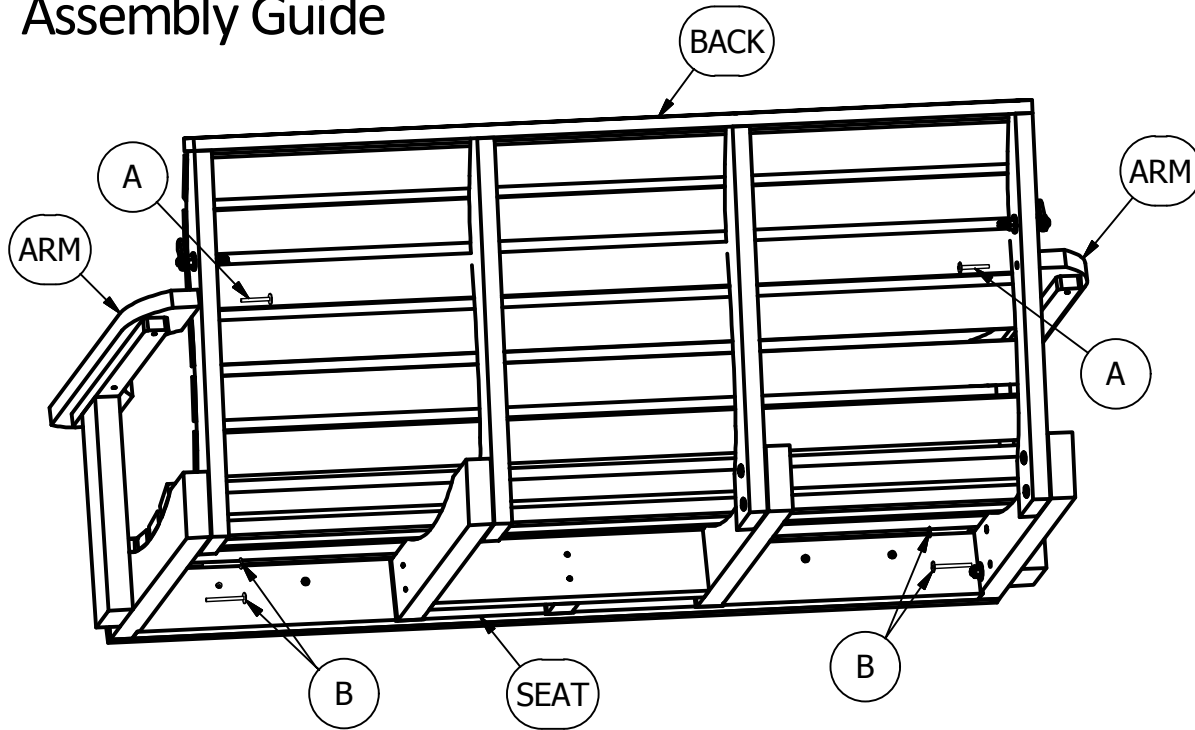
INCLUDED TOOLS



5/32" HEX KEY

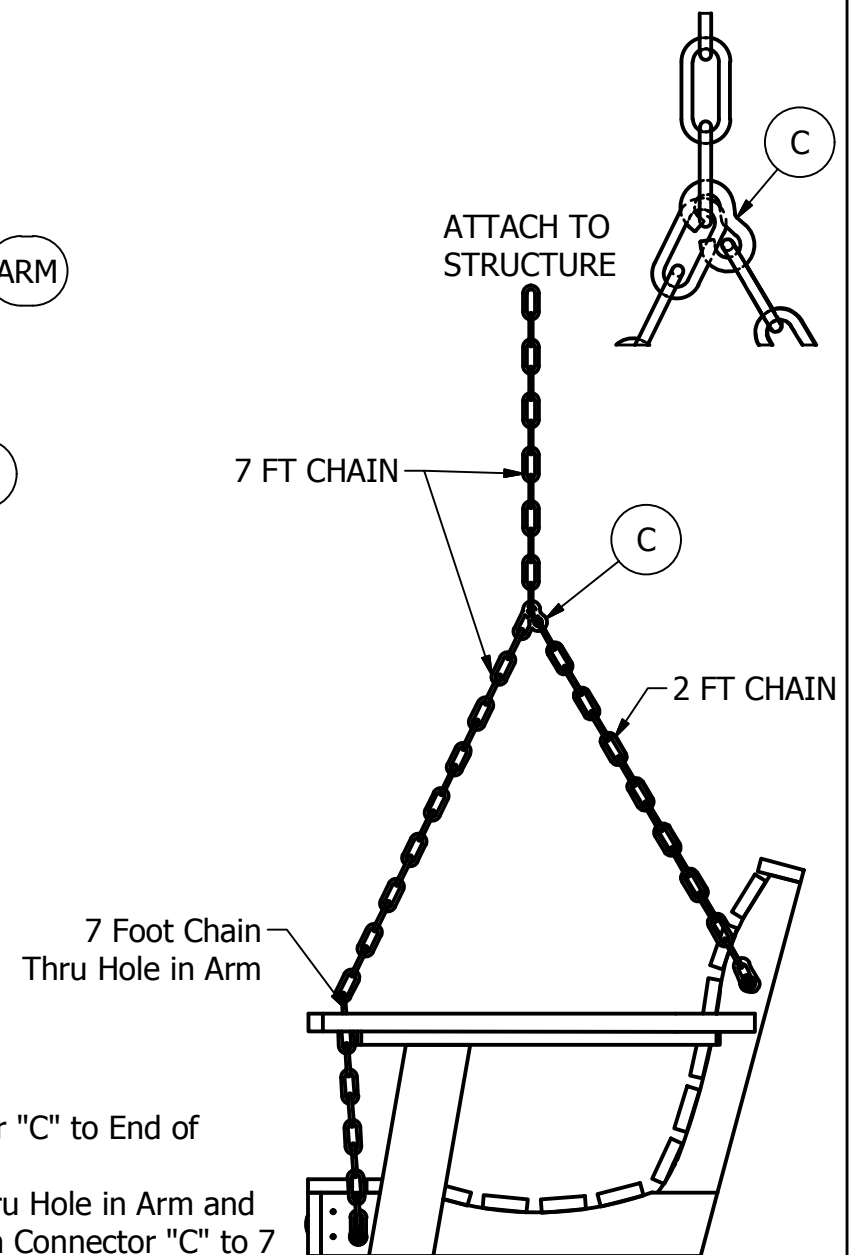
Weatherly Porch Swing

Assembly Guide



3) Attach Arms to Seat Using Four "B" Bolts.

4) Attach Arms to Back Using Two "A" Bolts.



5) Attach Chain Connector "C" to End of 2 Foot Chain.

6) Guide 7 Foot Chain Thru Hole in Arm and Attach Other End Of Chain Connector "C" to 7 Foot Chain so that Arm is Level as Shown.

7) Repeat on Other Side.

8) Attach Ends of 7 Foot Chain to Structure