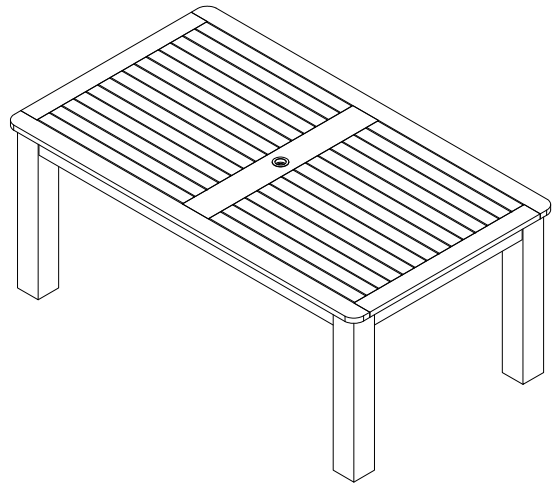


Dining Collection

Rectangular, Square, or Sideboard Tables

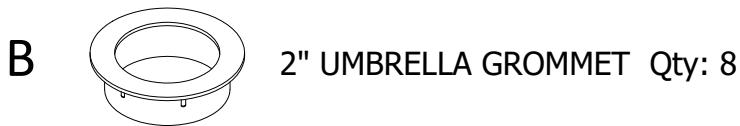
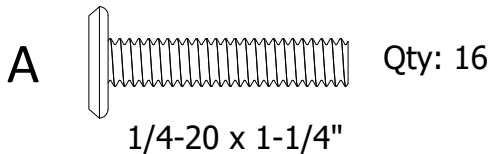
Assembly Guide



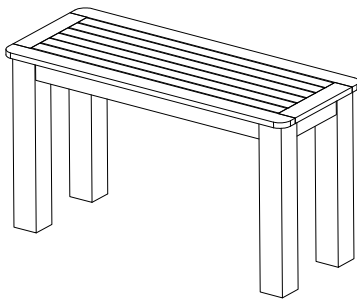
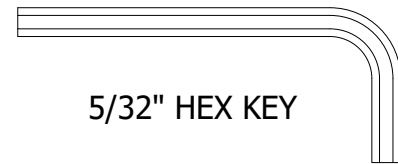
IMPORTANT!

DO NOT fully tighten the bolts until all bolts are started.
Once all bolts are inserted, go back & tighten all the bolts.

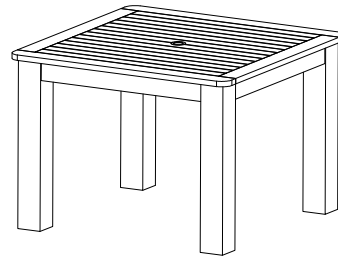
HARDWARE INCLUDED



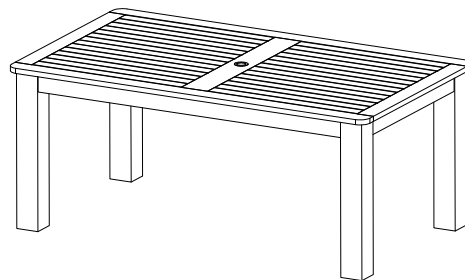
TOOLS INCLUDED



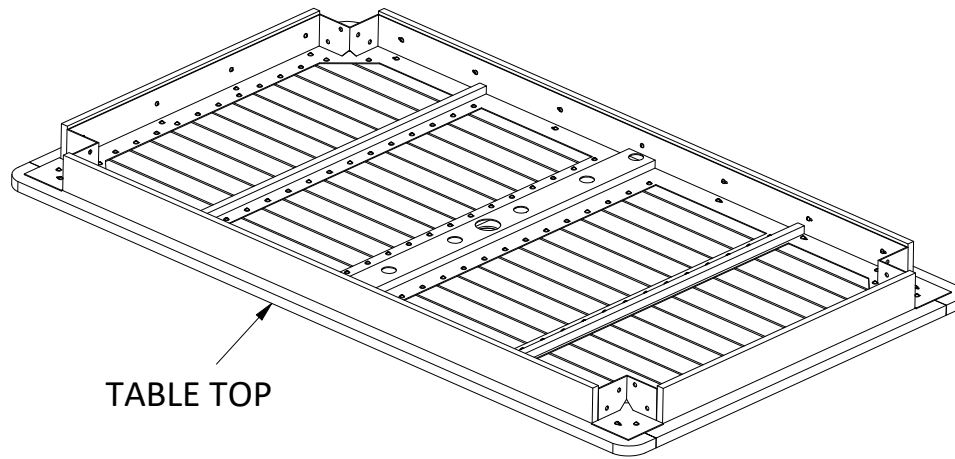
AD-DTB25/AD-CTB25 - 25X54 SIDEBOARD
DINING OR COUNTER HEIGHT SIDEBOARD TABLE



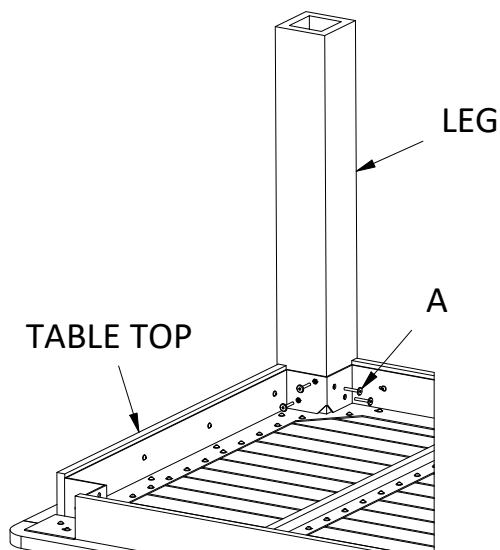
AD-DTB44/AD-CTB44 - 42X42 SQUARE
DINING OR COUNTER HEIGHT DINING TABLE



AD-DTB47/AD-CTB47 - 42X72 RECTANGULAR DINING OR COUNTER HEIGHT DINING TABLE
AD-DTB48/AD-CTB48 - 42X84 RECTANGULAR DINING OR COUNTER HEIGHT DINING TABLE

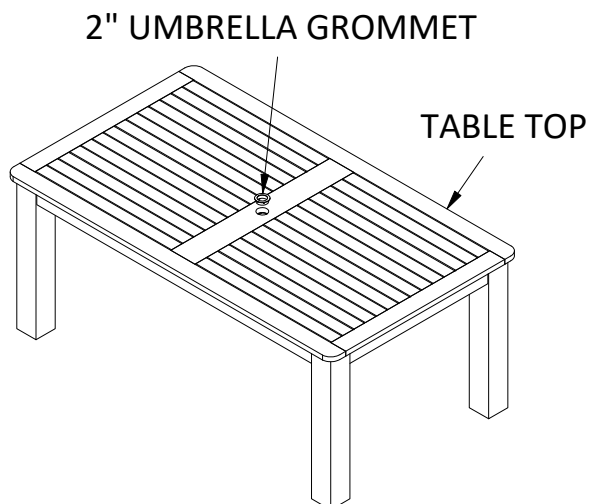


1) Place the Table Top upside down on a soft surface.



2) Attach Leg to Table Top with (4) A Bolts as shown.

3) Repeat for each Leg.



4) If installing an umbrella, insert the 2" UMBRELLA GROMMET in the center hole of the Table Top.