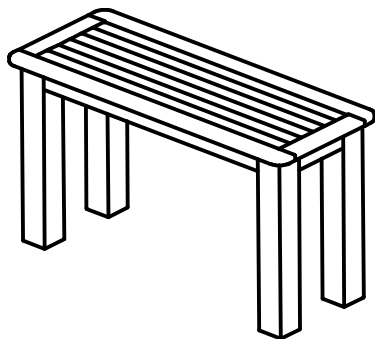
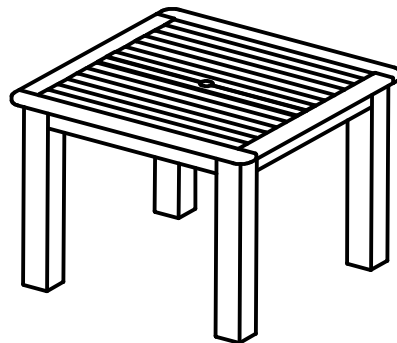


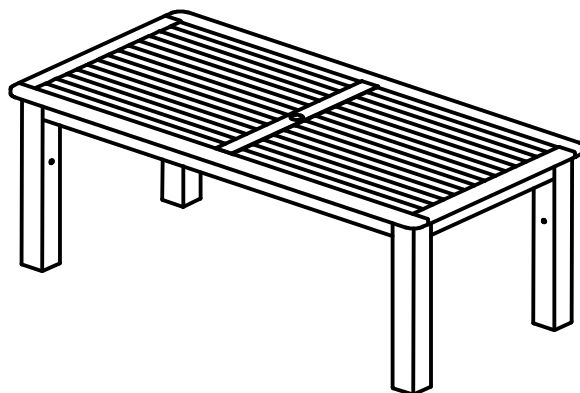
Lehigh, Weatherly, or Adirondack Collection
Rectangular, Square, or Sideboard Tables
Assembly Guide



- AD-DTB25/AD-CTB25 - 22x54 Sideboard or Counter Height Sideboard Table



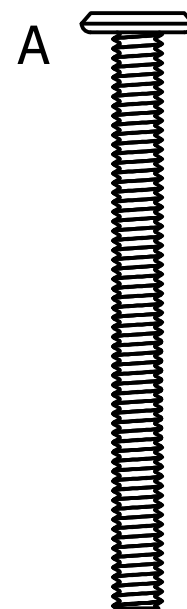
- AD-DTB44/AD-CTB44 - 42x42 Square Dining or Counter Height Dining Table



- AD-DTB37/AD-CTB37 - Rectangular 36x72 Dining or Counter Height Dining Table
- AD-DTB47/AD-CTB47 - Rectangular 42x72 Dining or Counter Height Dining Table
- AD-DTB48/AD-CTB48 - Rectangular 42x84 Dining or Counter Height Dining Table

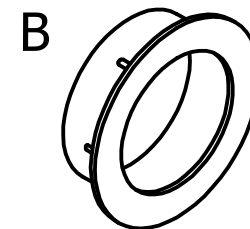
This assembly guide applies to all tables displayed above!

HARDWARE



x8

1/4\"-20 x 3\" Bolt



x1

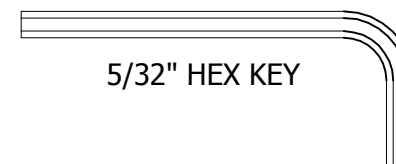
2\" Umbrella Grommet

IMPORTANT!

DO NOT fully tighten the nuts until all nuts are started. Once all nuts are started, go back & tighten all the nuts.

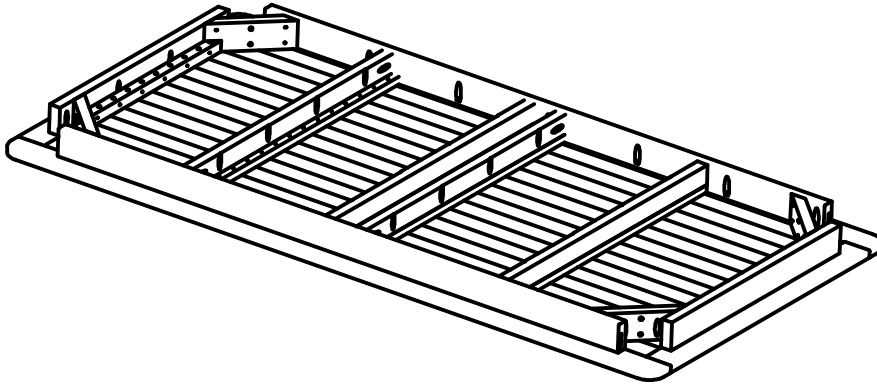
Retain these instructions for future reference

INCLUDED TOOLS

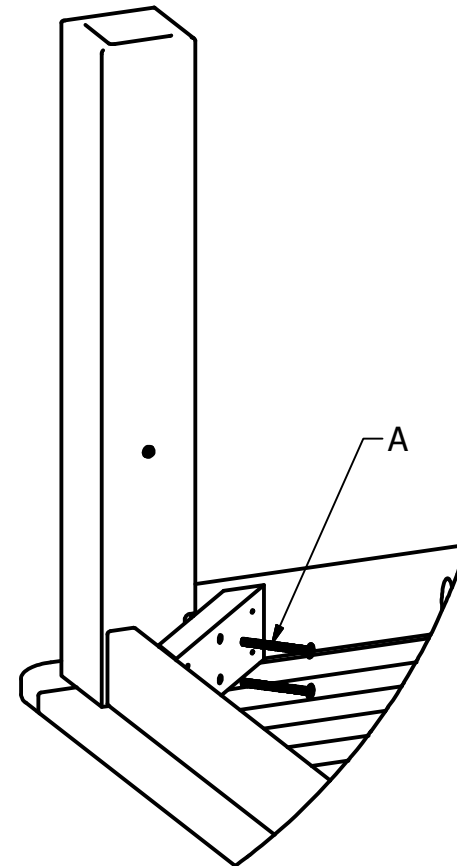
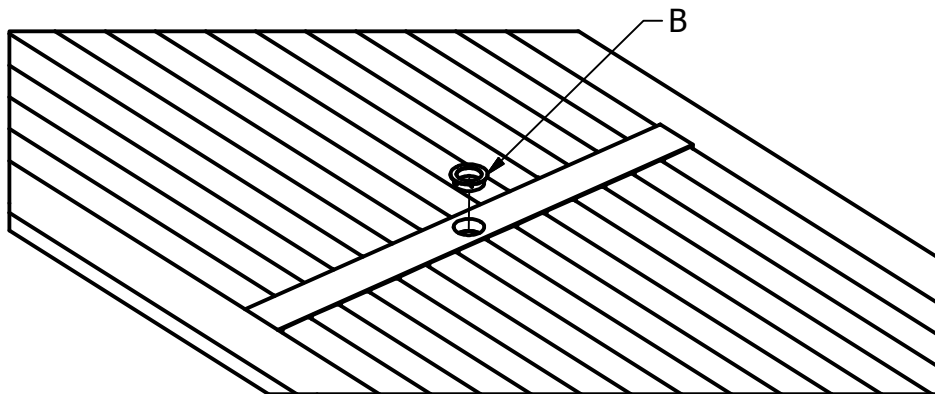


5/32\" HEX KEY

Lehigh, Weatherly, or Adirondack Collection Rectangular, Square, or Sideboard Tables Assembly Guide



1) Place the table top upside down on a soft surface.



- 2) Attach leg with 2 A bolts.
- 3) Repeat for each leg.
- 4) Securely tighten all bolts, but do not over tighten.
- 5) If installing an umbrella, insert Umbrella Grommet B into center hole.