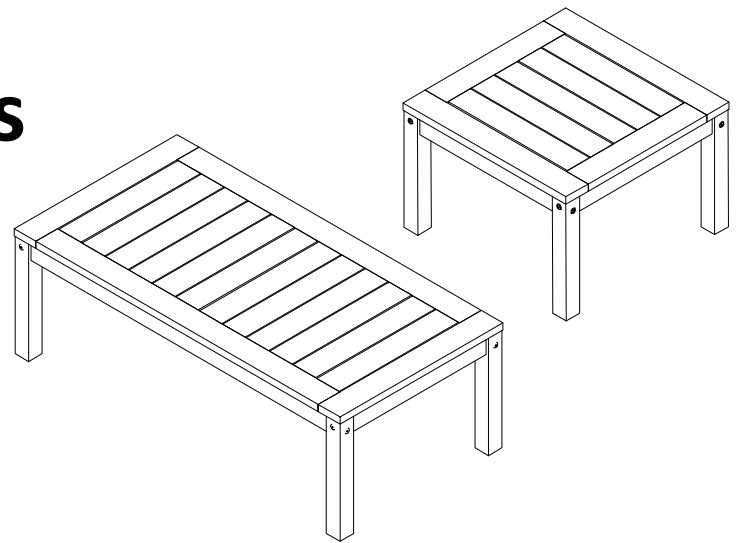


# Adirondack Collection

## Deep Seating Tables

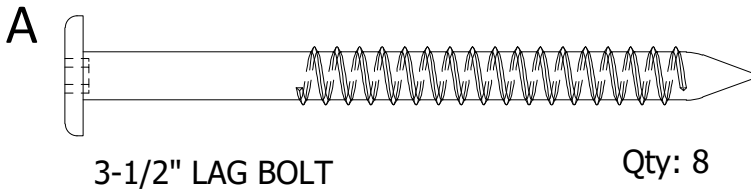
### Assembly Guide



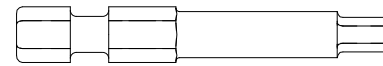
### IMPORTANT!

DO NOT fully tighten the bolts until all bolts are started. Once all bolts are inserted, go back & tighten all the bolts.

#### HARDWARE INCLUDED



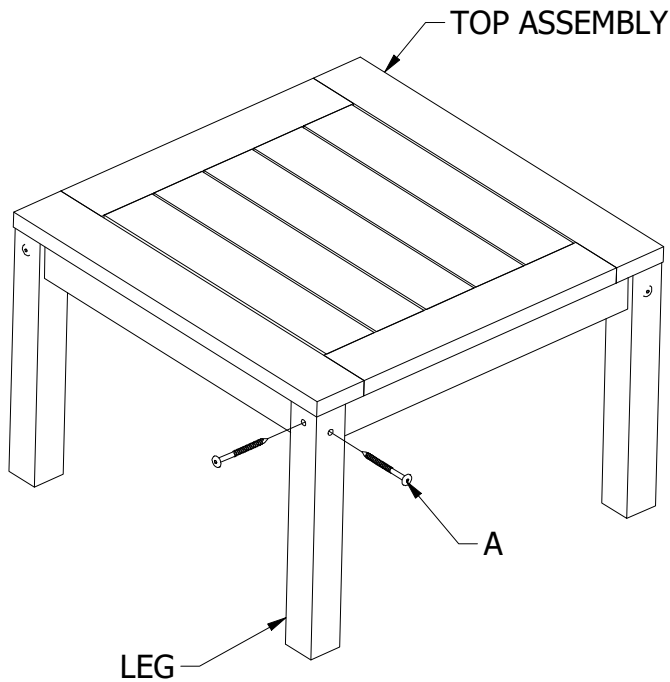
#### TOOLS INCLUDED



5/32" HEX BIT

#### CUSTOMER SUPPLIED TOOLS

Cordless screwdriver/drill



1) Attach leg to table top using (2) A bolts. Drilling a 3/16" pilot hole first will assist in driving the bolts. Repeat for remaining (3) legs.

Note: Orient legs to ensure bolts are aligned horizontally on each side of the table.

